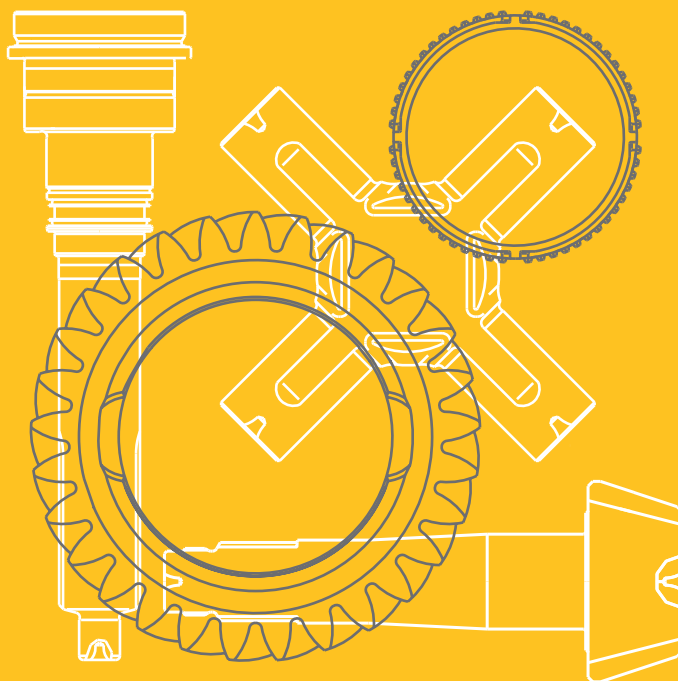


# CEI

HIGH FIDELITY SPARE PARTS

## Renault V.I.



n°  
075



Giugno 2008

1 / 1

# SPARE PARTS



Italia

# CERTIFICATO

Nr 50 100 3413 - Rev. 01

Si attesta che / *This is to certify that*

IL SISTEMA QUALITÀ DI  
THE QUALITY SYSTEM OF

**C.E.I.**

**COSTRUZIONE EMILIANA INGRANAGGI S.p.A.**

**SEDE PRINCIPALE:**

VIA EMILIA 239  
I-40011 ANZOLA EMILIA (BO)

**SEDE PRODUTTIVA:**

VIA DEL LAVORO 78  
I-40056 CREPELLANO (BO)

È CONFORME AI REQUISITI DELLA NORMA  
*HAS BEEN FOUND TO CONFORM TO THE REQUIREMENTS OF*

**UNI EN ISO 9001:2000**

Questo certificato è valido per il seguente campo di applicazione  
*This certificate is valid for the following product or service range*

**Progettazione, produzione e assemblaggi di parti ed  
accessori di ricambio per veicoli industriali (EA 22a)**

***Design, manufacture and assembling of spare parts and  
accessories for industrial vehicles (EA 22a)***

Data/date

2006-10-11

**SINCERT**

ACCREDITAMENTO ORGANISMI DI CERTIFICAZIONE E ISPEZIONE

SGQ N° 049A  
SGA N° 018D  
SCR N° 009F  
SSI N° 005G  
PRD N° 081B

Membro degli Accordi di Mutuo Riconoscimento EA e IAF  
Signatory of EA and IAF Mutual Recognition Agreements

Per l'Organismo di Certificazione  
For the Certification Body  
**TÜV Italia S.r.l.**

  
**Alessio Galiazso**  
Technical Responsible



**Rinnovo del certificato emesso per la prima volta in data 2003-10-21**

*"La validità del presente certificato è subordinata a sorveglianza periodica a 12 mesi e al riesame completo del sistema di gestione aziendale con periodicità triennale"*

*"The validity of the present certificate depends on the annual surveillance every 12 months and on the complete review of company's management system after three-years."*

# ELENCO CATALOGHI DISPONIBILI PER LE SEGUENTI GAMME DI NOSTRA PRODUZIONE

LIST OF THE AVAILABLE CATALOGUES FOR THE FOLLOWING PRODUCTION LINES  
LISTE DES CATALOGUES DISPONIBLES POUR LES GAMMES DE PRODUCTION SUIVANTES  
KATALOGE FÜR DIE FOLGENDEN PRODUKTION LINIEN  
LISTADO DE LOS CATALOGOS PARA LAS LINEAS SIGUIENTES



400.001 IVECO



400.025 DAF Axles



400.050 MERCEDES



400.075 RENAULT V.I.



400.080 SCANIA



400.090 VOLVO



400.095 ZF Old Range



400.195 ZF Ecosplit



400.295 ZF Ecomid



400.901 Ricambi



Figures part denominations references and data contained in this catalogue are not binding.  
CEI reserves the right to introduce any changes at any time without prior notice.

Le figure, le denominazioni, i riferimenti ed i dati contenuti nel presente catalogo non sono impegnativi.  
La CEI si riserva di apportare in ogni momento e senza preavviso tutte le variazioni che riterrà opportune.

Les figures, les dénominations, les références et les spécifications contenues dans ce catalogue ne sont pas engageantes.  
La CEI se réserve le droit d'apporter à tout moment et sans préavis les variantes éventuelles qu'elle croit utiles.

Die in diesem Katalog enthaltenen Abbildungen, Benennungen, Zeichen und Angaben sind unverbindlich.  
Die Firma CEI behält sich das Recht vor, jederzeit und ohne Viranzeige Änderungen vorzunehmen.

Las figuras, las denominaciones, las referencias y los datos contenidos en el presente catálogo no son empeñativos.  
CEI puede hacer en cada momento y sin preaviso todas las variaciones que sean oportunas.

#### **INTERCHANGEABILITY GUARANTY**

Our spare parts are interchangeable with the original ones; our products bear our trade-mark.  
The original part numbers listed in this catalogue are for reference only.

#### **GARANZIA DI INTERCAMBIABILITÀ**

I nostri ricambi sono intercambiabili con gli originali; la nostra produzione riporta il nostro marchio.  
I riferimenti originali sono esposti a semplice titolo indicativo.

#### **GARANTIE D'INTERCHANGEABILITE**

Nos pièces détachées sont interchangeables avec les originaux.  
Notre production porte notre marque.  
Les numéros originaux mentionnés dans ce catalogue sont seulement à titre indicatif.

#### **AUSTAUSCHBARKEITS-GARANTIE**

Unsere ersatzteile sind austauschbar mit den Originalzahnradern.  
Auf unseren Erzeugnissen ist unsere Schutzmarke aufgetragen.  
Die im gegenwärtigen Katalog genannten Originalnummern nur zum Hinweis dienen.

#### **GARANTIA DE INTERCAMBIABILIDAD**

Nuestros recambios son intercambiables con los originales.  
Todos nuestros productos, llevan grabada nuestra marca.  
Las referencias originales impresas en nuestro catálogo figuran exclusivamente a título indicativo.

---

Suitable To : **R.V.I.**  
 Adaptable à :

## ***Boite de Vitesse Gearboxes***

**B9  
B18**

## ***Pont Intermediaire Intermediate Axles***

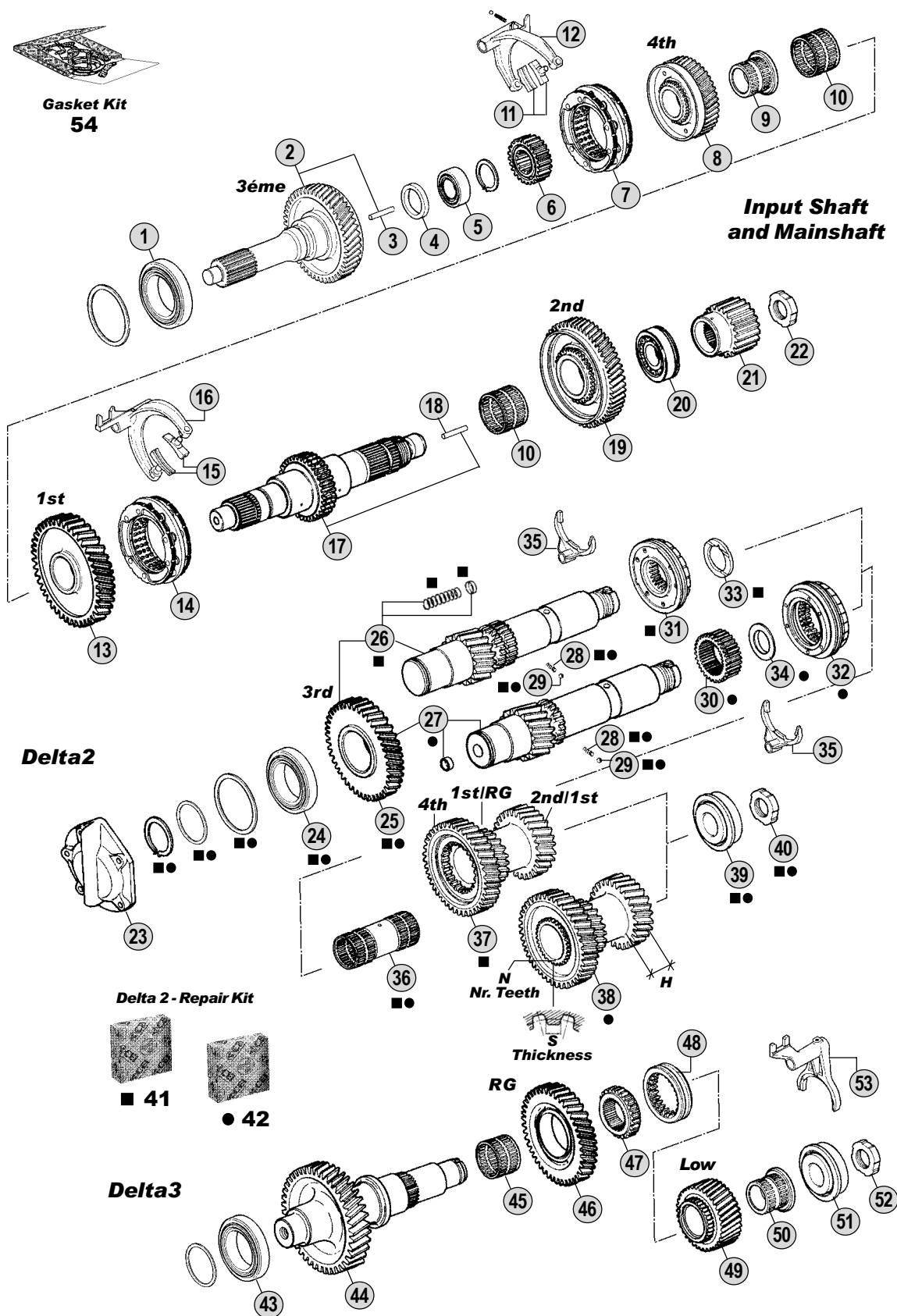
**P1141 A/B  
P1191  
P1841-1845 B/C**

## ***Pont Arriere Rear Axle***

**P1141 A/B - P1191  
P1340-1341-1342-1345  
MS1350 - P1370 - MS1370  
P1391-1395  
P1541-1545 A/B  
P1841-1845 B/C**

Adattabile a : **RENAULT V.I.**

Suitable To :

**B9** (Boite 9 Vitesses)

## Models

Up to 1984	143.080 - 50 00 673 219	H : 37,00 mm	N : 26 dents	S : 4,94 mm
From 1984 To 1989	143.081 - 50 00 673 266	H : 37,00 mm	N : 26 dents	S : 3,34 mm
From 1989	143.083 - 50 10 242 997	H : 41,00 mm	N : 32 dents	S : 4,23 mm



Fig.	CEI no.	Rif. RVI	Description	Description	Q.ty	Note
1	130.520	50 10 242 774	Roulement D.80x125x29	Bearing D.80x125x29	1	
2	190.369	50 00 653 716	Arbre d'entrée 49 D.	Input Shaft 49 T	1	Up to 84' (1)
2	190.370	50 00 653 856	Arbre d'entrée 49 D.	Input Shaft 49 T	1	From 84' Up to 89' (1)
2	<b>190.247</b>	50 00 673 694	Arbre d'entrée 49 D	Input shaft 49 T	1	From 89' (1)
2	190.371	50 00 673 991	Arbre d'entrée 49 D.	Input Shaft 49 T	1	(2)
3	188.143	50 00 655 482	Tuyau	Tube	1	
4	139.459	50 00 790 853	Bague etancheite D.57x74x12,5	Oil seal ring D.57x74x12,5	1	
5	130.521	50 10 242 777	Roulement D.35x72x28	Bearing D.35x72x28	1	
6	145.732	50 00 673 027	Moyeu	Fixed Hub	1	
7	<b>196.220</b>	50 00 673 430	Lot de synchro 3ème-4ème	Synchro kit 3rd-4th Speed	1	
8	196.346	50 00 653 797	Pignon 4ème	Gear 4th Speed	1	Up to 84'
8	196.347	50 00 653 858	Pignon 4ème 43 D.	Gear 4th Speed 43 T	1	From 84' Up to 89'
8	<b>196.234</b>	50 00 673 692	Pignon 4ème 43 D	Gear 4th Speed 43 T	1	From 89'
9	137.252	50 03 090 110	Cage à aiguilles 50x68x87x63	Needle Cage 50x68x87x63	1	
10	137.253	50 03 090 112	Cage à aiguilles 65x73x48	Needle Cage 65x73x48	2	
11	<b>141.151</b>	50 00 655 517	Patin	Slide	2	
12	141.189	50 00 690 012	Fourchette	Fork	1	
13	145.804	50 00 653 714	Pignon 1ère	Gear 1st Speed	1	Up to 84'
13	145.805	50 00 653 859	Pignon 1ère 61 D.	Gear 1st Speed 61 T	1	From 84' Up to 89'
13	<b>145.442</b>	50 00 673 690	Pignon 1ère 61 D	Gear 1st Speed 61 T	1	From 89'
14	<b>196.219</b>	50 00 673 429	Lot de synchro 1ère-2ème	Synchro kit 1st-2nd Speed	1	
15	<b>141.150</b>	50 00 655 516	Patin 1ère-2ème	Slide	2	
16	141.190	50 00 690 011	Fourchette	Fork	1	
17	<b>103.189</b>	50 00 673 029	Arbre primaire	Main Shaft	1	
18	188.144	50 00 655 480	Tuyau	Tube	1	
19	145.806	50 00 653 713	Pignon 2ème 56 D.	Gear 2nd Speed 56 T	1	Up to 84'
19	145.807	50 00 653 860	Pignon 2ème 56 D.	Gear 2nd Speed 56 T	1	From 84' Up to 89'
19	<b>145.443</b>	50 00 673 691	Pignon 2ème 56 D	Gear 2nd Speed 56 T	1	From 89'
20	130.371	50 10 242 778	Roulement 55x110x38	Bearing 55x110x38	1	
21	<b>157.657</b>	50 00 673 077	Pignon 21 D.	Sun Gear 21 T	1	
22	<b>187.556</b>	50 10 372 353	Ecrou M 50x1,5	Nut M 50x1,5	1	
23	128.202	50 00 655 504	Couvercle	Cover	1	Up to 89'
23	128.203	50 10 372 349	Couvercle	Cover	1	From 89'
24	130.526	50 10 242 776	Roulement D.55x100x35	Bearing D.55x100x35	1	
25	<b>146.349</b>	50 00 673 698	Pignon 3ème 35 D	Gear 3rd Speed 35 T	1	
26	105.180	CEI 105180	Arbre secondaire Delta 2	Countershaft Delta 2	1	Up to 84'
26	105.181	50 00 653 878	Arbre secondaire Delta 2 18/35 D.	Countershaft Delta 2 18/35 T	1	From 84'
27	105.182	50 00 690 034	Arbre secondaire Delta 2 28/35 D.	Countershaft Delta 2 18/35 T	1	From 89'
28	156.187	50 00 655 590	Ressort	Spring	2	Up to 89'
28	156.188	50 00 673 278	Ressort	Spring	4	From 89'
29	171.060	09 79 100 600	Bille	Ball	2	Up to 89'
29	171.060	09 79 100 600	Bille	Ball	4	From 89'
30	157.163	50 00 673 275	Moyeu 32 D	Guide sleeve 32 T	1	From 89'
31	<b>196.203</b>	50 00 653 879	Synchroniseur compl.M.AR.	Synchronizer Assy R.G.	1	Up to 84'
31	196.278	50 00 673 267	Synchroniseur compl.M.AR.	Synchronizer Assy R.G.	1	From 84'

## Notes

- (1) Clutch with Single Disk / Embrayage avec Single Disque  
 (2) Clutch with Double Disk / Embrayage avec Double Disque

## Date

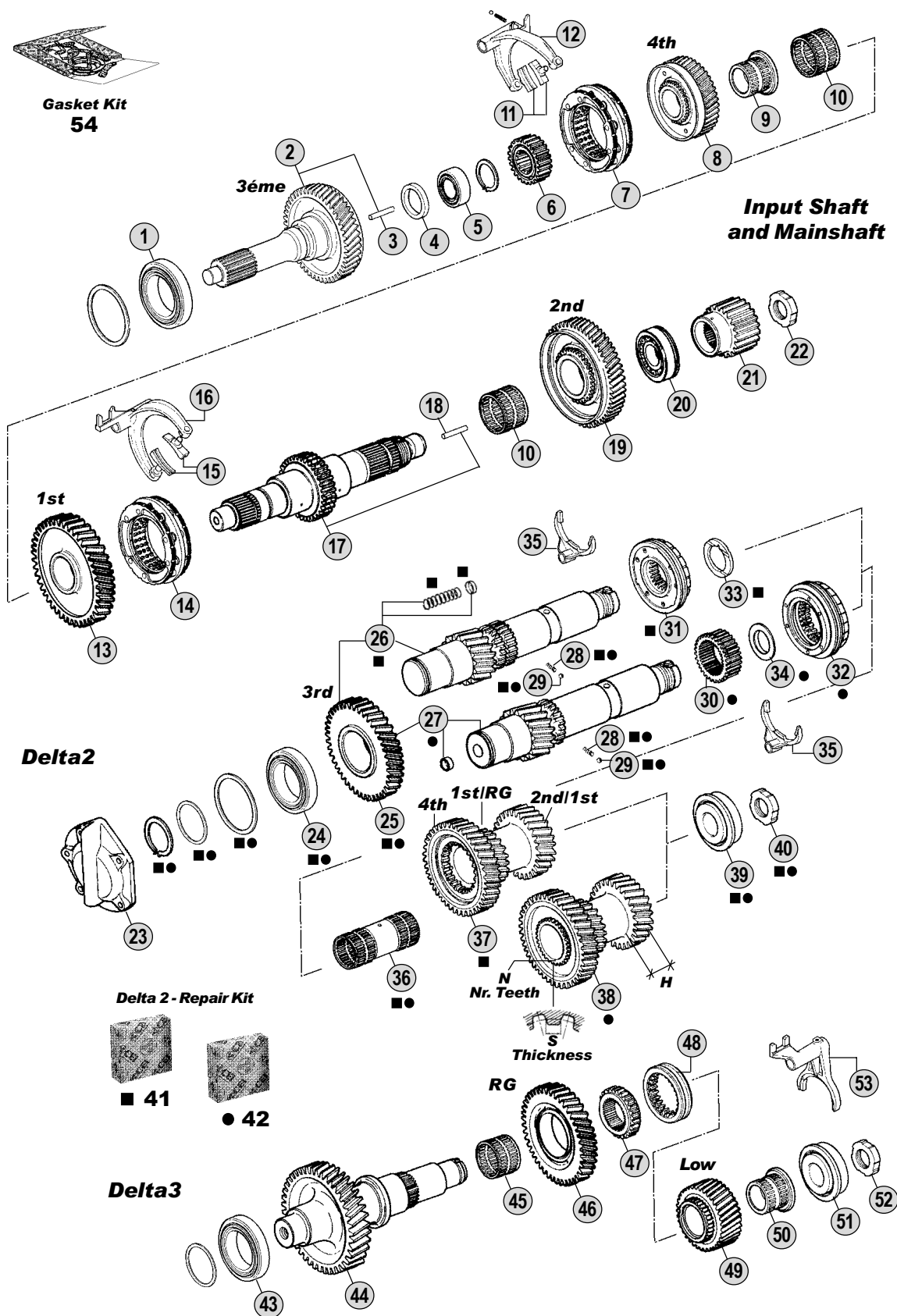
06 / 2008

## Table

0010

Adattabile a : **RENAULT V.I.**

Suitable To :

**B9** (Boite 9 Vitesses)

## Models

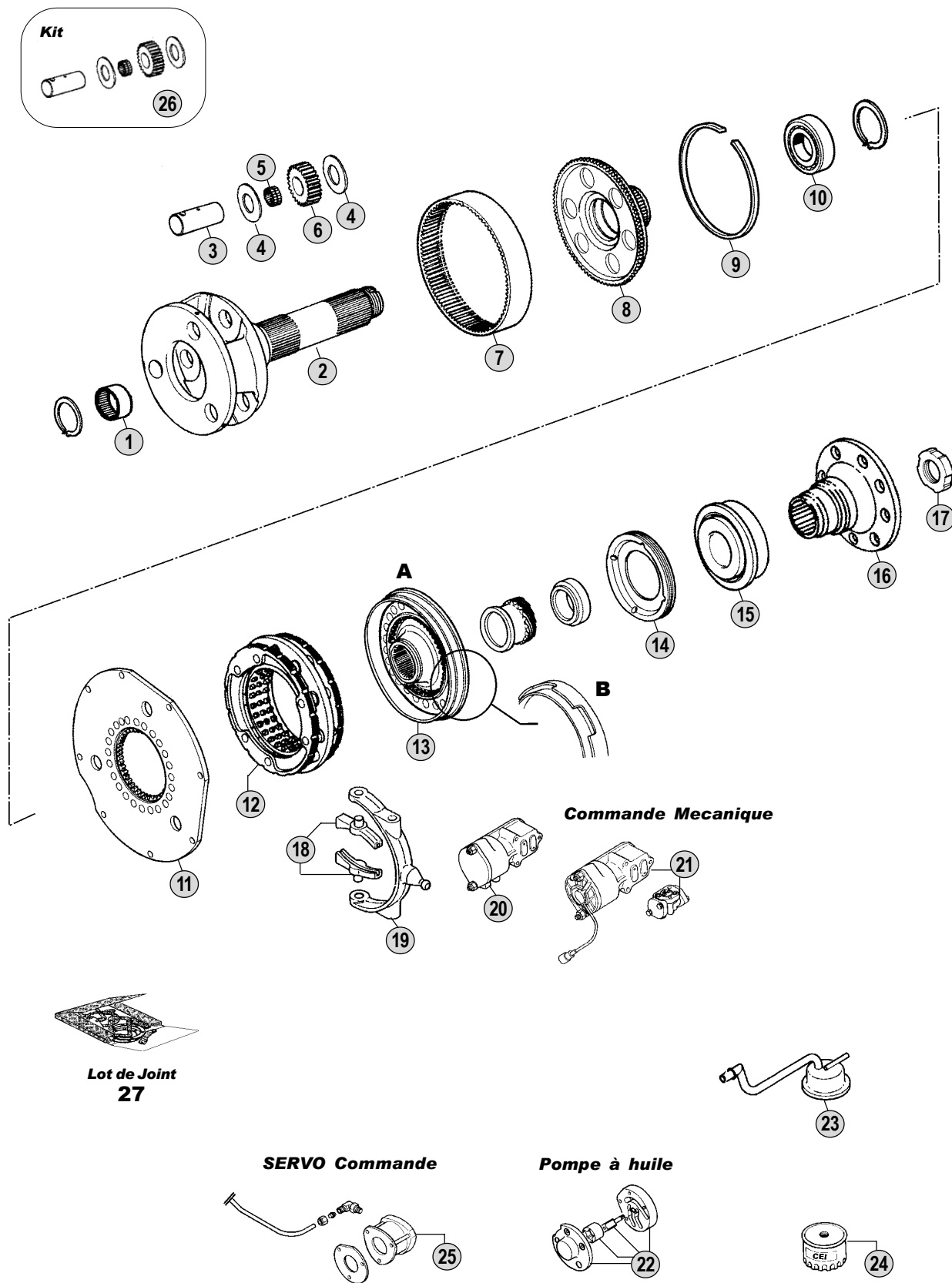
Up to 1984	143.080 - 50 00 673 219	H : 37,00 mm	N : 26 dents	S : 4,94 mm
From 1984 To 1989	143.081 - 50 00 673 266	H : 37,00 mm	N : 26 dents	S : 3,34 mm
From 1989	143.083 - 50 10 242 997	H : 41,00 mm	N : 32 dents	S : 4,23 mm





Adattabile a : **RENAULT V.I.**  
 Suitable To :

**B9** (Boite 9 Vitesses)



All original equipment manufacturers' numbers, symbols and description used in this catalogue are for reference only, and it is not implied that any part listed is the product of these manufactures. Tutti i nostri particolari non sono originali ma con essi intercambiabili. I riferimenti originali, le figure, i modelli sono esposti a semplice titolo indicativo. La nostra produzione riporta il nostro marchio.

**Models**

Up to 1984	143.080 - 50 00 673 219	H : 37,00 mm	N : 26 dents	S : 4,94 mm
From 1984 To 1989	143.081 - 50 00 673 266	H : 37,00 mm	N : 26 dents	S : 3,34 mm
From 1989	143.083 - 50 10 242 997	H : 41,00 mm	N : 32 dents	S : 4,23 mm



Fig.	CEI no.	Rif. RVI	Description	Description	Q.ty	Note
1	130.373	00 23 351 022	Roulement 34x47x17	Bearing 34x47x17	1	
2	190.372	50 00 653 988	Porte-satellites	Planetary Carrier	1	Up to 87'
2	190.373	50 00 673 139	Porte-satellites	Planetary Carrier	1	From 87' Up to 97'
2	190.374	50 10 242 741	Porte-satellites	Planetary Carrier	1	From 97'
2	190.375	50 00 673 054	Porte-satellites	Planetary Carrier	1	(1)
3	107.200	50 00 655 684	Axe de satellite	Planetary Pin	3	Up to 87'
3	107.142	50 00 653 932	Axe de satellite	Planetary Pin	3	From 87'
4	169.707	50 00 655 576	Rondelle D.32x59,50x1,6	Thrust washer D.32x59,50x1,6	6	
5	137.121	50 00 786 301	Lot de roulement (36 pcs)	Set of needle (36 Pcs)	3	
6	157.164	50 00 673 078	Satellite 18 D	Diff.pinion 18 T	3	
7	123.263	50 00 655 329	Couronne 57 D.	Crown Gear 57 T	1	
8	150.162	50 00 655 330	Support couronne	Flange Gear	1	
9	111.263	50 00 673 373	Fil-frein	Lock Ring	1	
10	130.523	50 10 372 462	Roulement	Bearing	1	Up to 97'
10	130.374	50 10 372 463	Roulement	Bearing	1	From 97'
10	130.374	50 10 372 463	Roulement	Bearing	1	(1)
11	298.008	50 00 655 301	Cone de synchro	Synchronizer Cone	1	Up to 87'
11	198.662	50 00 690 124	Cone de synchro	Synchronizer cone	1	From 87'
12	196.204	50 00 690 026	Lot de synchro	Synchronizer Assy	1	
13A	109.143	50 00 653 868	Cone de synchro	Synchronizer cone	1	Up to 87'
13A	109.143	50 00 653 868	Cone de synchro	Synchronizer cone	1	From 87' Up to 97'
13A	109.363	50 00 669 304	Cone de synchro	Synchronizer Cone	1	(1)
13B	109.387	50 00 673 556	Cone de synchro	Synchronizer Cone	1	From 87' Up to 97'
13B	109.388	50 00 673 549	Cone de synchro	Synchronizer Cone	1	From 97'
13B	109.388	50 00 673 549	Cone de synchro	Synchronizer Cone	1	(1)
14	187.715	50 00 655 547	Ecrou M162x200	Grooved Nut M162x200	1	
15	130.524	50 10 372 460	Roulement	Bearing	1	Up to 97'
15	130.375	50 10 372 461	Roulement	Bearing	1	From 97'
15	130.375	50 10 372 461	Roulement	Bearing	1	(1)
16	155.222	50 10 242 535	Bride de sortie	Output Flange	1	Up to 97'
16	155.223	50 10 242 536	Bride de sortie	Output Flange	1	Up to 97'
16	155.224	50 10 242 540	Bride de sortie	Output Flange	1	From 97'
16	155.224	50 10 242 540	Bride de sortie	Output Flange	1	
16	155.225	50 10 242 541	Bride de sortie	Output Flange	1	From 97'
16	155.225	50 10 242 541	Bride de sortie	Output Flange	1	(1)
17	187.556	50 10 372 353	Ecrou M 50x1,5	Nut M 50x1,5	1	Up to 97'
17	187.716	50 10 372 201	Ecrou	Grooved Nut	1	From 97'
17	187.716	50 10 372 201	Ecrou	Grooved Nut	1	(1)
18	141.152	50 00 690 191	Patin	Slide	2	
19	141.192	50 00 655 384	Fourchette	Fork	1	
20	280.620	50 00 850 164	Cylindre	Cylinder	1	1st Type
20	280.621	50 10 242 648	Cylindre	Cylinder	1	Latest Type
21	280.622	50 00 850 271	Cylindre	Cylinder	1	
22	280.623	56 00 106 884	Pompe à huile	Oil Pump	1	
23	189.626	50 00 655 418	Tuyau à huile	Oil Tube	1	

## Notes

- (1) Version spéciale montée du 1992 au 1999 pour les modèles :  
 Special Version fitted from 1992 to 1999 :  
 AE 380/385TI/420TI/500/520 - AE MAGNUM 390/420TI/430/470/560  
 PREMIUM 4X2/6X2 - CBH/CLM 320/385 - Serie "R"

## Date

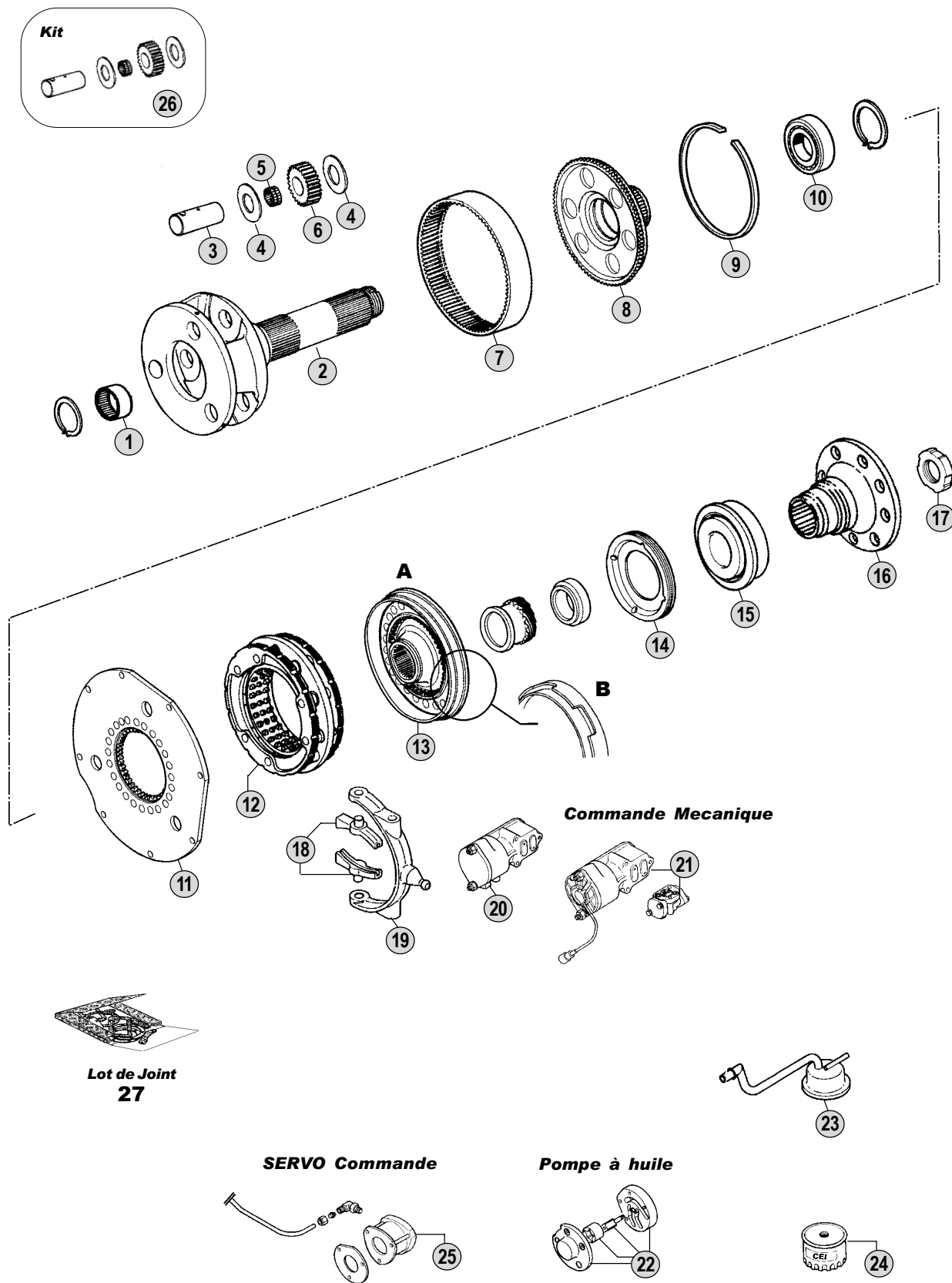
06 / 2008

## Table

0015

Adattabile a : **RENAULT V.I.**  
 Suitable To :

**B9** (Boite 9 Vitesses)



All original equipment manufacturers' numbers, symbols and description used in this catalogue are for reference only, and it is not implied that any part listed is the product of these manufactures. Tutti i nostri particolari non sono originali ma con essi intercambiabili. I riferimenti originali, le figure, i modelli sono esposti a semplice titolo indicativo. La nostra produzione riporta il nostro marchio.

**Models**

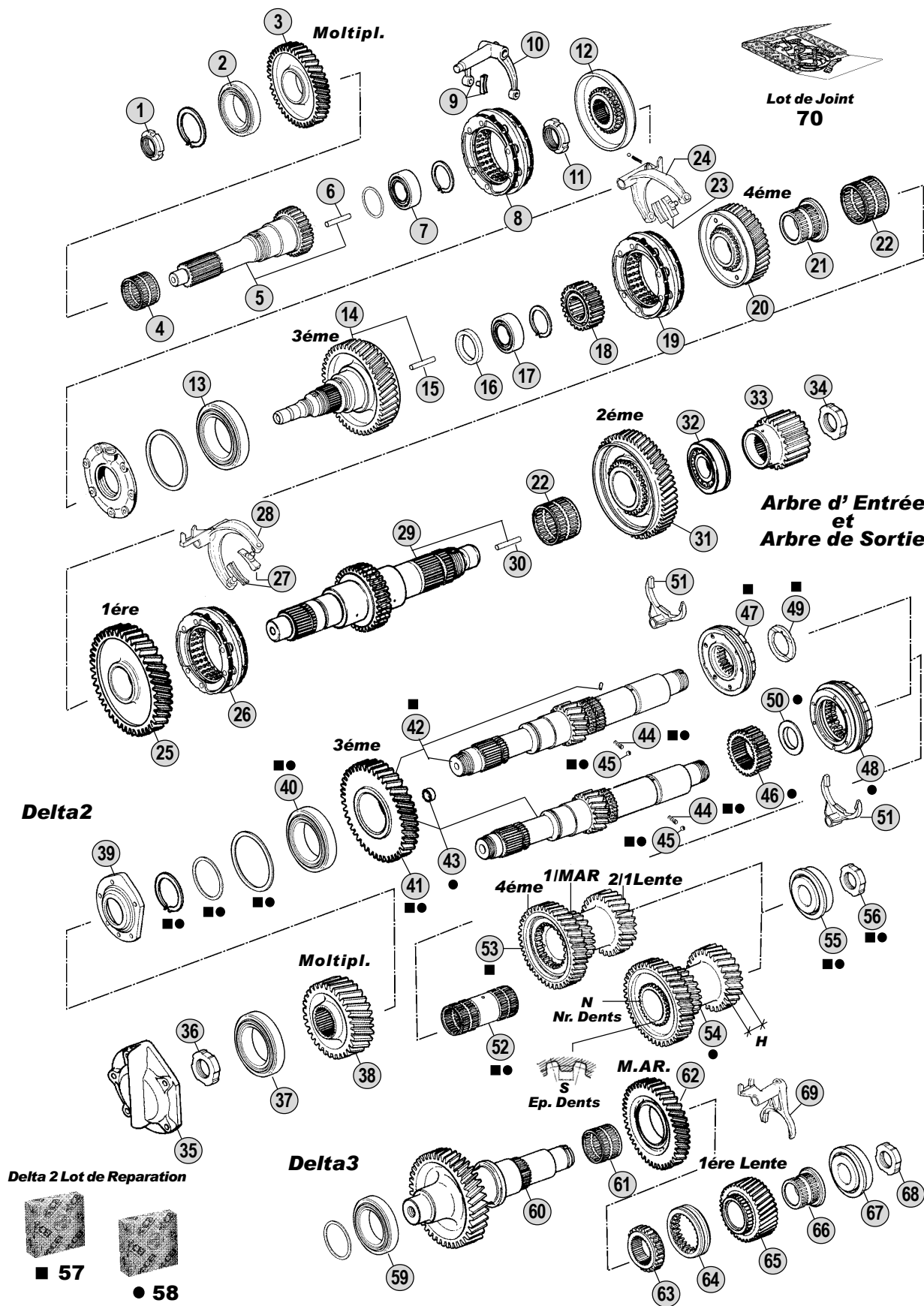
Up to 1984	143.080 - 50 00 673 219	H : 37,00 mm	N : 26 dents	S : 4,94 mm
From 1984 To 1989	143.081 - 50 00 673 266	H : 37,00 mm	N : 26 dents	S : 3,34 mm
From 1989	143.083 - 50 10 242 997	H : 41,00 mm	N : 32 dents	S : 4,23 mm





Adattabile a : **RENAULT V.I.**  
 Suitable To :

**B18** (Boite 18 Vitesses)



All original equipment manufacturers' numbers, symbols, pictures, models and description used in this catalogue are for reference only, and it is not implied that any part listed is the product of these manufactures. Tutti i nostri particolari non sono originali ma con essi intercambiabili. I riferimenti originali, le figure, i modelli sono esposti a semplice titolo indicativo. La nostra produzione riporta il nostro marchio.

**Models**

Up to 1987	143.080 - 50 00 673 219	H : 37,00 mm	N : 26 dents	S : 4,94 mm
From 1987 To 1989	143.081 - 50 00 673 266	H : 37,00 mm	N : 26 dents	S : 3,34 mm
From 1989	143.083 - 50 10 242 997	H : 41,00 mm	N : 32 dents	S : 4,23 mm





Fig.	CEI no.	Rif. RVI	Description	Description	Q.ty	Note
1	187.717	50 10 372 345	Ecrou	Grooved Nut	1	
2	130.376	50 00 690 022	Roulement	Bearing	1	
3	<b>145.441</b>	50 00 673 911	Pignon relais 52 D	Gear splitter 52 T	1	
4	137.256	50 10 242 418	Cage à aiguilles	Needle Cage	1	
5	190.245	50 00 673 117	Arbre d'entree	Input shaft	1	Without bush
5	190.376	50 10 372 327	Arbre d'entrée	Input Shaft	1	With bush
6	188.144	50 00 655 480	Tuyau	Tube	1	
7	130.377	50 00 690 024	Roulement	Bearing	1	
8	<b>196.218</b>	50 00 673 356	Synchro relais AV.	Synchronizing Assy	1	
9	<b>141.150</b>	50 00 655 516	Patin 1ère-2ème	Slide	1	
10	141.193	50 00 655 786	Fourchette	Fork	1	
11	<b>187.556</b>	50 10 372 353	Ecrou M 50x1,5	Nut M 50x1,5	1	
12	<b>109.142</b>	50 00 673 089	Cone de synchro	Synchronizer cone	1	
13	130.520	50 10 242 774	Roulement D.80x125x29	Bearing D.80x125x29	1	
14	190.377	50 00 669 277	Arbre intermediaire	Intermediate Shaft	1	Up to 10/86'
14	<b>190.246</b>	50 00 673 696	Arbre intermediaire 49 D	Intermed shaft 49 T	1	From 10/86'
15	188.143	50 00 655 482	Tuyau	Tube	1	
16	139.459	50 00 790 853	Bague etancheite D.57x74x12,5	Oil seal ring D.57x74x12,5	1	
17	130.521	50 10 242 777	Roulement D.35x72x28	Bearing D.35x72x28	1	
18	145.732	50 00 673 027	Moyeu	Fixed Hub	1	
19	<b>196.220</b>	50 00 673 430	Lot de synchro 3ème-4ème	Synchro kit 3rd-4th Speed	1	
20	196.347	50 00 653 858	Pignon 4ème 43 D.	Gear 4th Speed 43 T	1	Up to 89'
20	<b>196.234</b>	50 00 673 692	Pignon 4ème 43 D	Gear 4th Speed 43 T	1	From 89'
21	137.252	50 03 090 110	Cage à aiguilles 50x68x87x63	Needle Cage 50x68x87x63	1	
22	137.253	50 03 090 112	Cage à aiguilles 65x73x48	Needle Cage 65x73x48	2	
23	<b>141.151</b>	50 00 655 517	Patin	Slide	2	
24	141.189	50 00 690 012	Fourchette	Fork	1	
25	145.805	50 00 653 859	Pignon 1ère 61 D.	Gear 1st Speed 61 T	1	Up to 89'
25	<b>145.442</b>	50 00 673 690	Pignon 1ère 61 D	Gear 1st Speed 61 T	1	From 89'
26	<b>196.219</b>	50 00 673 429	Lot de synchro 1ère-2ème	Synchro kit 1st-2nd Speed	1	
27	<b>141.150</b>	50 00 655 516	Patin 1ère-2ème	Slide	2	
28	141.190	50 00 690 011	Fourchette	Fork	1	
29	<b>103.189</b>	50 00 673 029	Arbre primaire	Main Shaft	1	
30	188.144	50 00 655 480	Tuyau	Tube	1	
31	145.807	50 00 653 860	Pignon 2ème 56 D.	Gear 2nd Speed 56 T	1	Up to 89'
31	<b>145.443</b>	50 00 673 691	Pignon 2ème 56 D	Gear 2nd Speed 56 T	1	From 89'
32	130.371	50 10 242 778	Roulement 55x110x38	Bearing 55x110x38	1	
33	<b>157.657</b>	50 00 673 077	Pignon 21 D.	Sun Gear 21 T	1	
34	<b>187.556</b>	50 10 372 353	Ecrou M 50x1,5	Nut M 50x1,5	1	
35	128.204	50 00 655 781	Couvercle	Cover	1	
36	<b>187.555</b>	50 00 673 341	Ecrou M 40x1,5	Nut M 40x1,5	1	
37	130.378	50 00 690 023	Roulement	Bearing	1	
38	<b>146.350</b>	50 00 673 912	Pignon relais 32 D	Gear splitter 32 T	1	
39	128.205	50 00 655 779	Couvercle	Cover	1	
40	130.526	50 10 242 776	Roulement D.55x100x35	Bearing D.55x100x35	1	

Notes

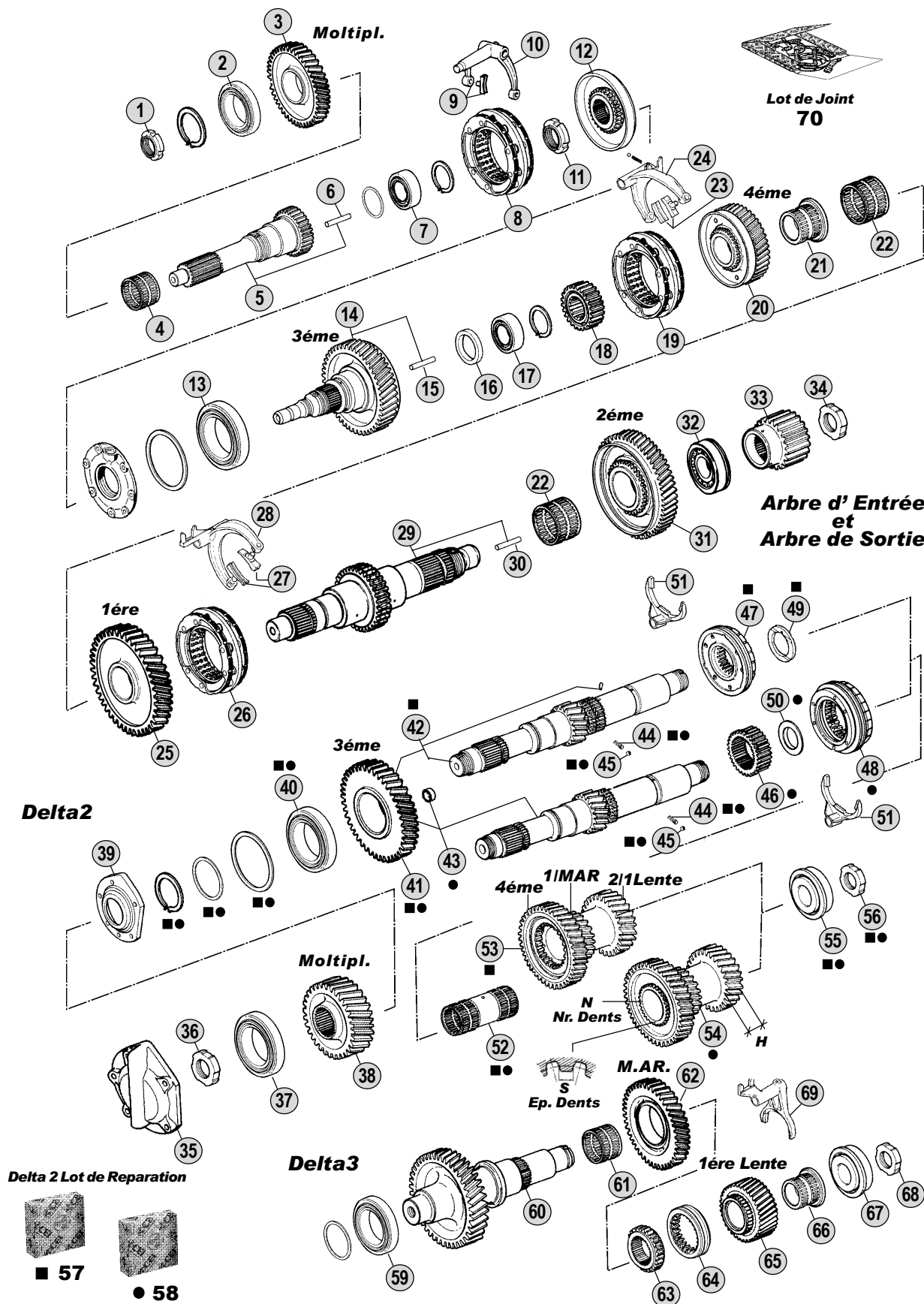
Date

06 / 2008

Table

Adattabile a : **RENAULT V.I.**  
 Suitable To :

**B18** (Boite 18 Vitesses)



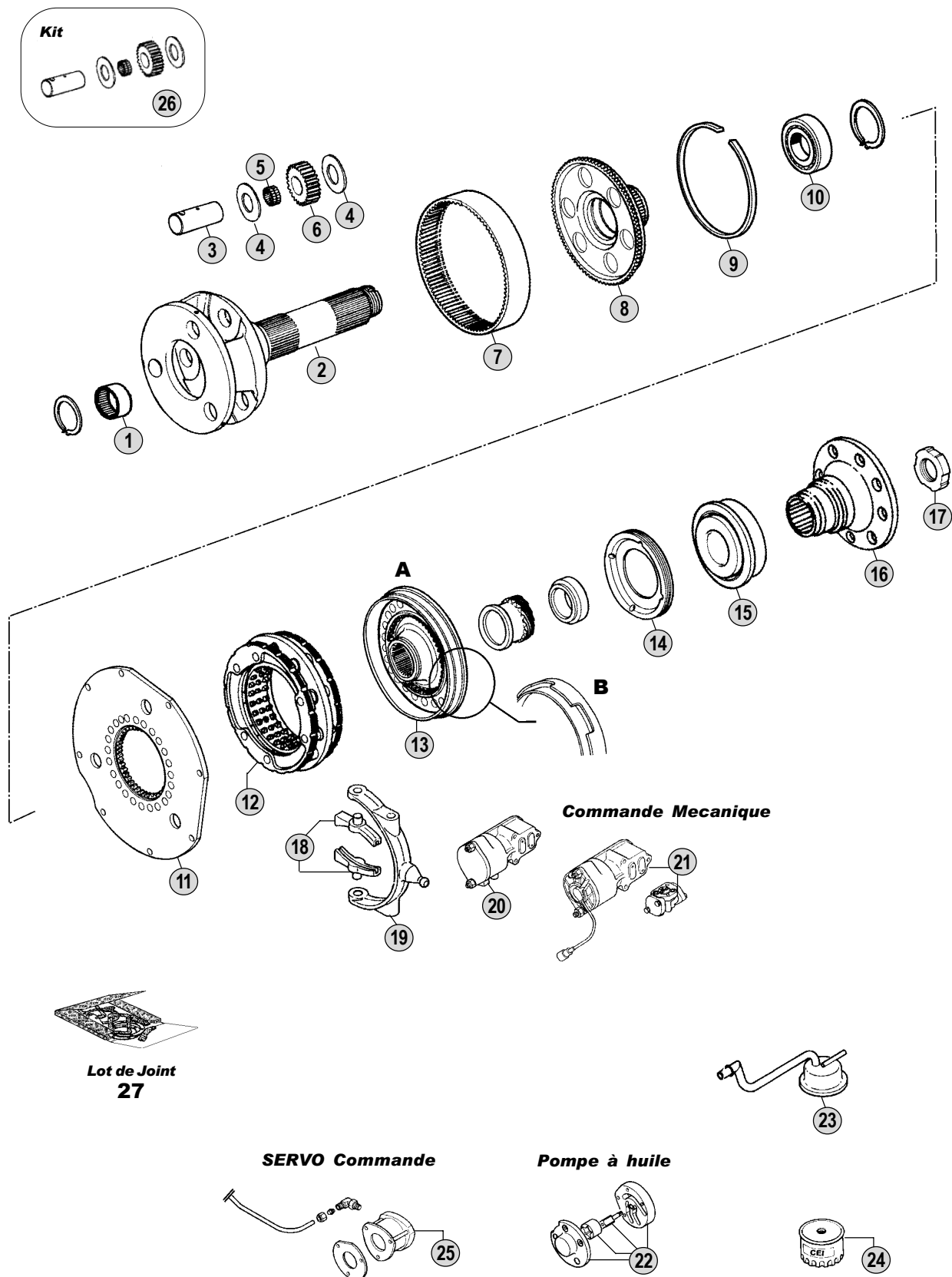
All original equipment manufacturers' numbers, symbols, pictures, models and description used in this catalogue are for reference only, and it is not implied that any part listed is the product of these manufactures. Tutti i nostri particolari non sono originali ma con essi intercambiabili. I riferimenti originali, le figure, i modelli sono esposti a semplice titolo indicativo. La nostra produzione riporta il nostro marchio.

**Models**

Up to 1987	143.080 - 50 00 673 219	H : 37,00 mm	N : 26 dents	S : 4,94 mm
From 1987 To 1989	143.081 - 50 00 673 266	H : 37,00 mm	N : 26 dents	S : 3,34 mm
From 1989	143.083 - 50 10 242 997	H : 41,00 mm	N : 32 dents	S : 4,23 mm





Adattabile a : **RENAULT V.I.****B18** (Boite 18 Vitesses)**Models**

Up to 1987	143.080 - 50 00 673 219	H : 37,00 mm	N : 26 dents	S : 4,94 mm
From 1987 To 1989	143.081 - 50 00 673 266	H : 37,00 mm	N : 26 dents	S : 3,34 mm
From 1989	143.083 - 50 10 242 997	H : 41,00 mm	N : 32 dents	S : 4,23 mm

Fig.	CEI no.	Rif. RVI	Description	Description	Q.ty	Note
1	130.373	00 23 351 022	Roulement 34x47x17	Bearing 34x47x17	1	
2	190.372	50 00 653 988	Porte-satellites	Planetary Carrier	1	Up to 87'
2	190.373	50 00 673 139	Porte-satellites	Planetary Carrier	1	From 87' Up to 97'
2	190.374	50 10 242 741	Porte-satellites	Planetary Carrier	1	From 97'
2	190.375	50 00 673 054	Porte-satellites	Planetary Carrier	1	(1)
3	107.200	50 00 655 684	Axe de satellite	Planetary Pin	3	Up to 87'
3	107.142	50 00 653 932	Axe de satellite	Planetary Pin	3	From 87'
4	169.707	50 00 655 576	Rondelle D.32x59,50x1,6	Thrust washer D.32x59,50x1,6	6	
5	137.121	50 00 786 301	Lot de roulement (36 pcs)	Set of needle (36 Pcs)	3	
6	157.164	50 00 673 078	Satellite 18 D	Diff.pinion 18 T	3	
7	123.263	50 00 655 329	Couronne 57 D.	Crown Gear 57 T	1	
8	150.162	50 00 655 330	Support couronne	Flange Gear	1	
9	111.263	50 00 673 373	Fil-frein	Lock Ring	1	
10	130.523	50 10 372 462	Roulement	Bearing	1	Up to 97'
10	130.374	50 10 372 463	Roulement	Bearing	1	From 97'
10	130.374	50 10 372 463	Roulement	Bearing	1	(1)
11	298.008	50 00 655 301	Cone de synchro	Synchronizer Cone	1	Up to 87'
11	198.662	50 00 690 124	Cone de synchro	Synchronizer cone	1	From 87'
12	196.204	50 00 690 026	Lot de synchro	Synchronizer Assy	1	
13A	109.143	50 00 653 868	Cone de synchro	Synchronizer cone	1	Up to 87'
13A	109.143	50 00 653 868	Cone de synchro	Synchronizer cone	1	From 87' Up to 97'
13A	109.363	50 00 669 304	Cone de synchro	Synchronizer Cone	1	(1)
13B	109.387	50 00 673 556	Cone de synchro	Synchronizer Cone	1	From 87' Up to 97'
13B	109.388	50 00 673 549	Cone de synchro	Synchronizer Cone	1	From 97'
13B	109.388	50 00 673 549	Cone de synchro	Synchronizer Cone	1	(1)
14	187.715	50 00 655 547	Ecrou M162x200	Grooved Nut M162x200	1	
15	130.524	50 10 372 460	Roulement	Bearing	1	Up to 97'
15	130.375	50 10 372 461	Roulement	Bearing	1	From 97'
15	130.375	50 10 372 461	Roulement	Bearing	1	(1)
16	155.222	50 10 242 535	Bride de sortie	Output Flange	1	Up to 97'
16	155.223	50 10 242 536	Bride de sortie	Output Flange	1	Up to 97'
16	155.224	50 10 242 540	Bride de sortie	Output Flange	1	From 97'
16	155.224	50 10 242 540	Bride de sortie	Output Flange	1	(1)
16	155.225	50 10 242 541	Bride de sortie	Output Flange	1	From 97'
16	155.225	50 10 242 541	Bride de sortie	Output Flange	1	(1)
17	187.556	50 10 372 353	Ecrou M 50x1,5	Nut M 50x1,5	1	Up to 97'
17	187.716	50 10 372 201	Ecrou	Grooved Nut	1	From 97'
17	187.716	50 10 372 201	Ecrou	Grooved Nut	1	(1)
18	141.152	50 00 690 191	Patin	Slide	2	
19	141.192	50 00 655 384	Fourchette	Fork	1	
20	280.620	50 00 850 164	Cylindre	Cylinder	1	1st Type
20	280.621	50 10 242 648	Cylindre	Cylinder	1	Latest Type
21	280.622	50 00 850 271	Cylindre	Cylinder	1	
22	280.623	56 00 106 884	Pompe à huile	Oil Pump	1	
23	189.626	50 00 655 418	Tuyau à huile	Oil Tube	1	

## Notes

- (1) Version spéciale montée du 1992 au 1999 pour les modèles :  
 Special Version fitted from 1992 to 1999 :  
 AE 380/385TI/420TI/500/520 - AE MAGNUM 390/420TI/430/470/560  
 PREMIUM 4X2/6X2 - CBH/CLM 320/385 - Serie "R"

## Date

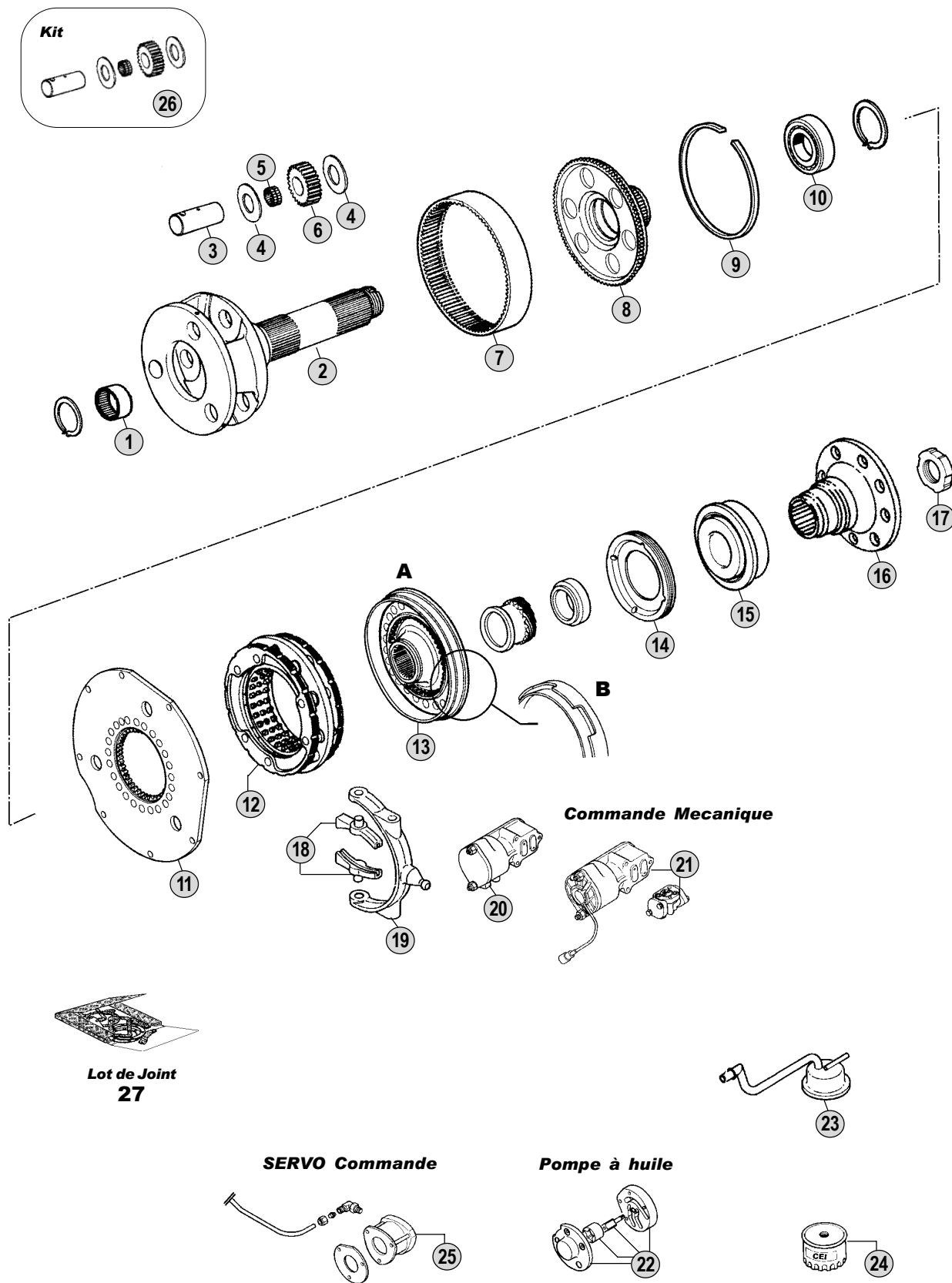
06 / 2008

## Table

0025

Adattabile a : **RENAULT V.I.**  
 Suitable To :

**B18** (Boite 18 Vitesses)



All original equipment manufacturers' numbers, symbols and description used in this catalogue are for reference only, and it is not implied that any part listed is the product of these manufactures.  
 Tutti i nostri particolari non sono originali ma con essi intercambiabili. I riferimenti originali, le figure, i modelli sono esposti a semplice titolo indicativo. La nostra produzione riporta il nostro marchio.

**Models**

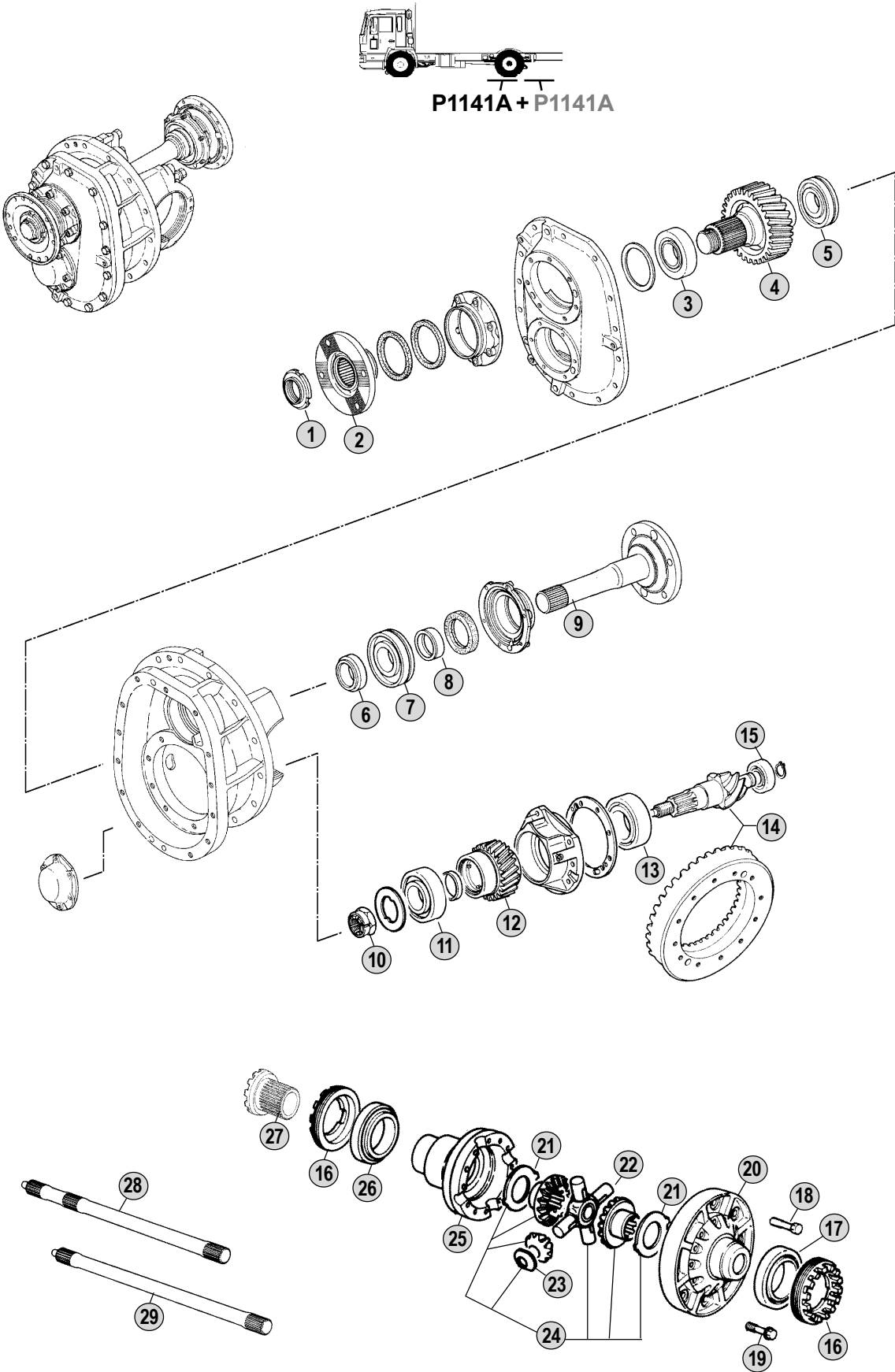
Up to 1987	143.080 - 50 00 673 219	H : 37,00 mm	N : 26 dents	S : 4,94 mm
From 1987 To 1989	143.081 - 50 00 673 266	H : 37,00 mm	N : 26 dents	S : 3,34 mm
From 1989	143.083 - 50 10 242 997	H : 41,00 mm	N : 32 dents	S : 4,23 mm





Adattabile a : **RENAULT V.I.**

**P1141A**



All original equipment manufacturers numbers, symbols and description used in this catalogue are for reference only, and it is not implied that any part listed is the product of these manufactures. Tutti i nostri particolari non sono originali ma con essi intercambiabili. I riferimenti originali, le figure, i modelli sono esposti a semplice titolo indicativo. La nostra produzione riporta il nostro marchio.

Models

**“G” MANAGER - KERAX**

“G” MANAGER 6X2-6X4 (1997<<)

FAB XX (1999<<) / FAB 33A (2000 >>2002)



All original equipment manufacturers numbers, symbols, pictures, models and description used in this catalogue are for reference only, and it is not implied that any part listed is the product of these manufactures.  
Tutti i nostri particolari non sono originali ma con essi intercambiabili. I riferimenti originali, le figure, i modelli sono esposti a semplice titolo indicativo. La nostra produzione riporta il nostro marchio.

Fig.	CEI no.	Rif. RVI	Description	Description	Q.ty	Note
1	187.716	50 10 372 201	Ecrou	Grooved Nut	1	
2	197.142	50 10 319 577	Bride	Flange	1	
3	130.734	50 00 682 113	Roulem à rouleaux	Roller bearing	1	
4	105.207	50 00 682 099	Arbre	Shaft	1	
5	130.735	50 00 685 837	Roulem à rouleaux	Roller bearing	1	
6	117.390	50 00 671 808	Douille	Bush	1	
7	130.736	50 00 788 402	Roulem à billes	Ball bearing	1	
8	117.391	50 00 682 329	Douille	Bush	1	
9	170.236	50 10 319 579	Demi-essieu	Drive shaft	1	
10	<b>187.556</b>	50 10 372 353	Ecrou M 50x1,5	Nut M 50x1,5	1	
11	130.737	50 10 319 374	Roulem à billes	Roller bearing	1	
12	146.640	50 10 319 275	Pignon	Gear	1	
13	130.738	00 23 336 871	Roulem à rouleaux	Roller bearing	1	
14	194.948	50 00 675 758	Couple conique 16x37 R.=1:2,31	Crown & pinion 16x37 R.=1:2,31	1	84 km/h
14	194.949	50 00 675 723	Couple conique 16x41 R.=1:2,56	Crown & pinion 16x41 R.=1:2,56	1	76 km/h
14	194.947	50 00 675 755	Couple conique 14x41 R.=1:2,93	Crown & pinion 14x41 R.=1:2,93	1	66 km/h
14	194.946	50 00 675 752	Couple conique 11x38 R.=1:3,45	Crown & pinion 11x38 R.=1:3,45	1	56 km/h
15	130.739	50 00 785 250	Roulem à billes	Roller bearing	1	
16	187.745	50 00 664 855	Ecrou	Nut	2	
17	130.740	50 10 241 094	Roulem à billes	Roller bearing	1	
18	187.746	50 00 682 326	Vis	Screw	12	
19	187.727	50 00 671 332	Vis	Screw	16	
20	<b>175.307</b>	50 10 534 111	Demi-carter différentiel	Differential Housing Half	1	
21	269.018	50 00 671 226	Rondelle	Washer	2	
22	133.163	50 10 534 983	Croisillon	Differential spider	1	
23	<b>269.017</b>	50 10 534 114	Rondelle	Washer	4	
24	<b>298.037</b>	50 00 794 101	Lot de reparation	Repair kit	1	Z16 + Z11
25	<b>175.306</b>	50 10 534 113	Demi-carter différentiel	Differential Housing Half	1	
26	130.741	50 10 534 822	Roulement	Bearing	1	
27	154.401	50 00 671 457	Blocage différentiel	Central gear lock	1	
28	170.232	50 10 534 082	Demi-essieu	Drive shaft	1	
28	170.233	50 00 675 802	Demi-essieu	Drive shaft	1	
29	170.234	50 10 534 077	Demi-essieu	Drive shaft	1	
29	170.235	50 00 675 796	Demi-essieu	Drive shaft	1	

Notes

Date

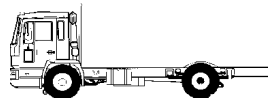
06 / 2008

Table

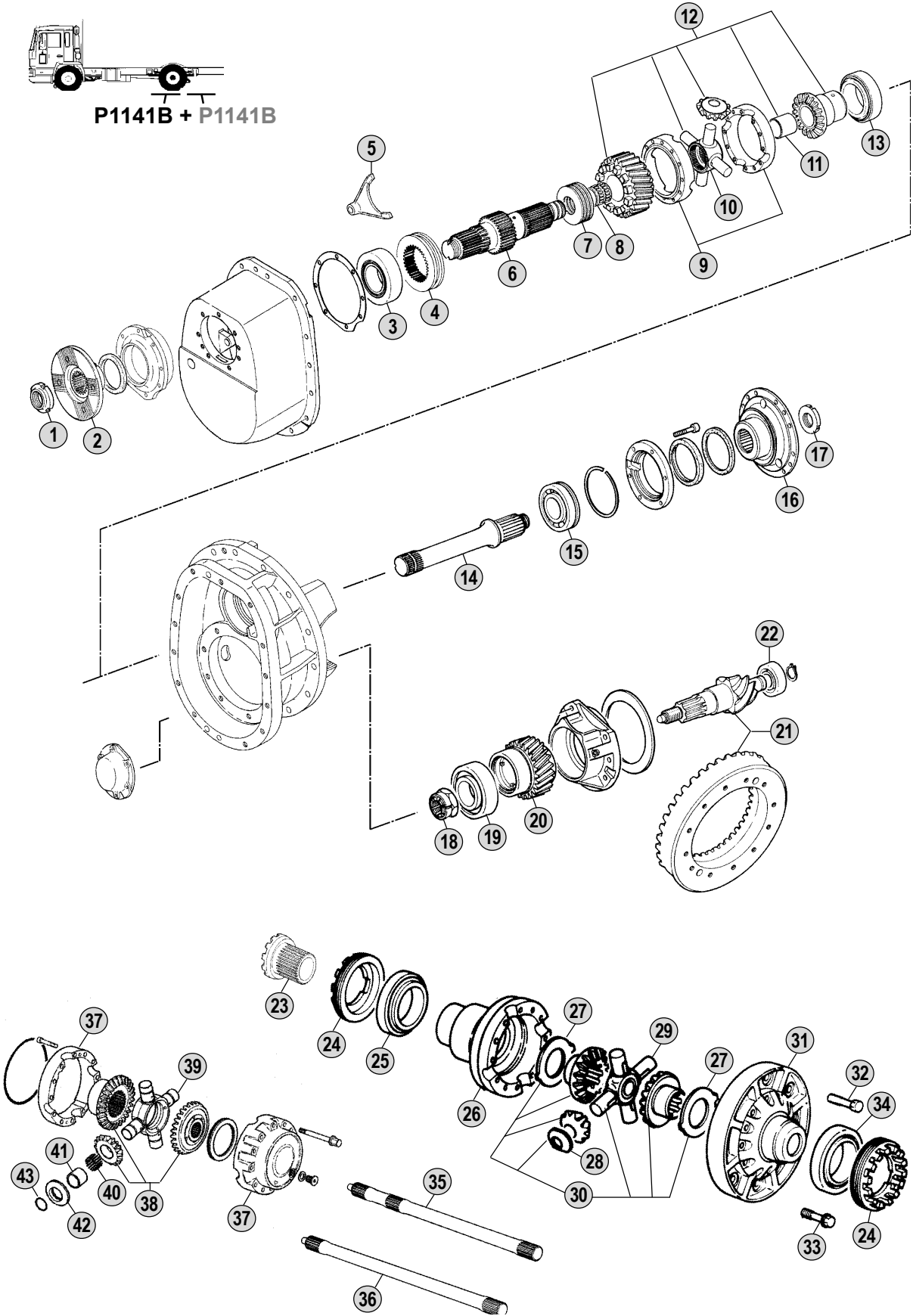
0030

Adattabile a : **RENAULT V.I.**

**P1141B**



P1141B + P1141B



All original equipment manufacturers' numbers, symbols and description used in this catalogue are for reference only, and it is not implied that any part listed is the product of these manufacturers. Tutti i nostri particolari non sono originali ma con essi intercambiabili. I riferimenti originali, le figure, i modelli sono esposti a semplice titolo indicativo. La nostra produzione riporta il nostro marchio.

Models

**PREMIUM - KERAX**

FAB 22EE (>>2001)

FAB 33AA (>>2001) / FAB 33A (2000 >>2002) / FAB 33A (>>2003)



Fig.	CEI no.	Rif. RVI	Description	Description	Q.ty	Note
1	<b>187.724</b>	50 10 241 239	Ecrou	Nut	1	
2	<b>155.228</b>	50 10 319 125	Bride de sortie	Output Flange	1	
3	130.742	50 10 439 065	Roulem à rouleaux	Roller bearing	1	
4	154.402	50 10 319 821	Manchon	Sleeve	1	
5	141.212	50 10 319 824	Fourchette	Fork	1	
6	<b>105.208</b>	50 10 534 620	Arbre	Shaft	1	
7	269.089	50 00 685 989	Entretoise	Shim	4	
8	130.743	50 10 319 917	Roulement a aiguilles	Needle bearing	1	
9	<b>175.312</b>	50 10 611 078	Demi-carter différentiel	Differential Housing half	1	
10	133.165	50 10 534 227	Croisillon	Spider	1	
11	<b>117.392</b>	50 05 010 002	Douille	Bush	1	
12	<b>298.071</b>	50 01 863 200	Lot de reparation différentiel	Differential kit	1	
13	130.744	50 10 534 744	Roulem à rouleaux	Roller bearing	1	
14	170.237	50 10 319 798	Demi-essieu	Drive shaft	1	
15	130.736	50 00 788 402	Roulem à billes	Ball bearing	1	
16	197.143	50 10 443 703	Bride de sorte	Output flange	1	
17	287.003	50 10 319 149	Ecrou	Nut	1	
18	<b>187.556</b>	50 10 372 353	Ecrou M 50x1,5	Nut M 50x1,5	1	
19	130.745	50 00 682 795	Roulem. à rouleaux	Roller bearing	1	
20	146.641	50 10 319 814	Pignon	Gear	1	
21	194.953	50 10 443 865	Couple conique 19x37 R.=1:1,94	Crown & pinon 19x37 R.=1:1,94	1	(A) 100 km/h
21	194.956	50 10 443 581	Couple conique 17x35 R.=1:2,05	Crown & pinon 17x35 R.=1:2,05	1	(A) 95 km/h
21	194.954	50 10 443 869	Couple conique 17x37 R.=1:2,17	Crown & pinon 17x37 R.=1:2,17	1	(A) 89 km/h
21	194.955	50 10 443 564	Couple conique 16x37 R.=1:2,31	Crown & pinon 16x37 R.=1:2,31	1	(B) 84 km/h
21	194.839	50 10 443 562	Couple conique 16x41 R.=1:2,56	Crown & pinion 16x41 R.=1:2,56	1	(B) 76 Km/h
21	194.950	50 10 443 560	Couple conique 14x41 R.=1:2,92	Crown & pinon 14x41 R.=1:2,92	1	(C) 66 km/h
21	194.951	50 10 443 787	Couple conique 13x41 R.=1:3,15	Crown & pinon 13x41 R.=1:3,15	1	(C) 62 km/h
21	194.952	50 10 443 558	Couple conique 11x38 R.=1:3,45	Crown & pinon 11x38 R.=1:3,45	1	(C) 56 km/h
22	130.739	50 00 785 250	Roulem à billes	Roller bearing	1	
23	154.401	50 00 671 457	Blocage différentiel	Central gear lock	1	
24	187.745	50 00 664 855	Ecrou	Nut	2	
25	130.741	50 10 534 822	Roulement	Bearing	1	
26	<b>175.306</b>	50 10 534 113	Demi-carter différentiel	Differential Housing Half	1	
27	269.018	50 00 671 226	Rondelle	Washer	2	
28	<b>269.017</b>	50 10 534 114	Rondelle	Washer	4	
29	133.163	50 10 534 983	Croisillon	Differential spider	1	
30	<b>298.037</b>	50 00 794 101	Lot de reparation	Repair kit	1	Z16 + Z11
30	<b>298.044</b>	50 01 857 599	Lot de reparation Diff.	Differential Gear kit	1	Z14 + Z9
31	<b>175.295</b>	50 10 534 112	Demi-carter différentiel	Differential Housing Half	1	(A)
31	<b>175.307</b>	50 10 534 111	Demi-carter différentiel	Differential Housing Half	1	(B)
31	175.305	50 10 534 110	Demi-carter différentiel	Differential Housing Half	1	(C)
32	187.746	50 00 682 326	Vis	Screw	12	
33	187.727	50 00 671 332	Vis	Screw	16	
34	130.740	50 10 241 094	Roulem à billes	Roller bearing	1	
35	170.233	50 00 675 802	Demi-essieu	Drive shaft	1	

## Notes

(A-B-C) Respecter obligatoirement l'accouplement entre la boîte différentiel et la couple conique.  
Respect the coupling as the assembling wheelbase between the CWP and the differential housing changes.

## Date

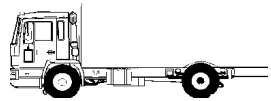
06 / 2008

## Table

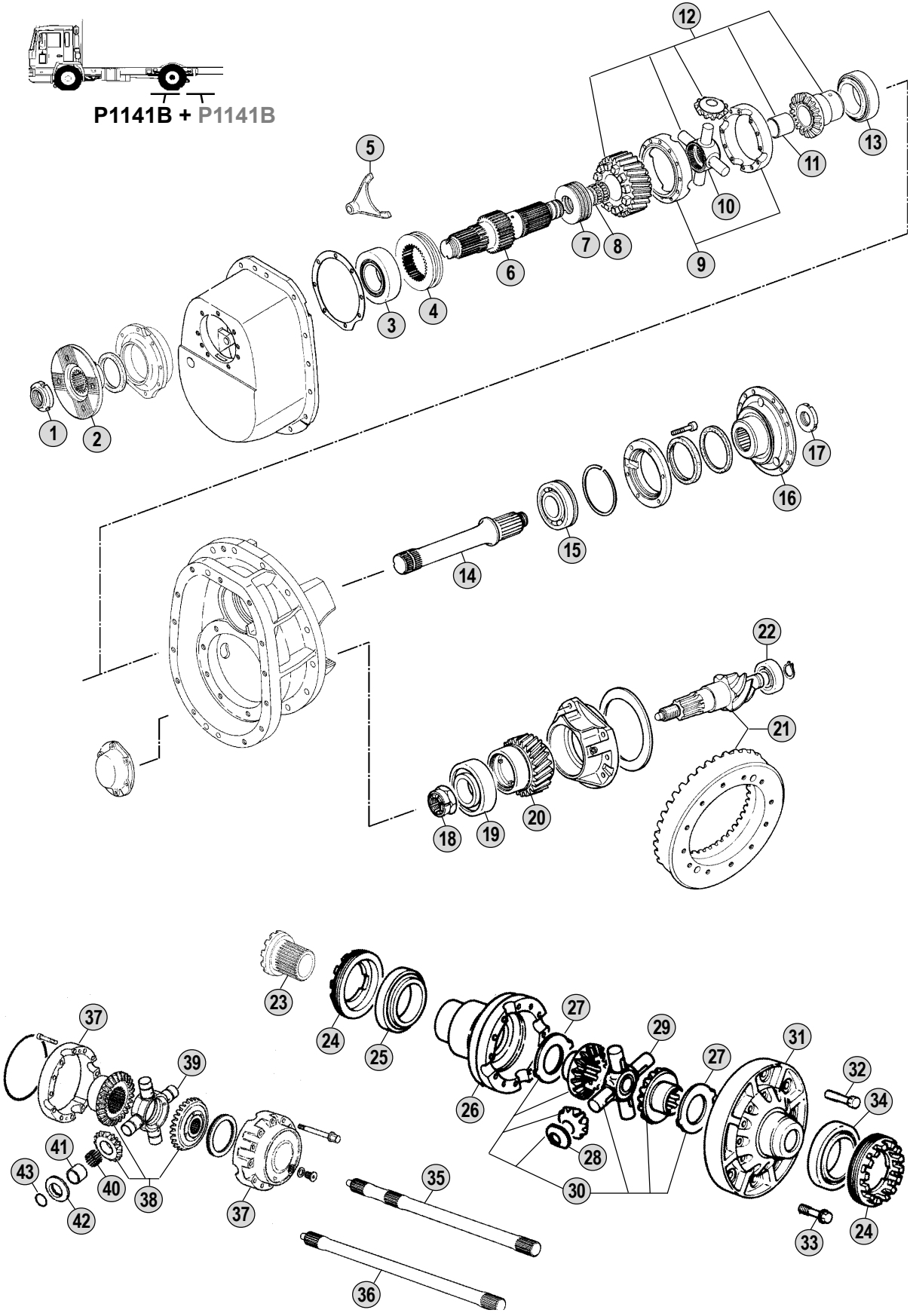
0040

Adattabile a : **RENAULT V.I.**

**P1141B**



P1141B + P1141B



All original equipment manufacturers' numbers, symbols and description used in this catalogue are for reference only, and it is not implied that any part listed is the product of these manufactures. Tutti i nostri particolari non sono originali ma con essi intercambiabili. I riferimenti originali, le figure, i modelli sono esposti a semplice titolo indicativo. La nostra produzione riporta il nostro marchio.

Models

**PREMIUM - KERAX**

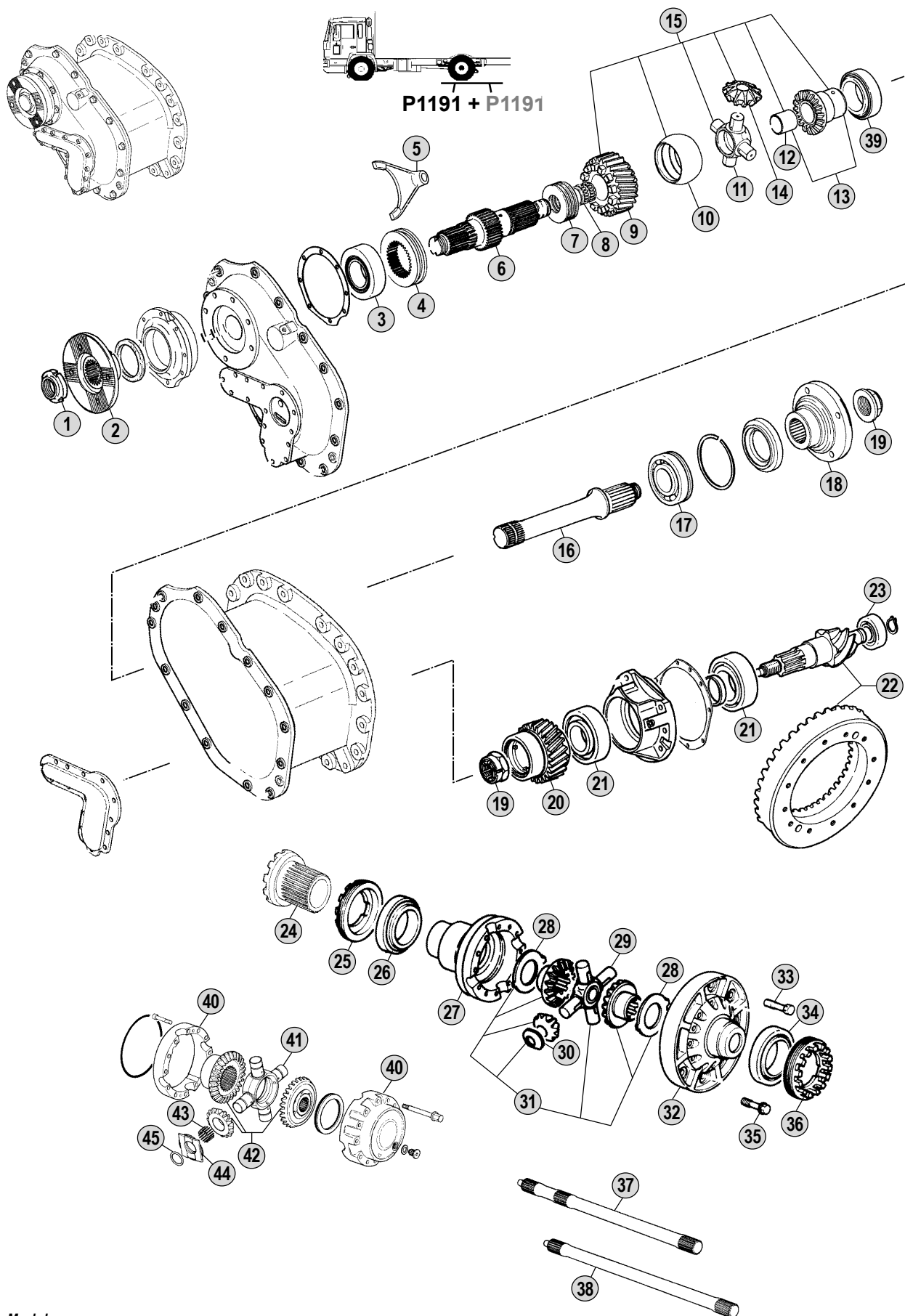
FAB 22EE (>>2001)

FAB 33AA (>>2001) / FAB 33A (2000 >>2002) / FAB 33A (>>2003)







Adattabile a : **RENAULT V.I.****P1191****Models****PREMIUM - MAGNUM - KERAX**

FAB 27JC/TC - FAB 27RC/SC - FAB 29BG - DXI7 - TR/PR (&gt;&gt;2002)

DXI12 - DXI13 (&gt;&gt;2002)

FAB 34R/F - DXI11 (&gt;&gt;2002)

All original equipment manufacturers' numbers, symbols and description used in this catalogue are for reference only, and it is not implied that any part listed is the product of these manufacturers. Tutti i nostri particolari non sono originali ma con essi intercambiabili. I riferimenti originali, le figure, i modelli sono esposti a semplice titolo indicativo. La nostra produzione riporta il nostro marchio.

Fig.	CEI no.	Rif. RVI	Description	Description	Q.ty	Note
1	187.724	50 10 241 239	Ecrou	Nut	1	
2	197.149	50 10 534 791	Bride de sortie	Output Flange	1	
3	130.742	50 10 439 065	Roulem à rouleaux	Roller bearing	1	
4	154.402	50 10 319 821	Manchon	Sleeve	1	
5	141.212	50 10 319 824	Fourchette	Fork	1	
6	105.213	50 10 534 575	Arbre	Shaft	1	
7	269.099	50 10 534 881	Entretoise	Shim	3	
8	130.757	50 10 534 808	Roulement a aiguilles	Needle bearing	1	
9	145.949	50 10 534 684	Pignon	Gear	1	
10	175.330	50 10 534 686	Carter différentiel complet	Diff.housing complete	1	
11	133.169	50 10 534 687	Croisillon	Differential spider	1	
12	117.392	50 05 010 002	Douille	Bush	1	
13	122.157	50 10 534 840	Pignon solaire	Side gear	1	
14	182.113	50 10 534 688	Satellite	Satellite gear	4	
15	298.116	CEI 298116	Lot de différentiel	Differential kit	1	
16	170.265	50 10 534 583	Demi-essieu	Drive shaft	1	
17	130.758	50 10 534 810	Roulement	Bearing	1	
18	175.331	50 10 534 807	Bride de sortie	Output flange	1	
19	287.007	50 10 534 648	Ecrou	Nut	2	
20	146.643	50 10 534 685	Pignon	Gear	1	
21	130.745	50 00 682 795	Roulem. à rouleaux	Roller bearing	2	
22	194.993	50 10 534 566	Couple conique 25x37 R.=1:1,48	Crown & pinon 25x37 R.=1:1,48	1	(A) 100 km/h
22	194.992	50 10 534 562	Couple conique 24x37 R.=1:1,54	Crown & pinon 24x37 R.=1:1,54	1	(A) 96 km/h
22	194.991	50 10 534 558	Couple conique 23x37 R.=1:1,60	Crown & pinon 23x37 R.=1:1,60	1	(A) 92 km/h
22	194.990	50 10 534 554	Couple conique 22x37 R.=1:1,68	Crown & pinon 22x37 R.=1:1,68	1	(A) 88 km/h
22	194.989	50 10 534 550	Couple conique 21x37 R.=1:1,76	Crown & pinon 21x37 R.=1:1,76	1	(A) 84 km/h
22	194.988	50 10 534 546	Couple conique 20x37 R.=1:1,85	Crown & pinon 20x37 R.=1:1,85	1	(B) 80 km/h
22	194.987	50 10 534 542	Couple conique 19x37 R.=1:1,94	Crown & pinon 19x37 R.=1:1,94	1	(B) 76 km/h
22	194.984	50 10 534 538	Couple conique 17x35 R.=1:2,05	Crown & pinon 17x35 R.=1:2,05	1	(B) 72 km/h
22	194.986	50 10 534 534	Couple conique 17x37 R.=1:2,17	Crown & pinon 17x37 R.=1:2,17	1	(C) 68 km/h
22	194.985	50 10 534 530	Couple conique 16x37 R.=1:2,31	Crown & pinon 16x37 R.=1:2,31	1	(C) 64 km/h
22	194.998	50 10 534 526	Couple conique 17x41 R.=1:2,41	Crown & pinon 17x41 R.=1:2,41	1	(C) 61 km/h
22	194.997	50 10 534 522	Couple conique 16x41 R.=1:2,56	Crown & pinon 16x41 R.=1:2,56	1	(C) 58 km/h
22	194.994	50 10 534 518	Couple conique 14x38 R.=1:2,71	Crown & pinon 14x38 R.=1:2,71	1	(D) 55 km/h
22	194.996	50 10 534 514	Couple conique 14x41 R.=1:2,92	Crown & pinon 14x41 R.=1:2,92	1	(D) 51 km/h
22	194.995	50 10 534 510	Couple conique 13x41	Crown & pinon 13x41 R.=1:3,15	1	(D) 47km/h
23	130.759	50 10 534 823	Roulement	Bearing	1	
24	154.401	50 00 671 457	Blocage différentiel	Central gear lock	1	
25	287.008	50 10 534 307	Ecrou	Nut	1	
26	130.760	50 10 241 096	Roulement	Bearing	1	
27	175.343	50 10 534 834	Demi-carter différentiel	Differential Housing Half	1	(A)
27	175.344	50 10 534 833	Demi-carter différentiel	Differential Housing Half	1	(B)
27	175.332	50 10 534 832	Demi-carter différentiel	Differential Housing Half	1	(C)
27	175.345	50 10 534 831	Demi-carter différentiel	Differential Housing Half	1	(D)
28	269.018	50 00 671 226	Rondelle	Washer	2	

## Notes

(A-B-C-D) Respecter obligatoirement l'accouplement entre la boîte différentiel et le couple conique.  
 Respect the coupling as the assembling wheelbase between the CWP and the differential housing changes.

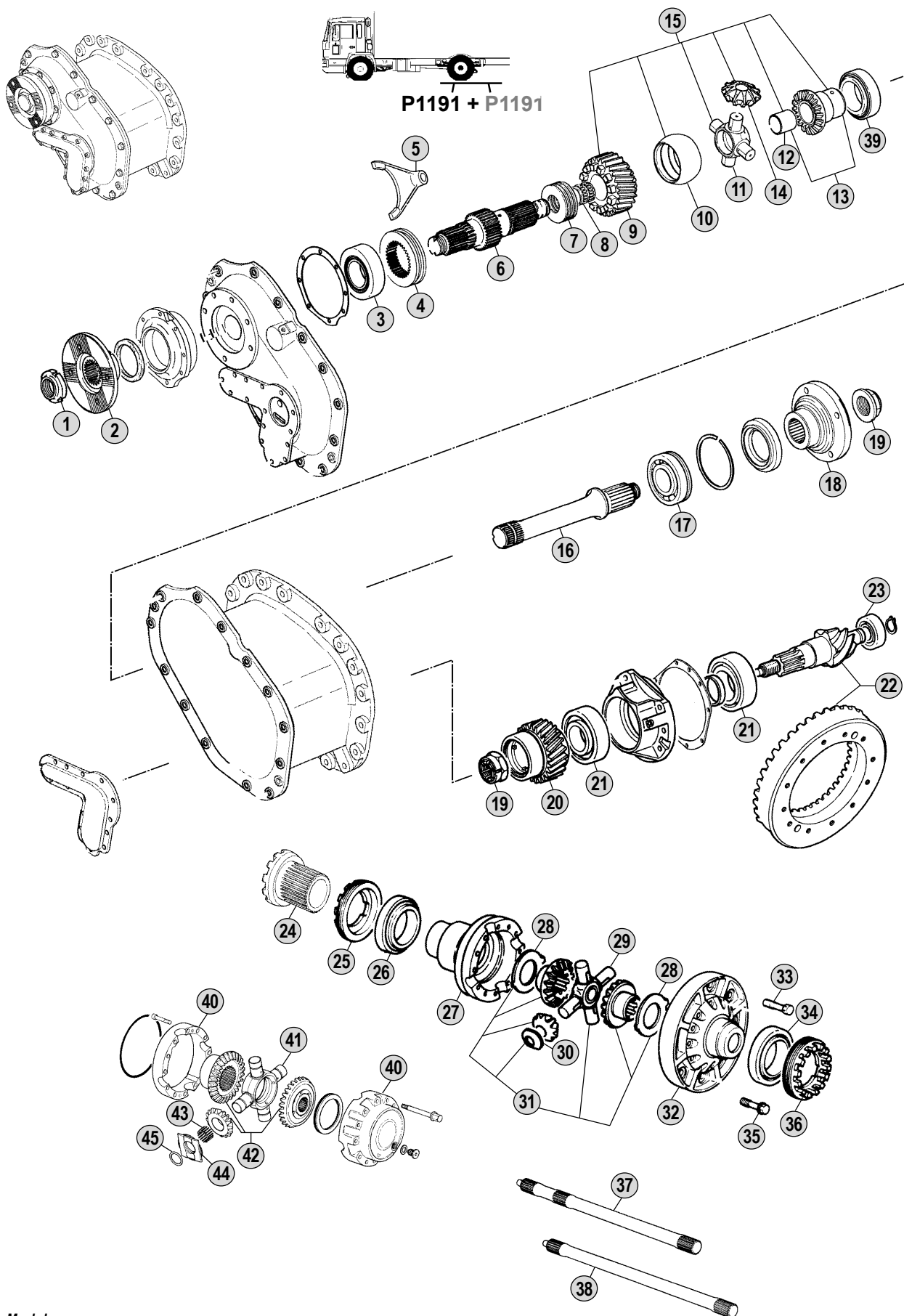
## Date

06 / 2008

## Table

0045

Adattabile a : **RENAULT V.I.**  
 Suitable To :

**P1191****Models****PREMIUM - MAGNUM - KERAX**

FAB 27JC/TC - FAB 27RC/SC - FAB 29BG - DXI7 - TR/PR (>>2002)

DXI12 - DXI13 (>>2002)

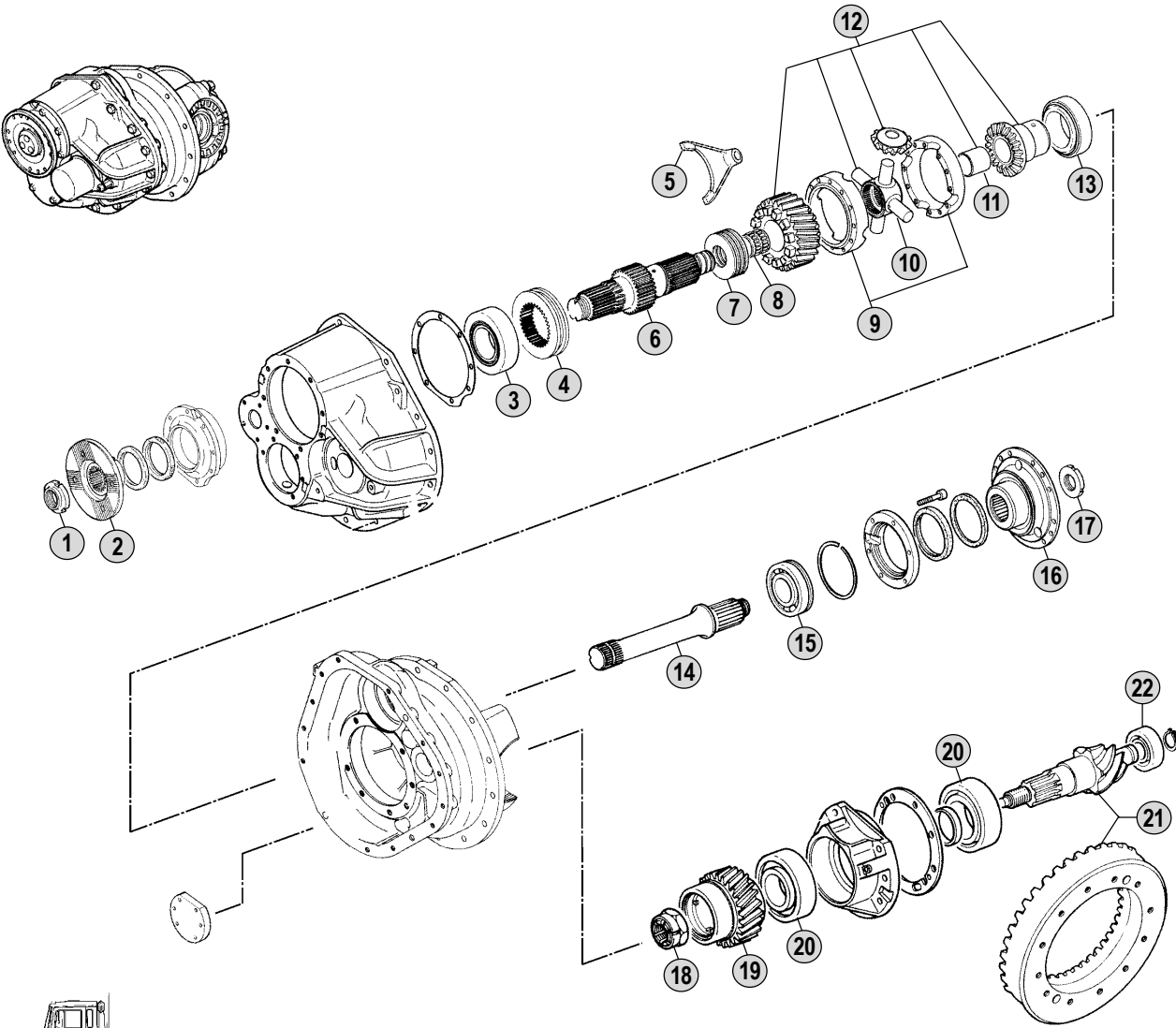
FAB 34R/F - DXI11 (>>2002)

All original equipment manufacturers' numbers, symbols and description used in this catalogue are for reference only, and it is not implied that any part listed is the product of these manufacturers. Tutti i nostri particolari non sono originali ma con essi intercambiabili. I riferimenti originali, le figure, i modelli sono esposti a semplice titolo indicativo. La nostra produzione riporta il nostro marchio.

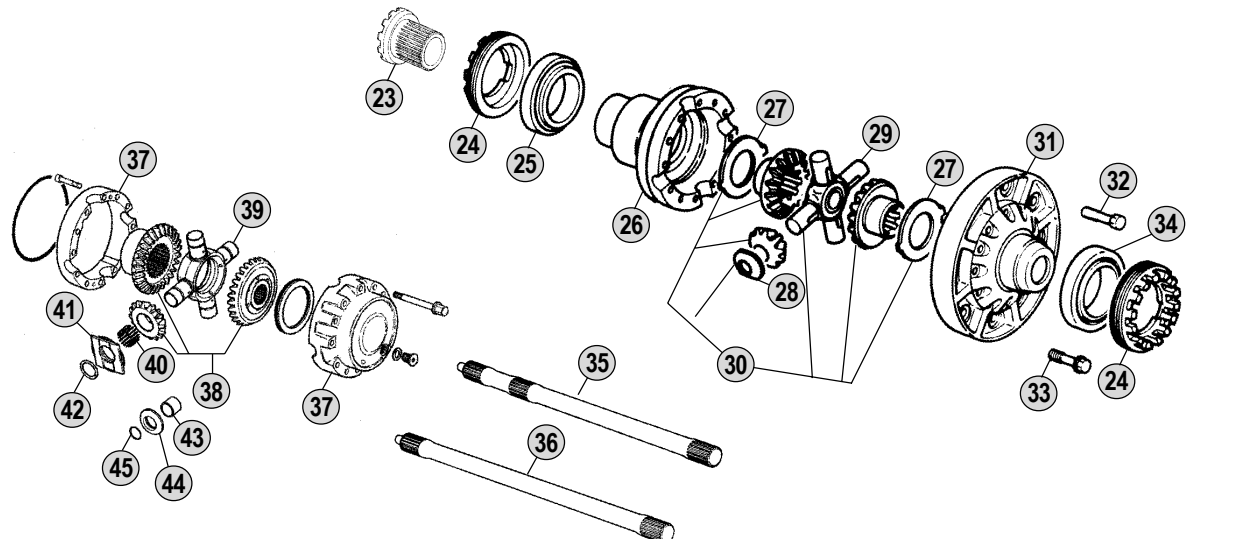


Adattabile a : **RENAULT V.I.**

**P1841B - P1845B**



**P1841B+ P1841B**



**Models**

**PREMIUM - KERAX**

FAB 22EE (>>2001)

FAB 33AA (>>2001) / FAB 33A (2000 >>2002) / FAB 33A (>>2003)

All original equipment manufacturers' numbers, symbols and description used in this catalogue are for reference only, and it is not implied that any part listed is the product of these manufactures. Tutti i nostri particolari non sono originali ma con essi intercambiabili. I riferimenti originali, le figure, i modelli sono esposti a semplice titolo indicativo. La nostra produzione riporta il nostro marchio.



Fig.	CEI no.	Rif. RVI	Description	Description	Q.ty	Note
1	187.716	50 10 372 201	Ecrou	Grooved Nut	1	
2	197.144	50 00 685 869	Bride de sortie	Output flange	1	
3	130.746	00 23 336 872	Roulem. à rouleaux	Roller bearing	1	
4	154.403	50 00 664 260	Manchon	Sleeve	1	
5	141.213	50 00 664 273	Fourchette	Fork	1	
6	<b>105.209</b>	50 10 319 148	Arbre	Shaft	1	
7	269.089	50 00 685 989	Entretoise	Shim	4	
8	130.747	50 00 685 990	Roulement a aiguilles	Needle bearing	1	
9	<b>175.312</b>	50 10 611 078	Demi-carter différentiel	Differential Housing half	1	
10	<b>133.164</b>	50 10 534 636	Croisillon	Differential spider	1	
11	<b>117.392</b>	50 05 010 002	Douille	Bush	1	
12	<b>298.072</b>	50 01 863 408	Lot de reparation différentiel	Differential kit	1	
13	130.748	50 00 788 406	Roulem.à rouleaux	Roller bearing	1	
14	170.238	50 10 319 216	Demi-essieu	Drive shaft	1	
15	130.736	50 00 788 402	Roulem à billes	Ball bearing	1	
16	197.145	50 10 319 581	Bride de sortie	Output flange	1	
17	287.003	50 10 319 149	Ecrou	Nut	1	
18	287.004	50 00 664 043	Ecrou	Nut	1	
19	146.642	50 00 664 246	Pignon	Gear	1	
20	130.745	50 00 682 795	Roulem. à rouleaux	Roller bearing	2	
21	194.957	50 10 534 703	Couple conique 19x37 R.=1:1,95	Crown & pinon 19x37 R.=1:1,95	1	(A) 100 km/h
21	194.958	50 00 682 307	Couple conique 17x35 R.=1:2,06	Crown & pinon 17x35 R.=1:2,06	1	(A) 95 km/h
21	194.959	50 10 241 049	Couple conique 17x37 R.=1:2,18	Crown & pinon 17x37 R.=1:2,18	1	(A) 89 km/h
21	194.960	50 00 682 301	Couple conique 16x37 R.=1:2,31	Crown & pinon 16x37 R.=1:2,31	1	(B) 84 km/h
21	194.961	50 00 682 286	Couple conique 17x41 R.=1:2,41	Crown & pinon 17x41 R.=1:2,41	1	(B) 81 km/h
21	194.962	50 00 682 280	Couple conique 16x41 R.=1:2,56	Crown & pinon 16x41 R.=1:2,56	1	(B) 76 km/h
21	194.963	50 00 682 353	Couple conique 14x38 R.=1:2,71	Crown & pinon 14x38 R.=1:2,71	1	(C) 72 km/h
21	194.964	50 00 682 274	Couple conique 14x41 R.=1:2,93	Crown & pinon 14x41 R.=1:2,93	1	(C) 66 km/h
21	194.965	50 00 682 350	Couple conique 13x41 R.=1:3,15	Crown & pinon 13x41 R.=1:3,15	1	(C) 62 km/h
21	194.966	50 00 682 265	Couple conique 11x38 R.=1:3,45	Crown & pinon 11x38 R.=1:3,45	1	(C) 56 km/h
21	194.967	50 00 682 033	Couple conique 11x41 R.=1:3,73	Crown & pinon 11x41 R.=1:3,73	1	(C) 52 km/h
22	130.739	50 00 785 250	Roulem à billes	Roller bearing	1	
23	154.401	50 00 671 457	Blocage différentiel	Central gear lock	1	
24	187.745	50 00 664 855	Ecrou	Nut	2	
25	130.741	50 10 534 822	Roulement	Bearing	1	
26	<b>175.306</b>	50 10 534 113	Demi-carter différentiel	Differential Housing Half	1	
27	269.018	50 00 671 226	Rondelle	Washer	2	
28	<b>269.017</b>	50 10 534 114	Rondelle	Washer	4	
29	133.163	50 10 534 983	Croisillon	Differential spider	1	
30	<b>298.037</b>	50 00 794 101	Lot de reparation	Repair kit	1	Z16 + Z11
31	<b>175.295</b>	50 10 534 112	Demi-carter différentiel	Differential Housing Half	1	(A)
31	<b>175.307</b>	50 10 534 111	Demi-carter différentiel	Differential Housing Half	1	(B)
31	175.305	50 10 534 110	Demi-carter différentiel	Differential Housing Half	1	(C)
32	187.746	50 00 682 326	Vis	Screw	12	
33	187.727	50 00 671 332	Vis	Screw	16	

## Notes

(A-B-C) Respecter obligatoirement l'accouplement entre la boîte différentiel et la couple conique.  
Respect the coupling as the assembling wheelbase between the CWP and the differential housing changes.

## Date

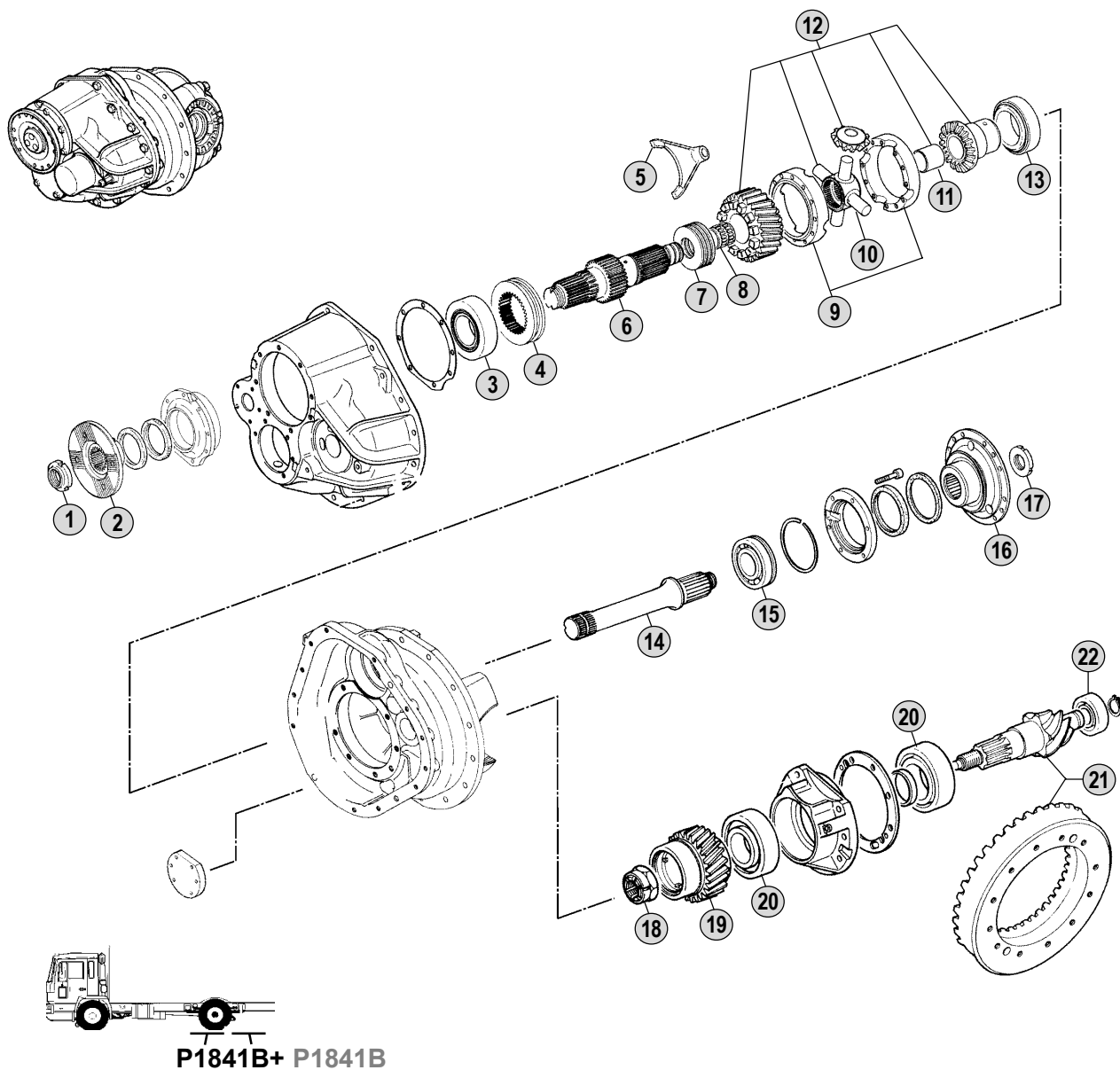
06 / 2008

## Table

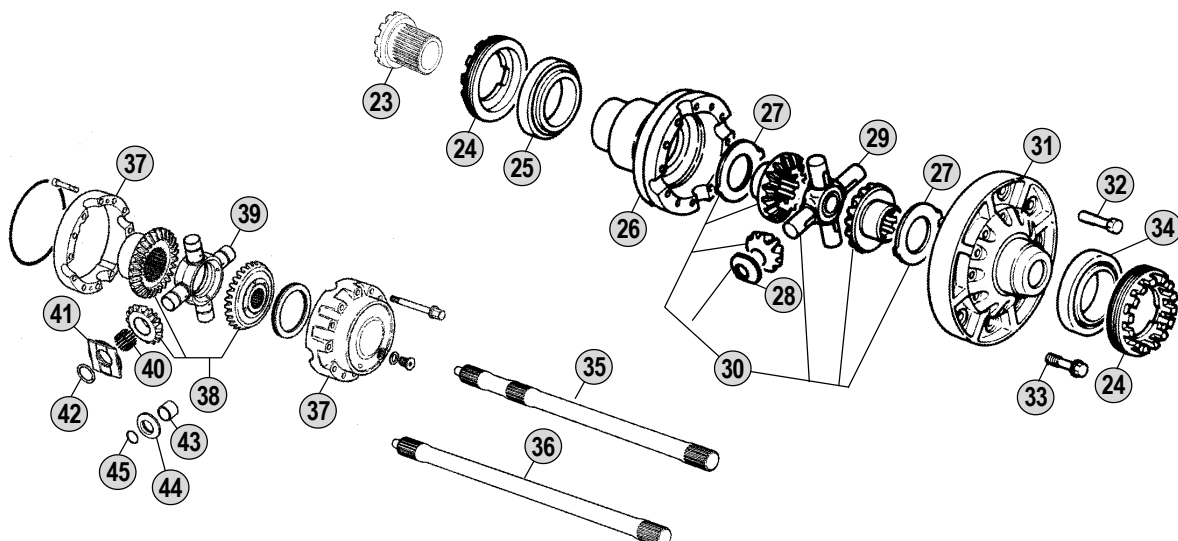
**0050**

Adattabile a : **RENAULT V.I.**

**P1841B - P1845B**



P1841B+ P1841B



Models

**PREMIUM - KERAX**

FAB 22EE (>>2001)

FAB 33AA (>>2001) / FAB 33A (2000 >>2002) / FAB 33A (>>2003)

All original equipment manufacturers' numbers, symbols and description used in this catalogue are for reference only, and it is not implied that any part listed is the product of these manufactures. Tutti i nostri particolari non sono originali ma con essi intercambiabili. I riferimenti originali, le figure, i modelli sono esposti a semplice titolo indicativo. La nostra produzione riporta il nostro marchio.

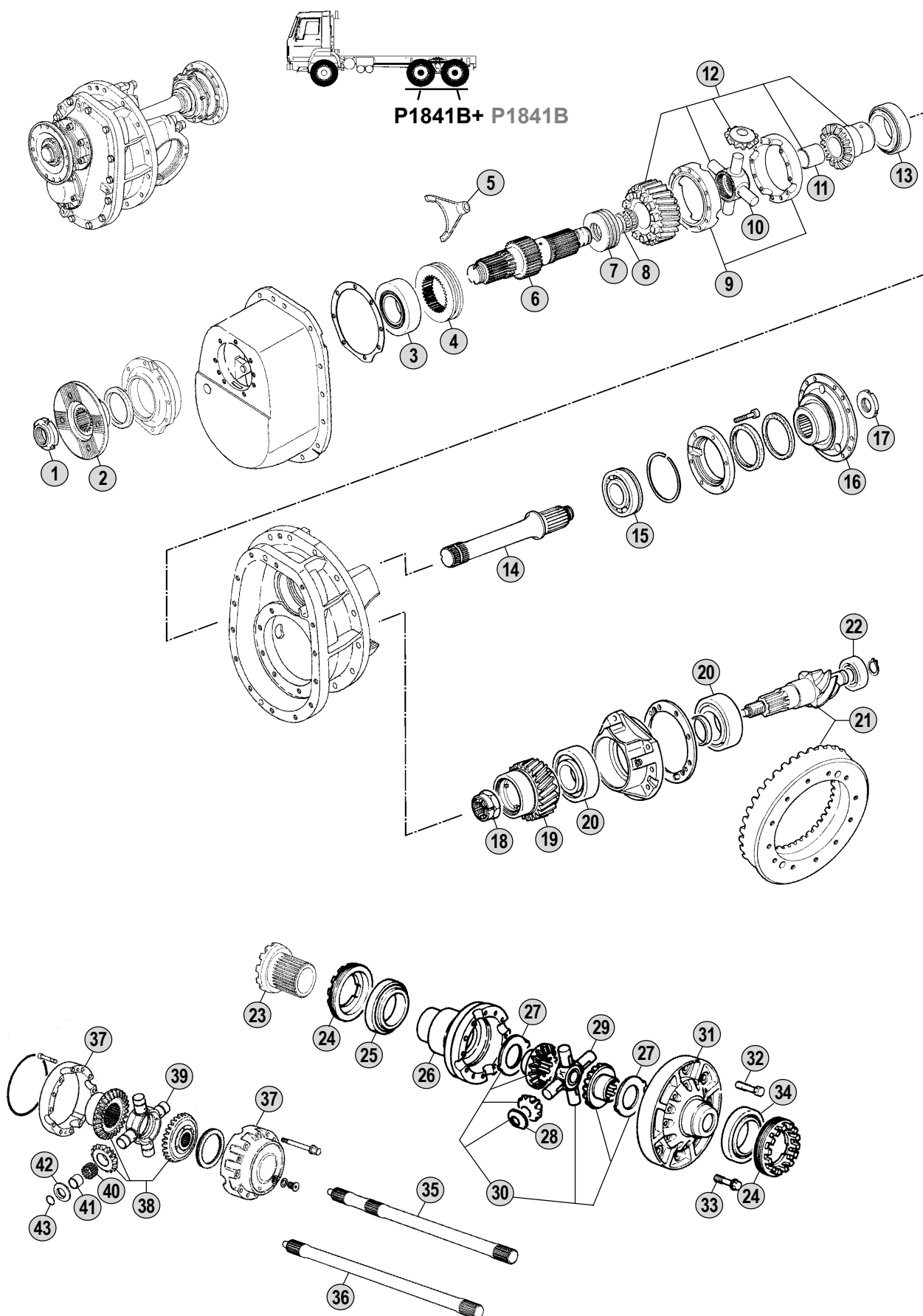






Adattabile a : **RENAULT V.I.**  
 Suitable To :

Pont Intermediaire / Intermediate Axle  
**P1841C - P1845C**



**Models**

**PREMIUM - KERAX**

FAB 22EE (>>2001)

FAB 33AA (>>2001) / FAB 33A (2000 >>2002) / FAB 33A (>>2003)

All original equipment manufacturers' numbers, symbols, pictures, models and description used in this catalogue are for reference only, and it is not implied that any part listed is the product of these manufacturers. Tutti i nostri particolari non sono originali ma con essi intercambiabili. I riferimenti originali, le figure, i modelli sono esposti a semplice titolo indicativo. La nostra produzione riporta il nostro marchio.

Fig.	CEI no.	Rif. RVI	Description	Description	Q.ty	Note
1	187.724	50 10 241 239	Ecrou	Nut	1	
2	155.228	50 10 319 125	Bride de sortie	Output Flange	1	
3	130.742	50 10 439 065	Roulem à rouleaux	Roller bearing	1	
4	154.402	50 10 319 821	Manchon	Sleeve	1	
5	141.212	50 10 319 824	Fourchette	Fork	1	
6	105.208	50 10 534 620	Arbre	Shaft	1	
7	269.089	50 00 685 989	Entretoise	Shim	4	
8	130.743	50 10 319 917	Roulement a aiguilles	Needle bearing	1	
9	175.312	50 10 611 078	Demi-carter différentiel	Differential Housing half	1	
10	133.164	50 10 534 636	Croisillon	Differential spider	1	
11	117.392	50 05 010 002	Douille	Bush	1	
12	298.071	50 01 863 200	Lot de reparation différentiel	Differential kit	1	
13	130.744	50 10 534 744	Roulem à rouleaux	Roller bearing	1	
14	170.237	50 10 319 798	Demi-essieu	Drive shaft	1	
15	130.736	50 00 788 402	Roulem à billes	Ball bearing	1	
16	197.143	50 10 443 703	Bride de sorte	Output flange	1	
17	287.003	50 10 319 149	Ecrou	Nut	1	
18	287.004	50 00 664 043	Ecrou	Nut	1	
19	146.641	50 10 319 814	Pignon	Gear	1	
20	130.745	50 00 682 795	Roulem. à rouleaux	Roller bearing	2	
21	194.953	50 10 443 865	Couple conique 19x37 R.=1:1,94	Crown & pinon 19x37 R.=1:1,94	1	(A) 100 km/h
21	194.968	50 10 534 022	Couple conique 17x35 R.=1:2,06	Crown & pinon 17x35 R.=1:2,06	1	(A) 95 km/h
21	194.954	50 10 443 869	Couple conique 17x37 R.=1:2,17	Crown & pinon 17x37 R.=1:2,17	1	(A) 89 km/h
21	194.955	50 10 443 564	Couple conique 16x37 R.=1:2,31	Crown & pinon 16x37 R.=1:2,31	1	(B) 84 km/h
21	194.839	50 10 443 562	Couple conique 16x41 R.=1:2,56	Crown & pinion 16x41 R.=1:2,56	1	(B) 76 km/h
21	194.950	50 10 443 560	Couple conique 14x41 R.=1:2,92	Crown & pinon 14x41 R.=1:2,92	1	(C) 66 km/h
21	194.951	50 10 443 787	Couple conique 13x41 R.=1:3,15	Crown & pinon 13x41 R.=1:3,15	1	(C) 62 km/h
21	194.952	50 10 443 558	Couple conique 11x38 R.=1:3,45	Crown & pinon 11x38 R.=1:3,45	1	(C) 56 km/h
21	194.969	50 10 443 556	Couple conique 10x41 R.=1:4,10	Crown & pinon 10x41 R.=1:4,10	1	(C) 47 km/h
21	194.970	50 10 443 551	Couple conique 9x41 R.=1:4,55	Crown & pinon 9x41 R.=1:4,55	1	(C) 43 km/h
21	194.971	50 10 319 912	Couple conique 8x41 R.=1:5,12	Crown & pinon 8x41 R.=1:5,12	1	(C) 38 km/h
22	130.739	50 00 785 250	Roulem à billes	Roller bearing	1	
23	154.401	50 00 671 457	Blocage différentiel	Central gear lock	1	
24	187.745	50 00 664 855	Ecrou	Nut	2	
25	130.741	50 10 534 822	Roulement	Bearing	1	
26	175.306	50 10 534 113	Demi-carter différentiel	Differential Housing Half	1	
27	269.018	50 00 671 226	Rondelle	Washer	2	
28	269.017	50 10 534 114	Rondelle	Washer	4	
29	133.163	50 10 534 983	Croisillon	Differential spider	1	
30	298.044	50 01 857 599	Lot de reparation Diff.	Differential Gear kit	1	Z14 + Z9
31	175.295	50 10 534 112	Demi-carter différentiel	Differential Housing Half	1	(A)
31	175.307	50 10 534 111	Demi-carter différentiel	Differential Housing Half	1	(B)
31	175.305	50 10 534 110	Demi-carter différentiel	Differential Housing Half	1	(C)
32	187.746	50 00 682 326	Vis	Screw	12	
33	187.727	50 00 671 332	Vis	Screw	16	

## Notes

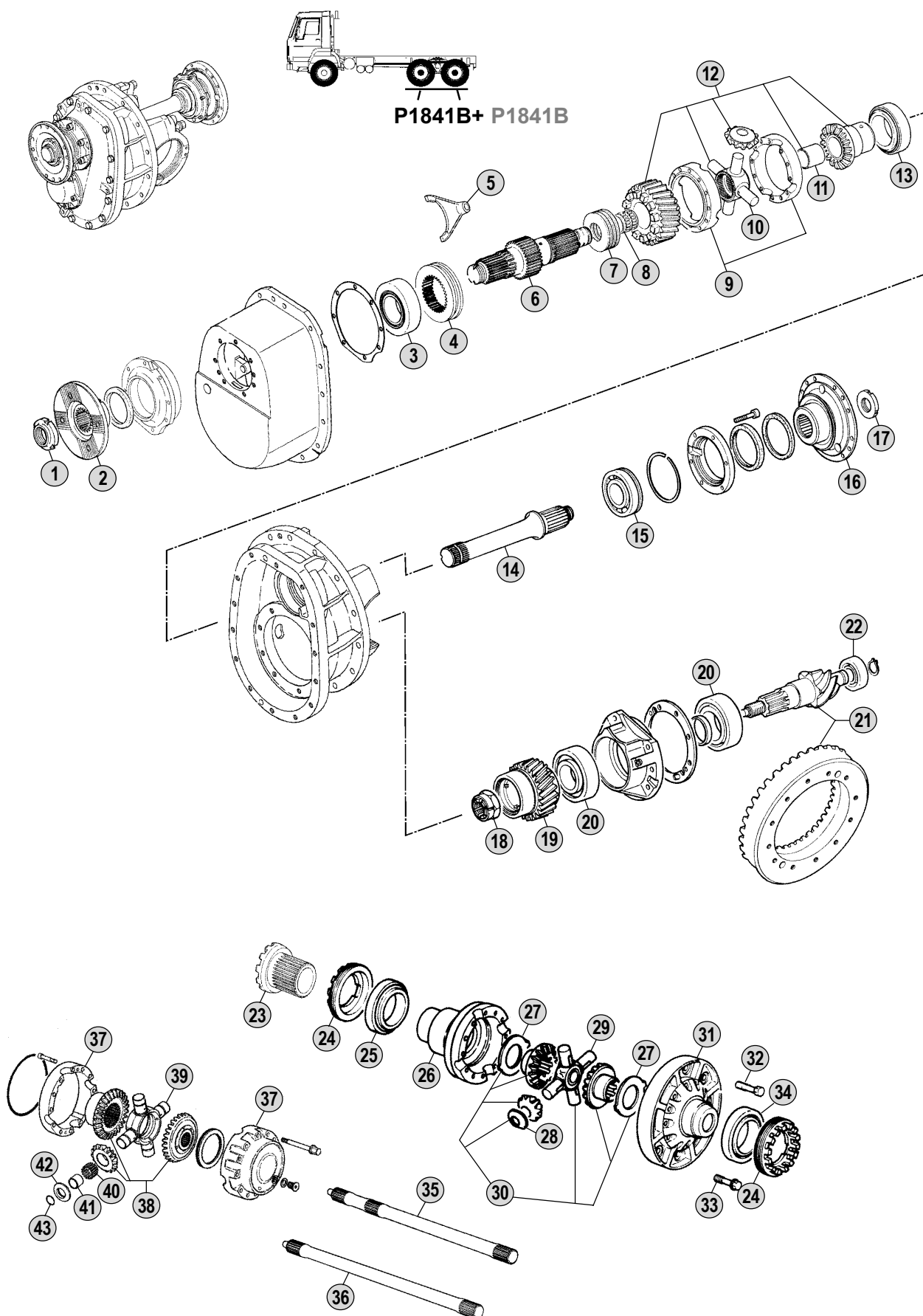
(A-B-C) Respecter obligatoirement l'accouplement entre la boîte différentiel et la couple conique.  
Respect the coupling as the assembling wheelbase between the CWP and the differential housing changes.

## Date

06 / 2008

## Table

0060

Adattabile a : **RENAULT V.I.****P1841C - P1845C****Models****PREMIUM - KERAX**

FAB 22EE (&gt;&gt;2001)

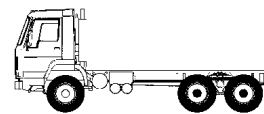
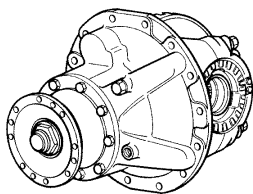
FAB 33AA (&gt;&gt;2001) / FAB 33A (2000 &gt;&gt;2002) / FAB 33A (&gt;&gt;2003)

All original equipment manufacturers' numbers, symbols, pictures, models and description used in this catalogue are for reference only, and it is not implied that any part listed is the product of these manufactures.  
 Tutti i nostri particolari non sono originali ma con essi intercambiabili. I riferimenti originali, le figure, i modelli sono esposti a semplice titolo indicativo. La nostra produzione riporta il nostro marchio.

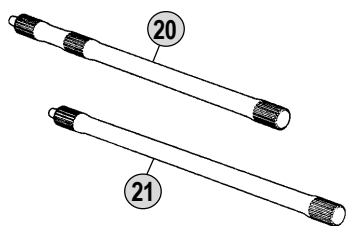
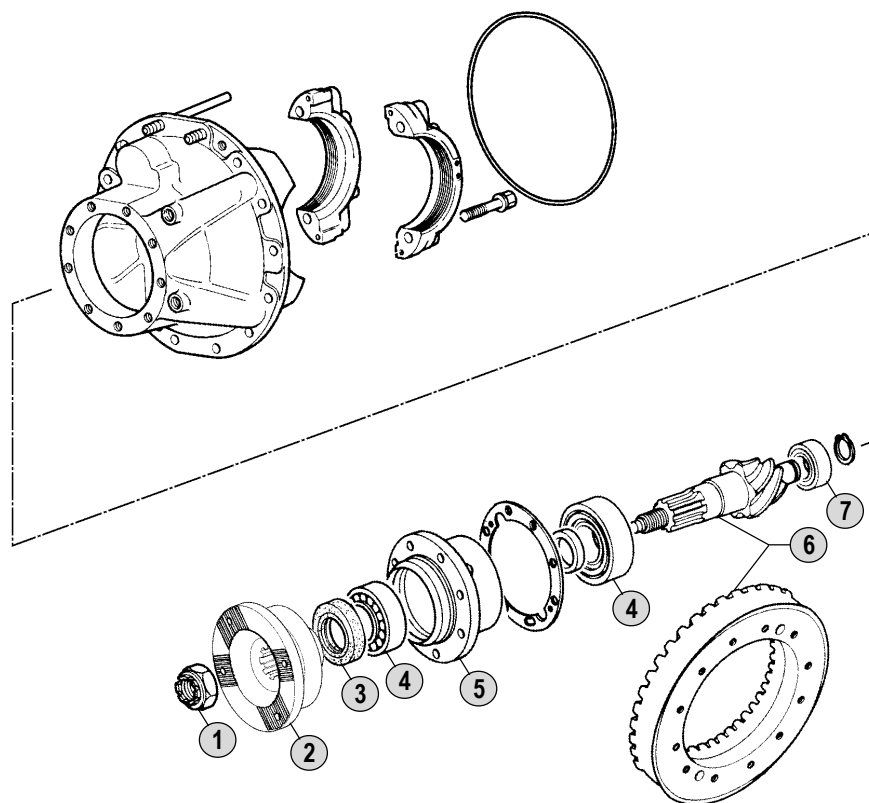
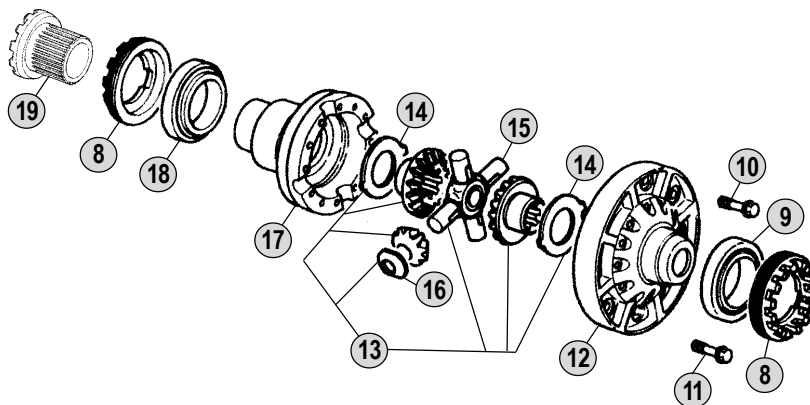


Adattabile a : **RENAULT V.I.**  
 Suitable To :

**P1141A**



P1141A + P1141A



All original equipment manufacturers' numbers, symbols and description used in this catalogue are for reference only, and it is not implied that any part listed is the product of these manufactures. Tutti i nostri particolari non sono originali ma con essi intercambiabili. I riferimenti originali, le figure, i modelli sono esposti a semplice titolo indicativo. La nostra produzione riporta il nostro marchio.

Models

**"G" MANAGER - KERAX**

"G" MANAGER 6X2-6X4 (1997<<)

FAB XX (1999<<) / FAB 33A (2000 >>2002)



Fig.	CEI no.	Rif. RVI	Description	Description	Q.ty	Note
1	287.004	50 00 664 043	Ecrou	Nut	1	
2	197.146	50 10 241 998	Bride de sortie	Output flange	1	
3	139.770	50 10 534 863	Paraolio	See 139.758	1	
4	130.745	50 00 682 795	Roulem. à rouleaux	Roller bearing	2	
5	175.317	50 00 675 546	Cuvette de roulement	Bearing housing	1	
6	<b>194.667</b>	56 00 584 421	Couple conique 21x37 R.=1:1,76	Crown & pinion 21x37 R.=1:1,76	1	(A) 100 km/h
6	<b>194.915</b>	56 00 594 920	Couple conique 20x37 R.=1:1,85	Crown & pinion 20x37 R.=1:1,85	1	(A) 95 km/h
6	<b>194.908</b>	56 00 594 919	Couple conique 19x37 R.=1:1,95	Crown & pinion 19x37 R.=1:1,95	1	(A) 90 km/h
6	<b>194.905</b>	56 00 594 918	Couple conique 17x35 R.=1:2,06	Crown & pinion 17x35 R.=1:2,06	1	(A) 86 km/h
6	<b>194.907</b>	56 00 594 917	Couple conique 17x37 R.=1:2,18	Crown & pinion 17x37 R.=1:2,18	1	(A) 81 km/h
6	<b>194.906</b>	56 00 594 916	Couple conique 16x37 R.=1:2,31	Crown & pinion 16x37 R.=1:2,31	1	(B) 76 km/h
6	<b>194.911</b>	56 00 594 915	Couple conique 17x41 R.=1:2,41	Crown & pinion 17x41 R.=1:2,41	1	(B) 73 km/h
6	<b>194.840</b>	56 00 594 914	Couple conique 16x41 R.=1:2,56	Crown & pinion 16x41 R.=1:2,56	1	(B) 69 km/h
6	<b>194.917</b>	56 00 594 913	Couple conique 14x38 R.=1:2,71	Crown & pinion 14x38 R.=1:2,71	1	(C) 65 km/h
6	<b>194.909</b>	56 00 594 912	Couple conique 14x41 R.=1:2,93	Crown & pinion 14x41 R.=1:2,93	1	(C) 60 km/h
6	194.916	56 00 594 911	Couple conique 13x41 R.=1:3,15	Crown & pinion 13x41 R.=1:3,15	1	(C) 56 km/h
6	194.910	56 00 594 910	Couple conique 11x38 R.=1:3,45	Crown & pinion 11x38 R.=1:3,45	1	(C) 51 km/h
6	194.974	56 00 594 908	Couple conique 10x41 R.=1:4,10	Crown & pinion 10x41 R.=1:4,10	1	(C) 43 km/h
6	194.972	56 00 594 907	Couple conique 9x41 R.=1:4,55	Crown & pinion 9x41 R.=1:4,55	1	(C) 39 km/h
6	194.973	56 00 594 906	Couple conique 8x41 R.=1:5,12	Crown & pinion 8x41 R.=1:5,12	1	(C) 34 km/h
7	130.739	50 00 785 250	Roulem à billes	Roller bearing	1	
8	187.745	50 00 664 855	Ecrou	Nut	2	
9	130.740	50 10 241 094	Roulem à billes	Roller bearing	1	
10	187.746	50 00 682 326	Vis	Screw	12	
11	187.727	50 00 671 332	Vis	Screw	16	
12	<b>175.295</b>	50 10 534 112	Demi-carter différentiel	Differential Housing Half	1	(A)
12	<b>175.307</b>	50 10 534 111	Demi-carter différentiel	Differential Housing Half	1	(B)
12	175.305	50 10 534 110	Demi-carter différentiel	Differential Housing Half	1	(C)
13	<b>298.037</b>	50 00 794 101	Lot de reparation	Repair kit	1	Z16 + Z11
14	269.018	50 00 671 226	Rondelle	Washer	2	
15	133.163	50 10 534 983	Croisillon	Differential spider	1	
16	<b>269.017</b>	50 10 534 114	Rondelle	Washer	4	
17	<b>175.306</b>	50 10 534 113	Demi-carter différentiel	Differential Housing Half	1	
18	130.741	50 10 534 822	Roulement	Bearing	1	
19	154.401	50 00 671 457	Blocage différentiel	Central gear lock	1	
20	170.246	50 00 675 801	Demi-essieu	Drive shaft	1	
20	170.247	50 10 534 081	Demi-essieu	Drive shaft	1	
21	170.248	50 00 675 803	Demi-essieu	Drive shaft	1	
21	170.249	50 10 534 083	Demi-essieu	Drive shaft	1	

## Notes

(A-B-C) Respecter obligatoirement l'accouplement entre la boîte différentiel et la couple conique.  
Respect the coupling as the assembling wheelbase between the CWP and the differential housing changes.

## Date

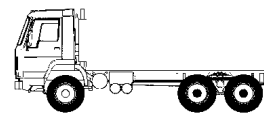
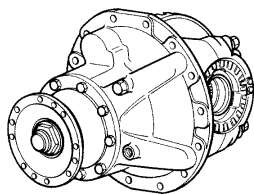
06 / 2008

## Table

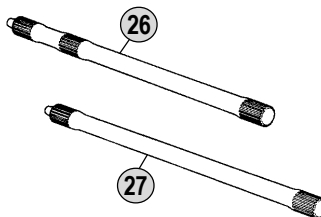
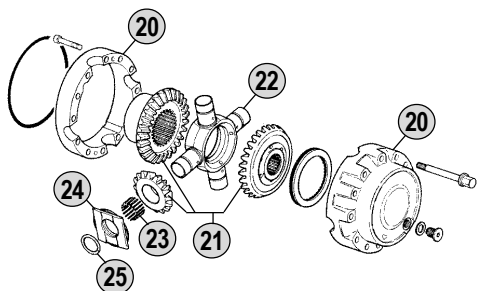
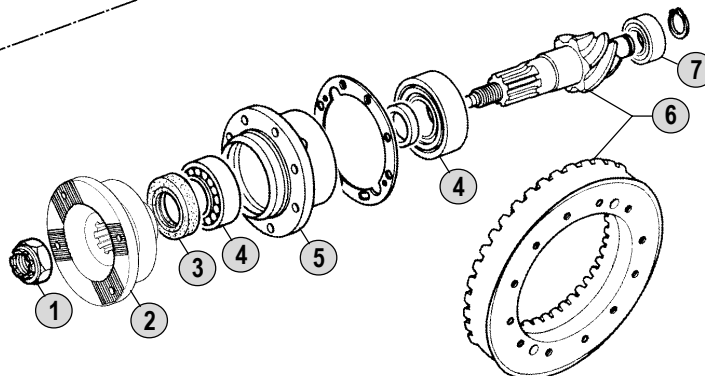
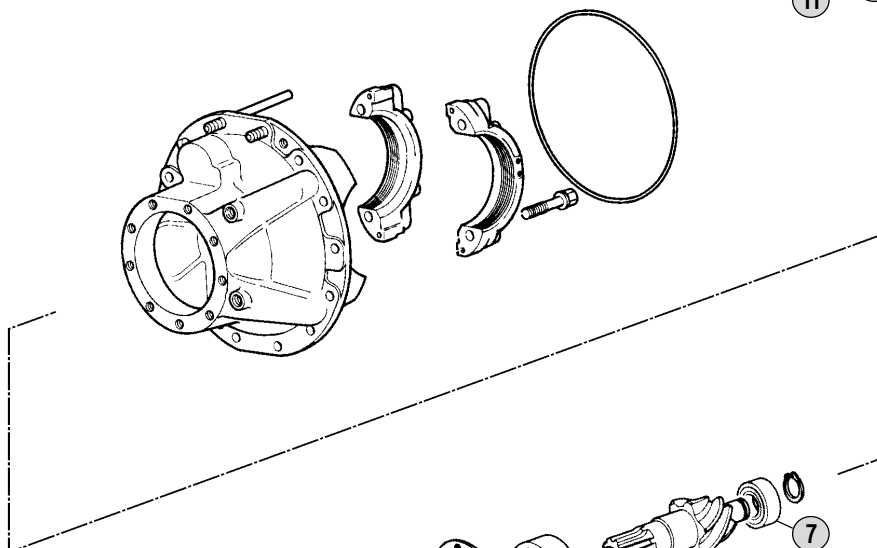
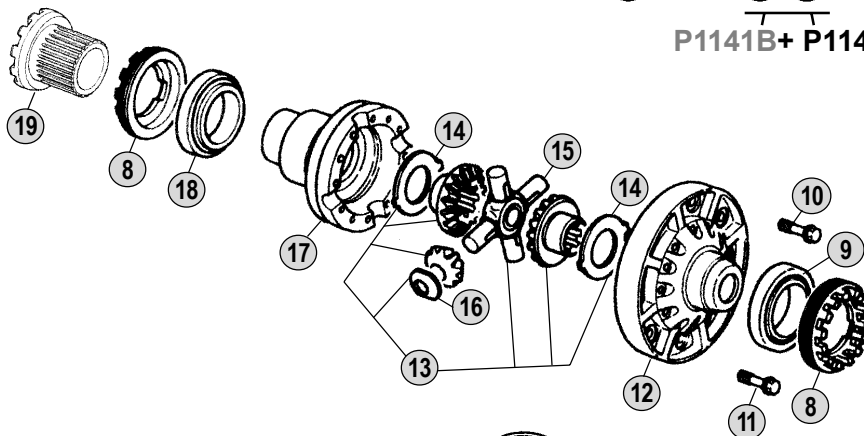
0070

Adattabile a : **RENAULT V.I.**  
Suitable To :

**P1141B**



P1141B+ P1141B



All original equipment manufacturers' numbers, symbols and description used in this catalogue are for reference only, and it is not implied that any part listed is the product of these manufactures. Tutti i nostri particolari non sono originali ma con essi intercambiabili. I riferimenti originali, le figure, i modelli sono esposti a semplice titolo indicativo. La nostra produzione riporta il nostro marchio.

Models

**"G" MANAGER - KERAX**

"G" MANAGER 6X2-6X4 (1997<<)

FAB XX (1999<<) / FAB 33A (2000 >>2002)





Fig.	CEI no.	Rif. RVI	Description	Description	Q.ty	Note
1	287.004	50 00 664 043	Ecrou	Nut	1	
2	197.146	50 10 241 998	Bride de sortie	Output flange	1	
3	139.770	50 10 534 863	Paraolio	See 139.758	1	
4	130.745	50 00 682 795	Roulem. à rouleaux	Roller bearing	2	
5	175.317	50 00 675 546	Cuvette de roulement	Bearing housing	1	
6	<b>194.667</b>	56 00 584 421	Couple conique 21x37 R.=1:1,76	Crown & pinion 21x37 R.=1:1,76	1	(A) 100 km/h
6	<b>194.915</b>	56 00 594 920	Couple conique 20x37 R.=1:1,85	Crown & pinion 20x37 R.=1:1,85	1	(A) 95 km/h
6	<b>194.908</b>	56 00 594 919	Couple conique 19x37 R.=1:1,95	Crown & pinion 19x37 R.=1:1,95	1	(A) 90 km/h
6	<b>194.905</b>	56 00 594 918	Couple conique 17x35 R.=1:2,06	Crown & pinion 17x35 R.=1:2,06	1	(A) 86 km/h
6	<b>194.907</b>	56 00 594 917	Couple conique 17x37 R.=1:2,18	Crown & pinion 17x37 R.=1:2,18	1	(A) 81 km/h
6	<b>194.906</b>	56 00 594 916	Couple conique 16x37 R.=1:2,31	Crown & pinion 16x37 R.=1:2,31	1	(B) 76 km/h
6	<b>194.911</b>	56 00 594 915	Couple conique 17x41 R.=1:2,41	Crown & pinion 17x41 R.=1:2,41	1	(B) 73 km/h
6	<b>194.840</b>	56 00 594 914	Couple conique 16x41 R.=1:2,56	Crown & pinion 16x41 R.=1:2,56	1	(B) 69 km/h
6	<b>194.917</b>	56 00 594 913	Couple conique 14x38 R.=1:2,71	Crown & pinion 14x38 R.=1:2,71	1	(C) 65 km/h
6	<b>194.909</b>	56 00 594 912	Couple conique 14x41 R.=1:2,93	Crown & pinion 14x41 R.=1:2,93	1	(C) 60 km/h
6	194.916	56 00 594 911	Couple conique 13x41 R.=1:3,15	Crown & pinion 13x41 R.=1:3,15	1	(C) 56 km/h
6	194.910	56 00 594 910	Couple conique 11x38 R.=1:3,45	Crown & pinion 11x38 R.=1:3,45	1	(C) 51 km/h
6	194.974	56 00 594 908	Couple conique 10x41 R.=1:4,10	Crown & pinion 10x41 R.=1:4,10	1	(C) 43 km/h
6	194.972	56 00 594 907	Couple conique 9x41 R.=1:4,55	Crown & pinion 9x41 R.=1:4,55	1	(C) 39 km/h
6	194.973	56 00 594 906	Couple conique 8x41 R.=1:5,12	Crown & pinion 8x41 R.=1:5,12	1	(C) 34 km/h
7	130.739	50 00 785 250	Roulem à billes	Roller bearing	1	
8	187.745	50 00 664 855	Ecrou	Nut	2	
9	130.740	50 10 241 094	Roulem à billes	Roller bearing	1	
10	187.746	50 00 682 326	Vis	Screw	12	
11	187.727	50 00 671 332	Vis	Screw	16	
12	<b>175.295</b>	50 10 534 112	Demi-carter différentiel	Differential Housing Half	1	(A)
12	<b>175.307</b>	50 10 534 111	Demi-carter différentiel	Differential Housing Half	1	(B)
12	175.305	50 10 534 110	Demi-carter différentiel	Differential Housing Half	1	(C)
13	<b>298.037</b>	50 00 794 101	Lot de reparation	Repair kit	1	Z16+Z11
13	<b>298.044</b>	50 01 857 599	Lot de reparation Diff.	Repair kit	1	Z14+Z9
14	269.018	50 00 671 226	Rondelle	Washer	2	
15	133.163	50 10 534 983	Croisillon	Differential spider	1	
16	<b>269.017</b>	50 10 534 114	Rondelle	Washer	4	
17	<b>175.306</b>	50 10 534 113	Demi-carter différentiel	Differential Housing Half	1	
18	130.741	50 10 534 822	Roulement	Bearing	1	
19	154.401	50 00 671 457	Blocage différentiel	Central gear lock	1	
20	175.315	50 00 675 811	Demi-boite réducteur roue	Wheel reduction gear half housin	1	
21	298.109	50 00 849 420	Kit réducteur roue	Wheel reduction gear kit	1	
22	133.166	50 10 534 987	Croisillon	Spider	1	
23	171.066	50 00 787 718	Aiguille de roulement	Needle	0	
24	269.090	50 10 319 505	Rondelle	Washer	4	
25	269.091	09 48 361 064	Bague	Ring	4	
26	170.246	50 00 675 801	Demi-essieu	Drive shaft	1	
26	170.247	50 10 534 081	Demi-essieu	Drive shaft	1	
27	170.248	50 00 675 803	Demi-essieu	Drive shaft	1	

## Notes

(A-B-C) Respecter obligatoirement l'accouplement entre la boîte différentiel et la couple conique.  
Respect the coupling as the assembling wheelbase between the CWP and the differential housing changes.

## Date

06 / 2008

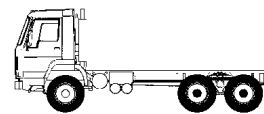
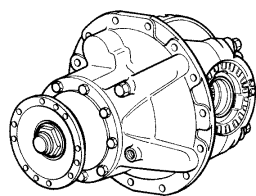
## Table

0080

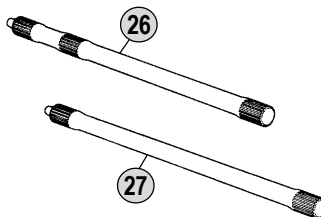
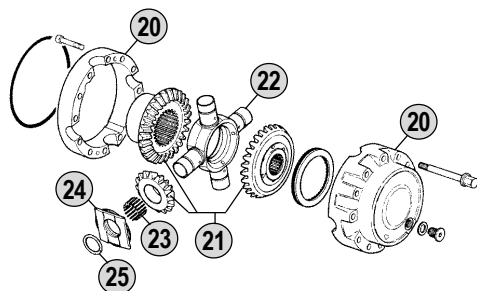
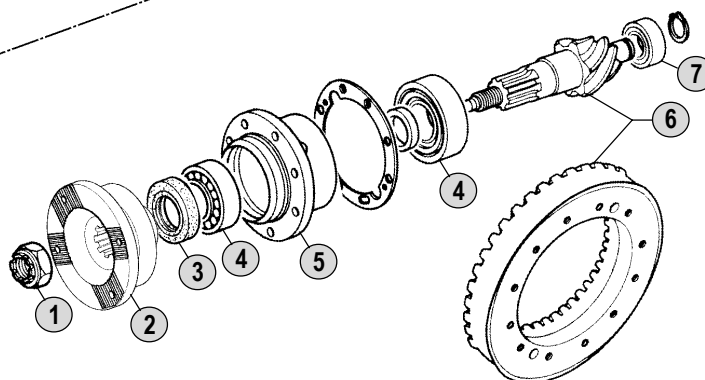
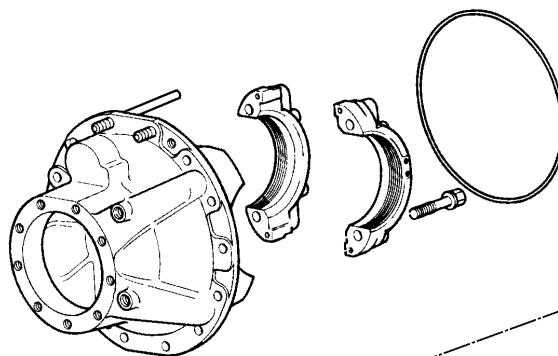
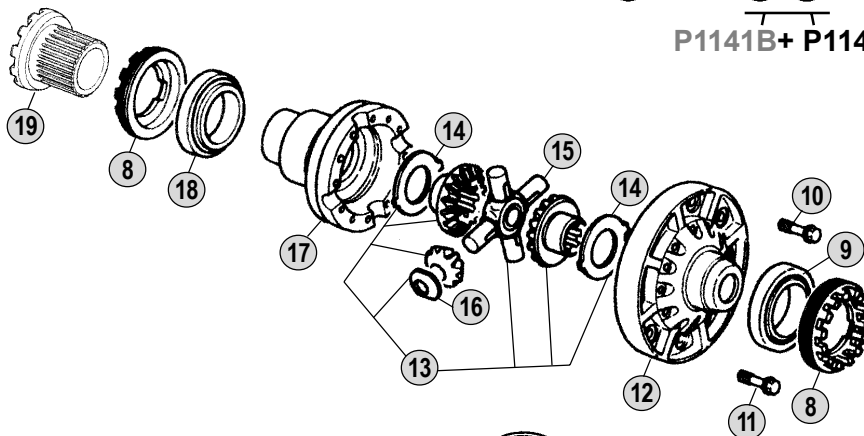
Adattabile a : **RENAULT V.I.**  
 Suitable To :

Pont Arriere / Rear Axle

**P1141B**



P1141B+ P1141B



All original equipment manufacturers' numbers, symbols and description used in this catalogue are for reference only, and it is not implied that any part listed is the product of these manufactures.  
 Tutti i nostri particolari non sono originali ma con essi intercambiabili. I riferimenti originali, le figure, i modelli sono esposti a semplice titolo indicativo. La nostra produzione riporta il nostro marchio.

**Models**

**"G" MANAGER - KERAX**

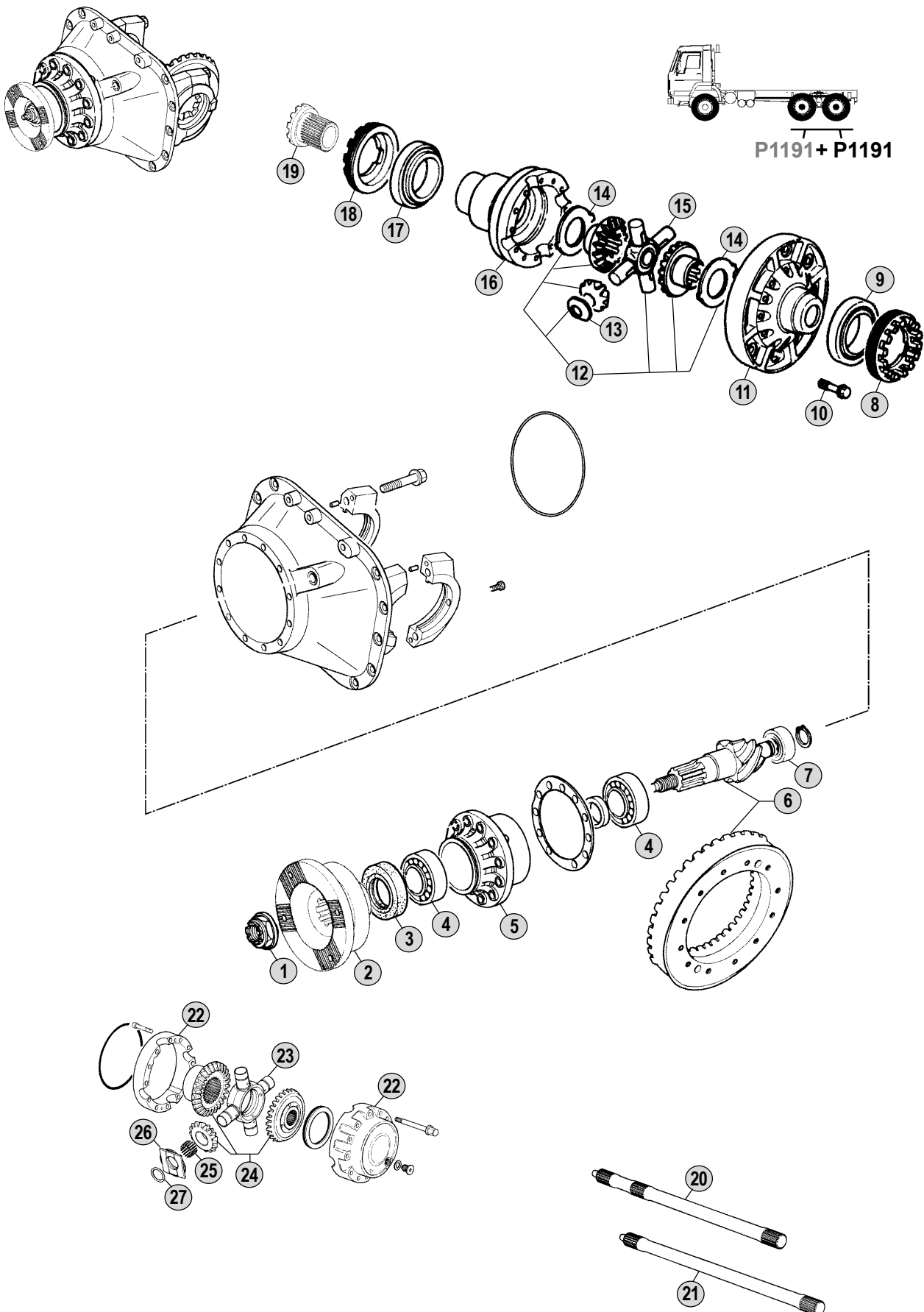
"G" MANAGER 6X2-6X4 (1997<<)

FAB XX (1999<<) / FAB 33A (2000 >>2002)



Adattabile a : **RENAULT V.I.**  
 Suitable To :

**P1191**



All original equipment manufacturers' numbers, symbols, pictures, models and description used in this catalogue are for reference only, and it is not implied that any part listed is the product of these manufactures.  
 Tutti i nostri particolari non sono originali ma con essi intercambiabili. I riferimenti originali, le figure, i modelli sono esposti a semplice titolo indicativo. La nostra produzione riporta il nostro marchio.

**Models**

**PREMIUM - MAGNUM - KERAX**

FAB 27JC/TC - FAB 27RC/SC - FAB 29BG - DXI7 - TR/PR (>>2002)

DXI12 - DXI13 (>>2002)

FAB 34R/F - DXI11 (>>2002)

Fig.	CEI no.	Rif. RVI	Description	Description	Q.ty	Note
1	287.007	50 10 534 648	Ecrou	Nut	1	
2	197.146	50 10 241 998	Bride de sortie	Output flange	1	
3	<b>139.758</b>	50 10 534 863	Bague etancheite	Oil seal	1	
4	130.745	50 00 682 795	Roulem. à rouleaux	Roller bearing	2	
5	175.334	50 10 534 804	Cuvette de roulement	Bearing housing	1	
6	194.999	56 00 664 970	Couple conique 25x37 R.=1:1,48	Crown & pinon 25x37 R.=1:1,48	1	(A) 100 km/h
6	294.001	56 00 664 969	Couple conique 24x37 R.=1:1,54	Crown & pinon 24x37 R.=1:1,54	1	(A) 96 km/h
6	294.002	56 00 664 968	Couple conique 23x37 R.=1:1,60	Crown & pinon 23x37 R.=1:1,60	1	(A) 92 km/h
6	294.003	56 00 664 967	Couple conique 22x37 R.=1:1,68	Crown & pinon 22x37 R.=1:1,68	1	(A) 88 km/h
6	294.004	56 00 664 966	Couple conique 21x37 R.=1:1,76	Crown & pinon 21x37 R.=1:1,76	1	(A) 84 km/h
6	294.005	56 00 664 965	Couple conique 20x37 R.=1:1,85	Crown & pinon 20x37 R.=1:1,85	1	(B) 80 km/h
6	294.006	56 00 664 964	Couple conique 19x37 R.=1:1,95	Crown & pinon 19x37 R.=1:1,95	1	(B) 76 km/h
6	294.007	56 00 664 963	Couple conique 17x35 R.=1:2,06	Crown & pinon 17x35 R.=1:2,06	1	(B) 72 km/h
6	294.008	56 00 664 962	Couple conique 17x37 R.=1:2,18	Crown & pinon 17x37 R.=1:2,18	1	(C) 68 km/h
6	294.009	56 00 664 961	Couple conique 16x37 R.=1:2,31	Crown & pinon 16x37 R.=1:2,31	1	(C) 64 km/h
6	294.010	56 00 664 960	Couple conique 17x41 R.=1:2,41	Crown & pinon 17x41 R.=1:2,41	1	(C) 61 km/h
6	294.011	56 00 664 959	Couple conique 16x41 R.=1:2,56	Crown & pinon 16x41 R.=1:2,56	1	(C) 58 km/h
6	294.012	56 00 664 958	Couple conique 14x38 R.=1:2,71	Crown & pinon 14x38 R.=1:2,71	1	(D) 55 km/h
6	294.013	56 00 664 957	Couple conique 14x41 R.=1:2,93	Crown & pinon 14x41 R.=1:2,93	1	(D) 51 km/h
6	294.014	56 00 664 956	Couple conique 13x41 R.=1:3,15	Crown & pinon 13x41 R.=1:3,15	1	(D) 47 km/h
7	130.759	50 10 534 823	Roulement	Bearing	1	
8	287.008	50 10 534 307	Ecrou	Nut	1	
9	130.762	50 10 534 836	Roulement	Bearing	1	
10	287.009	50 10 534 364	Vis	Screw	12	
11	175.337	50 10 534 355	Demi-carter différentiel	Differential housing half	1	(A)
11	175.336	50 10 534 354	Demi-carter différentiel	Differential housing half	1	(B)
11	175.335	50 10 534 353	Demi-carter différentiel	Differential housing half	1	(C)
11	175.338	50 10 534 352	Demi-carter différentiel	Differential housing half	1	(D)
12	<b>298.079</b>	50 01 865 510	Lot de reparation diff.	Repair Kit	1	
13	<b>269.017</b>	50 10 534 114	Rondelle	Washer	4	
14	269.018	50 00 671 226	Rondelle	Washer	2	
15	133.163	50 10 534 983	Croisillon	Differential spider	1	
16	175.339	50 10 534 357	Demi-carter différentiel	Differential Housing Half	1	(AB)
16	<b>175.306</b>	50 10 534 113	Demi-carter différentiel	Differential Housing Half	1	(CD)
17	130.760	50 10 241 096	Roulement	Bearing	1	(ABC)
17	130.741	50 10 534 822	Roulement	Bearing	1	(D)
18	287.010	50 10 534 384	Ecrou	Nut	1	
19	154.401	50 00 671 457	Blocage différentiel	Central gear lock	1	
20	170.268	50 10 534 872	Demi-essieu	Drive shaft	1	
21	170.242	50 10 534 086	Demi-essieu	Drive shaft	1	
22	175.314	50 00 664 413	Demi-boite réducteur roue	Wheel reduction gear half housin	1	
23	133.166	50 10 534 987	Croisillon	Spider	1	
24	298.117	50 10 611 251	Kit réducteur roue	Wheel reduction gear kit	1	
25	171.066	50 00 787 718	Aiguille de roulement	Needle	0	
26	269.090	50 10 319 505	Rondelle	Washer	4	

## Notes

(A-B-C-D) Respecter obligatoirement l'accouplement entre la boîte différentiel et la couple conique.

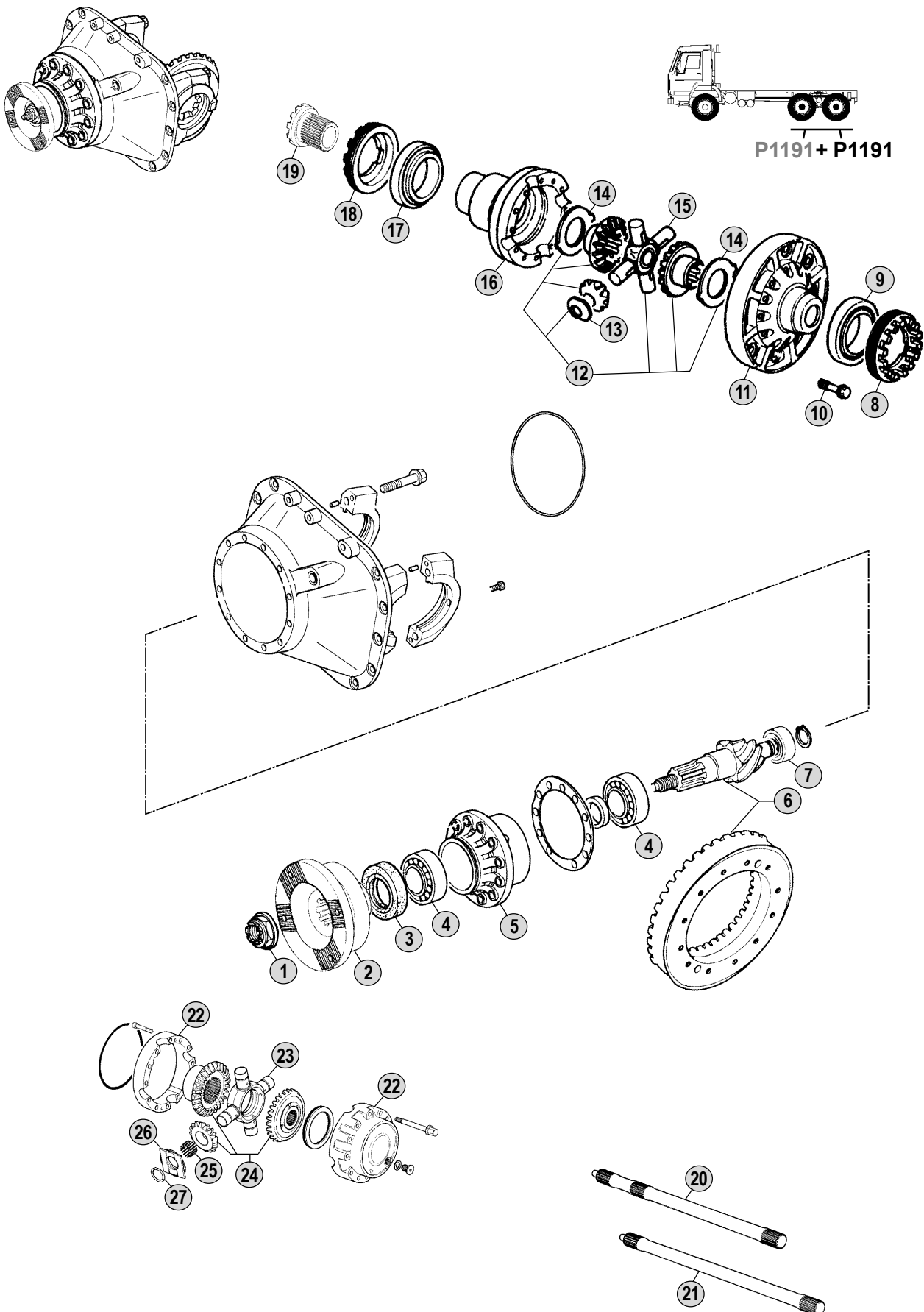
Respect the coupling as the assembling wheelbase between the CWP and the differential housing changes.

## Date

06 / 2008

## Table

0085

Adattabile a : **RENAULT V.I.****P1191**

All original equipment manufacturers' numbers, symbols, and description used in this catalogue are for reference only, and it is not implied that any part listed is the product of these manufactures. Tutti i nostri particolari non sono originali ma con essi intercambiabili. I riferimenti originali, le figure, i modelli sono esposti a semplice titolo indicativo. La nostra produzione riporta il nostro marchio.

**Models****PREMIUM - MAGNUM - KERAX**

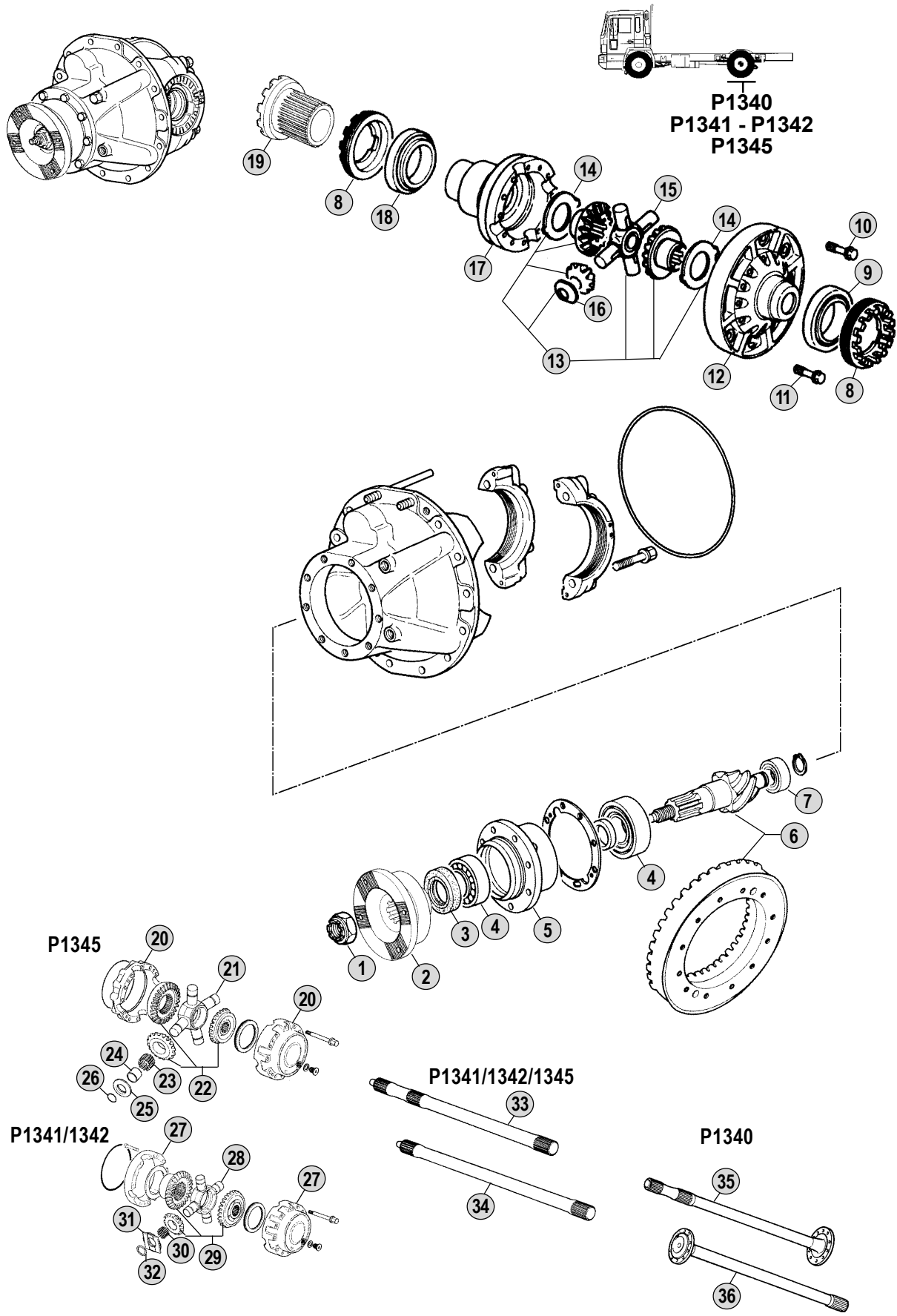
FAB 27JC/TC - FAB 27RC/SC - FAB 29BG - DXI7 - TR/PR (&gt;&gt;2002)

DXI12 - DXI13 (&gt;&gt;2002)

FAB 34R/F - DXI11 (&gt;&gt;2002)



Adattabile a : **RENAULT V.I. P1340/1341/1342/1345**  
Suitable To :



All original equipment manufacturers' numbers, symbols, models and description used in this catalogue are for reference only, and it is not implied that any part listed is the product of these manufactures. Tutti i nostri particolari non sono originali ma con essi intercambiabili. I riferimenti originali, le figure, i modelli sono esposti a semplice titolo indicativo. La nostra produzione riporta il nostro marchio.

Models

**PREMIUM - MAGNUM - KERAX**

FAB 22A (>>2000) / FAB 22E(>>2000) / FAB 22EE (>>2001) / PR-TR (>>1999)

FAB 33AA (>>2001) / FAB 33A (2000 >>2002) / FAB 33A (>>2003)

AE390/420TI/430/470/560





Fig.	CEI no.	Rif. RVI	Description	Description	Q.ty	Note
1	287.004	50 00 664 043	Ecrou	Nut	1	
2	197.146	50 10 241 998	Bride de sortie	Output flange	1	
3	139.770	50 10 534 863	Paraolio	See 139.758	1	
4	130.745	50 00 682 795	Roulem. à rouleaux	Roller bearing	2	
5	175.318	50 00 675 727	Cuvette de roulement	Bearing housing	1	(P1340)
5	175.317	50 00 675 546	Cuvette de roulement	Bearing housing	1	(P1341/1342/1345)
6	194.667	56 00 584 421	Couple conique 21x37 R.=1:1,76	Crown & pinion 21x37 R.=1:1,76	1	(A) 100 km/h
6	194.915	56 00 594 920	Couple conique 20x37 R.=1:1,85	Crown & pinion 20x37 R.=1:1,85	1	(A) 95 km/h
6	194.908	56 00 594 919	Couple conique 19x37 R.=1:1,95	Crown & pinion 19x37 R.=1:1,95	1	(A) 90 km/h
6	194.905	56 00 594 918	Couple conique 17x35 R.=1:2,06	Crown & pinion 17x35 R.=1:2,06	1	(A) 86 km/h
6	194.907	56 00 594 917	Couple conique 17x37 R.=1:2,18	Crown & pinion 17x37 R.=1:2,18	1	(A) 81 km/h
6	194.906	56 00 594 916	Couple conique 16x37 R.=1:2,31	Crown & pinion 16x37 R.=1:2,31	1	(B) 76 km/h
6	194.911	56 00 594 915	Couple conique 17x41 R.=1:2,41	Crown & pinion 17x41 R.=1:2,41	1	(B) 73 km/h
6	194.840	56 00 594 914	Couple conique 16x41 R.=1:2,56	Crown & pinion 16x41 R.=1:2,56	1	(B) 69 km/h
6	194.917	56 00 594 913	Couple conique 14x38 R.=1:2,71	Crown & pinion 14x38 R.=1:2,71	1	(C) 65 km/h
6	194.909	56 00 594 912	Couple conique 14x41 R.=1:2,93	Crown & pinion 14x41 R.=1:2,93	1	(C) 60 km/h
6	194.916	56 00 594 911	Couple conique 13x41 R.=1:3,15	Crown & pinion 13x41 R.=1:3,15	1	(C) 56 km/h
6	194.910	56 00 594 910	Couple conique 11x38 R.=1:3,45	Crown & pinion 11x38 R.=1:3,45	1	(C) 51 km/h
6	194.975	56 00 594 909	Couple conique 11x41 R.=3,73	Crown & pinion 11x41 R.=3,73	1	(C) 47 km/h
6	194.974	56 00 594 908	Couple conique 10x41 R.=1:4,10	Crown & pinion 10x41 R.=1:4,10	1	(C) 43 km/h
6	194.972	56 00 594 907	Couple conique 9x41 R.=1:4,55	Crown & pinion 9x41 R.=1:4,55	1	(C) 39 km/h
6	194.973	56 00 594 906	Couple conique 8x41 R.=1:5,12	Crown & pinion 8x41 R.=1:5,12	1	(C) 34 km/h
7	130.739	50 00 785 250	Roulem à billes	Roller bearing	1	
8	187.745	50 00 664 855	Ecrou	Nut	2	
9	130.740	50 10 241 094	Roulem à billes	Roller bearing	1	
10	187.746	50 00 682 326	Vis	Screw	12	
11	187.727	50 00 671 332	Vis	Screw	16	
12	175.295	50 10 534 112	Demi-carter différentiel	Differential Housing Half	1	(A)
12	175.307	50 10 534 111	Demi-carter différentiel	Differential Housing Half	1	(B)
12	175.305	50 10 534 110	Demi-carter différentiel	Differential Housing Half	1	(C)
13	298.037	50 00 794 101	Lot de reparation	Repair kit	1	Z16+Z11
14	269.018	50 00 671 226	Rondelle	Washer	2	
15	133.163	50 10 534 983	Croisillon	Differential spider	1	
16	269.017	50 10 534 114	Rondelle	Washer	4	
17	175.306	50 10 534 113	Demi-carter différentiel	Differential Housing Half	1	
18	130.741	50 10 534 822	Roulement	Bearing	1	
19	154.401	50 00 671 457	Blocage différentiel	Central gear lock	1	
20	175.316	50 10 319 268	Demi-boite réducteur roue	Wheel reduction gear half housin	1	(P1345)
21	133.167	50 00 664 943	Croisillon	Spider	1	(P1345)
22	298.080	50 00 849 555	Kit réducteur roue	Wheel reduction gear kit	1	(P1345)
23	171.067	50 10 443 948	Aiguille de roulement	Needle	0	(P1345)
24	117.393	50 10 443 950	Douille	Bush	4	(P1345)
25	269.092	50 10 319 517	Rondelle	Washer	4	(P1345)
26	269.093	50 03 065 128	Bague	Ring	4	(P1345)
27	175.315	50 00 675 811	Demi-boite réducteur roue	Wheel reduction gear half housin	1	(P1341)

## Notes

(A-B-C) Respecter obligatoirement l'accouplement entre la boîte différentiel et la couple conique.  
Respect the coupling as the assembling wheelbase between the CWP and the differential housing changes.

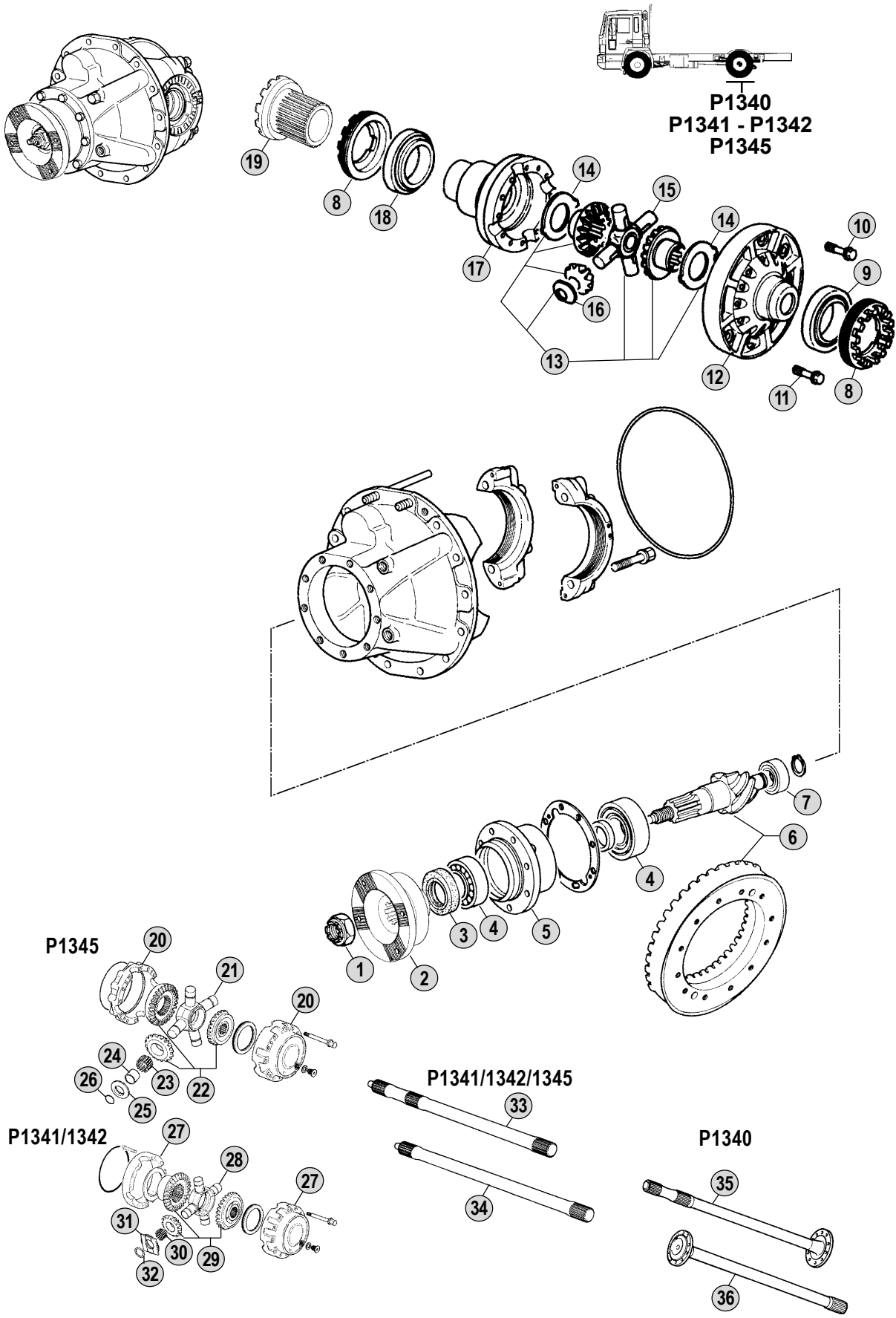
## Date

06 / 2008

## Table

0090

Adattabile a : **RENAULT V.I. P1340/1341/1342/1345**  
Suitable To :



All original equipment manufacturers' numbers, symbols, pictures, models and description used in this catalogue are for reference only, and it is not implied that any part listed is the product of these manufactures. Tutti i nostri particolari non sono originali ma con essi intercambiabili. I riferimenti originali, le figure, i modelli sono esposti a semplice titolo indicativo. La nostra produzione riporta il nostro marchio.

Models

**PREMIUM - MAGNUM - KERAX**

FAB 22A (>>2000) / FAB 22E(>>2000) / FAB 22EE (>>2001) / PR-TR (>>1999)

FAB 33AA (>>2001) / FAB 33A (2000 >>2002) / FAB 33A (>>2003)

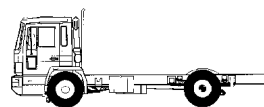
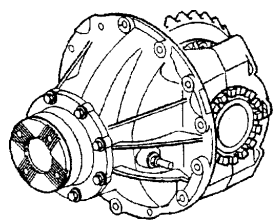
AE390/420TI/430/470/560



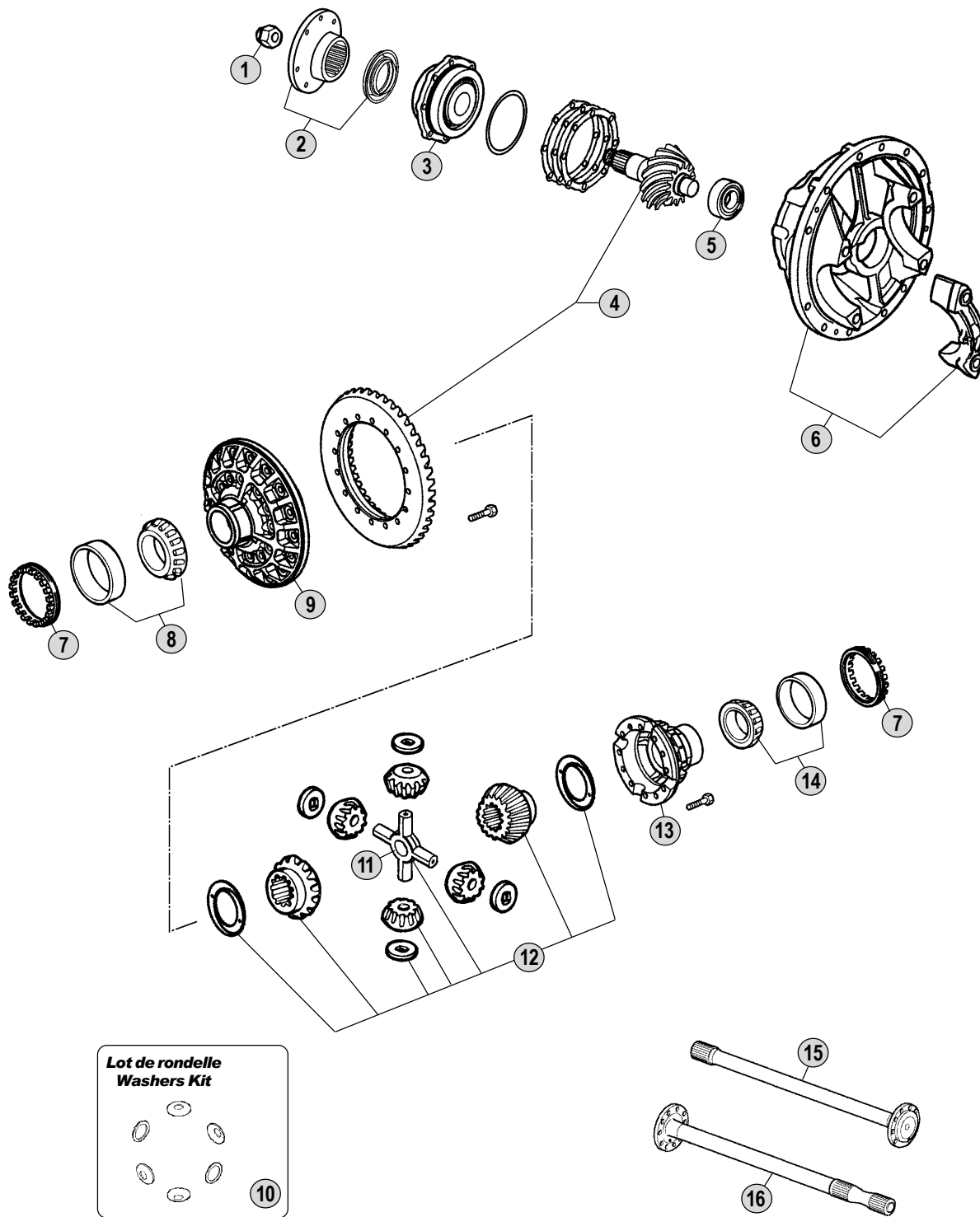


Adattabile a : **RENAULT V.I.**  
Suitable To :

**MS1350**



MS1350



All original equipment manufacturers' numbers, symbols, models and description used in this catalogue are for reference only, and it is not implied that any part listed is the product of these manufactures. Tutti i nostri particolari non sono originali ma con essi intercambiabili. I riferimenti originali, le figure, i modelli sono esposti a semplice titolo indicativo. La nostra produzione riporta il nostro marchio.

Models

**MIDLUM - PREMIUM**

DXI 5

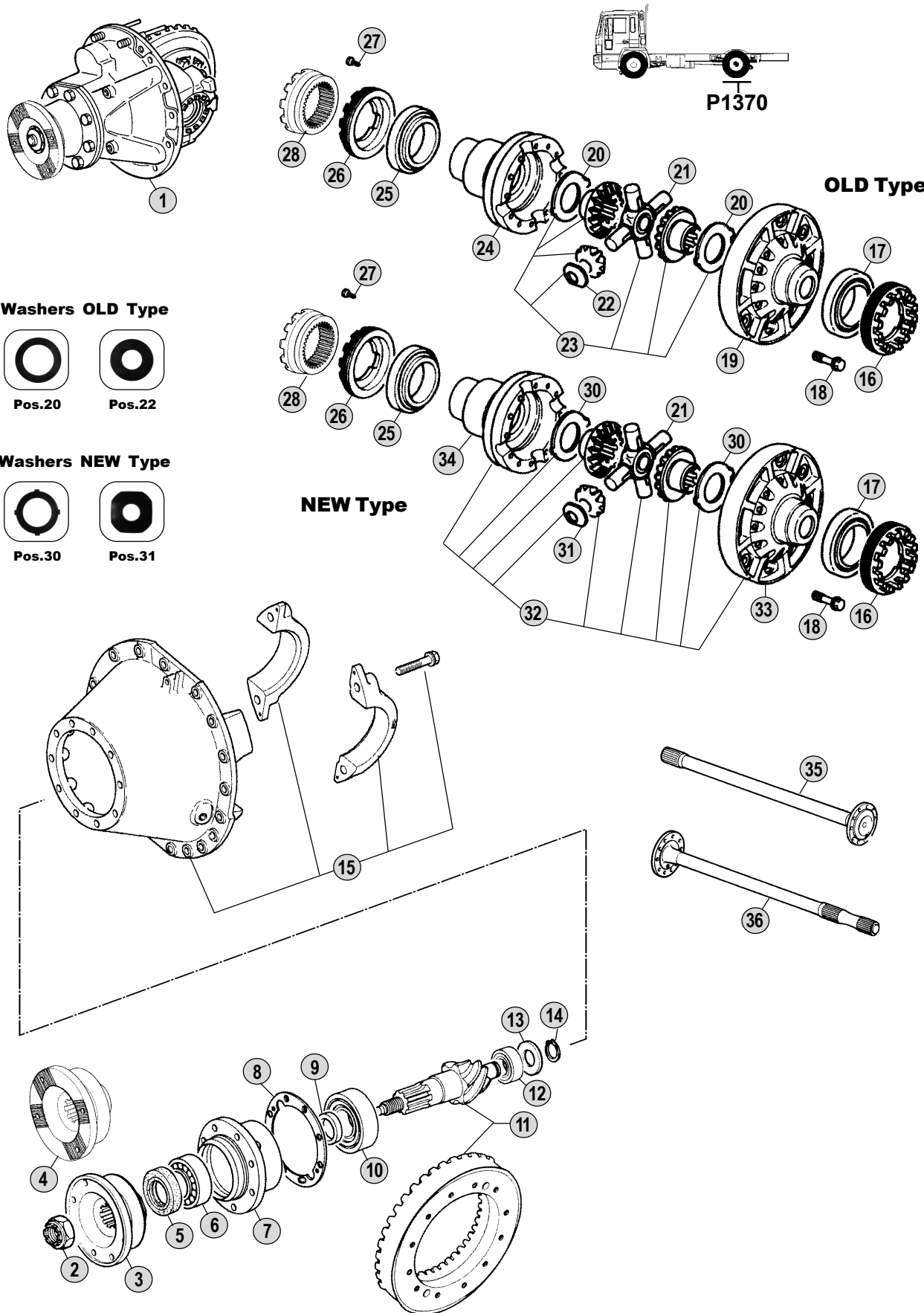
DXI 7





Adattabile a : **RENAULT V.I.**  
Suitable To :

**P1370**



**Washers OLD Type**



Pos.20



Pos.22

**Washers NEW Type**



Pos.30



Pos.31

All original equipment manufacturers' numbers, symbols, pictures, models and description used in this catalogue are for reference only, and it is not implied that any part listed is the product of these manufactures. Tutti i nostri particolari non sono originali ma con essi intercambiabili. I riferimenti originali, le figure, i modelli sono esposti a semplice titolo indicativo. La nostra produzione riporta il nostro marchio.

**Models**

**PREMIUM - MAGNUM**

FAB 22A (>>2000) / FAB 22E(>>2000) / FAB 22EE (>>2001) / PR-TR (>>1999)

FAC 22CC (>>2000) / MAGNUM E-TECH 400/440/480

AE390/420T/430/470/560



Fig.	CEI no.	Rif. RVI	Description	Description	Q.ty	Note
1	280.645	56 00 584 804	Différentiel 14x37 R.=1:2,64	Central Gear 14x37 R.=1:2,64	1	100 km/h
1	280.634	56 00 584 805	Différentiel 13x37 R.=1:2,85	Central Gear 13x37 R.=1:2,85	1	93 km/h
1	<b>280.643</b>	56 00 584 806	Différentiel 12x37 R.=1:3,08	Central Gear 12x37 R.=1:3,08	1	86 km/h
1	<b>280.642</b>	56 00 584 807	Différentiel 11x37 R.=1:3,36	Central Gear 11x37 R.=1:3,36	1	79 km/h
1	<b>280.640</b>	56 00 584 808	Différentiel 10x37 R.=1:3,70	Central Gear 10x37 R.=1:3,70	1	71 km/h
1	<b>280.638</b>	56 00 584 809	Différentiel 9x37 R.=1:4,11	Central Gear 9x37 R.=1:4,11	1	64 km/h
1	<b>280.633</b>	56 00 584 810	Différentiel 8x37 R.=1:4,62	Central gear 8x37 R.=1:4,62	1	57 km/h
1	280.635	56 00 584 811	Différentiel 7x37 R.=1:5,28	Central Gear 7x37 R.=1:5,28	1	50 km/h
2	<b>187.724</b>	50 10 241 239	Ecrou	Nut	1	
3	197.147	50 10 319 124	Bride de sortie	Output Flange	1	
4	<b>155.228</b>	50 10 319 125	Bride de sortie	Output Flange	1	
5	<b>139.758</b>	50 10 534 863	Bague etancheite	Oil seal	1	
6	<b>130.708</b>	50 10 241 401	Roulement à rouleaux D.65x130x37	Roller bearing D.65x130x37	1	
7	<b>175.301</b>	50 10 319 040	Carter roulement	Bearing housing	1	
8	<b>269.025</b>	CEI 269025	Entretoise E.0,20 mm	Shim T.0,20 mm	1	
8	<b>269.023</b>	50 10 319 042	Entretoise E.0,25 mm	Shim T.0,25 mm	0	
8	<b>269.024</b>	50 10 319 043	Entretoise E.0,30 mm	Shim T.0,30 mm	0	
8	<b>269.077</b>	50 10 319 044	Entretoise E.0,40 mm	Shim T.0,40 mm	0	
8	<b>269.078</b>	50 10 319 045	Entretoise E.0,50 mm	Shim T.0,50 mm	0	
8	<b>269.079</b>	50 10 319 046	Entretoise E.0,60 mm	Shim T.0,60 mm	0	
8	<b>269.080</b>	50 10 319 047	Entretoise E.0,70 mm	Shim T.0,70 mm	0	
8	<b>269.081</b>	50 10 319 048	Entretoise E.1,00 mm	Shim T.1,00 mm	0	
9	<b>269.020</b>	50 10 241 287	Entretoise E.20,20 mm	Shim T.20,20 mm	0	
9	<b>269.021</b>	50 10 241 288	Entretoise E.20,22 mm	Shim T.20,22 mm	0	
9	<b>269.022</b>	50 10 241 289	Entretoise E.20,24 mm	Shim T.20,24 mm	0	
9	<b>269.026</b>	CEI 269026	Entretoise E.20,26 mm	Shim T.20,26 mm	1	
9	<b>269.027</b>	CEI 269027	Entretoise E.20,28 mm	Shim T.20,28 mm	1	
10	<b>130.709</b>	50 10 319 751	Roulement à rouleaux D.70x165x57	Roller bearing D.70x165x57	1	
11	<b>194.672</b>	56 00 584 418	Couple conique 14x37 R.=1:2,64	Crown & Pinion 14x37 R.=1:2,6	1	100 km/h
11	<b>194.676</b>	56 00 584 417	Couple conique 13x37 R.=1:2,85	Crown & Pinion 13x37 R.=1:2,8	1	93 km/h
11	<b>194.671</b>	56 00 594 926	Couple conique 12x37 R.=1:3,08	Crown & Pinion 12x37 R.=1:3,0	1	86 km/h
11	<b>194.675</b>	56 00 594 925	Couple conique 11x37 R.=1:3,36	Crown & pinion 11x37 R.=1:3,36	1	79 km/h
11	<b>194.670</b>	56 00 594 924	Couple conique 10x37 R.=1:3,70	Crown & pinion 10x37 R.=1:3,70	1	71 km/h
11	<b>194.674</b>	56 00 594 923	Couple conique 9x37 R.=1:4,11	Crown & Pinion 9x37 R.=1:4,11	1	64 km/h
11	<b>194.597</b>	56 00 584 855	Couple conique 8x37 R.=1:4,62	Crown & pinion 8x37 R.=1:4,62	1	57 km/h
11	<b>194.673</b>	56 00 594 921	Couple conique 7x37 R.=1:5,29	Crown & Pinion 7x37 R.=1:5,29	1	50 km/h
12	<b>130.299</b>	50 10 241 406	Roulement D.45x100x36	Roller bearing D.45x100x36	1	
13	<b>269.030</b>	50 10 319 102	Rondelle	Washer	1	
14	<b>111.268</b>	77 03 066 096	Bague d'arret	Snap ring	1	
15	<b>199.254</b>	50 10 241 942	Carter différentiel	Differential Housing	1	
16	<b>187.732</b>	50 10 241 210	Ecrou	Adjusting ring	1	
17	<b>130.712</b>	50 10 534 616	Roulement D.114,3x177,8x41,3	Roller Bearing D.114,3x177,8x41	1	
18	<b>187.731</b>	50 10 319 133	Vis M16X1.5	Screw M16X1.5	16	
19	<b>175.297</b>	50 10 319 613	Demi-carter différentiel	Differential Housing Half	1	
20	<b>169.993</b>	50 10 319 562	Rondelle	Thrust Washer	2	

Notes

Date

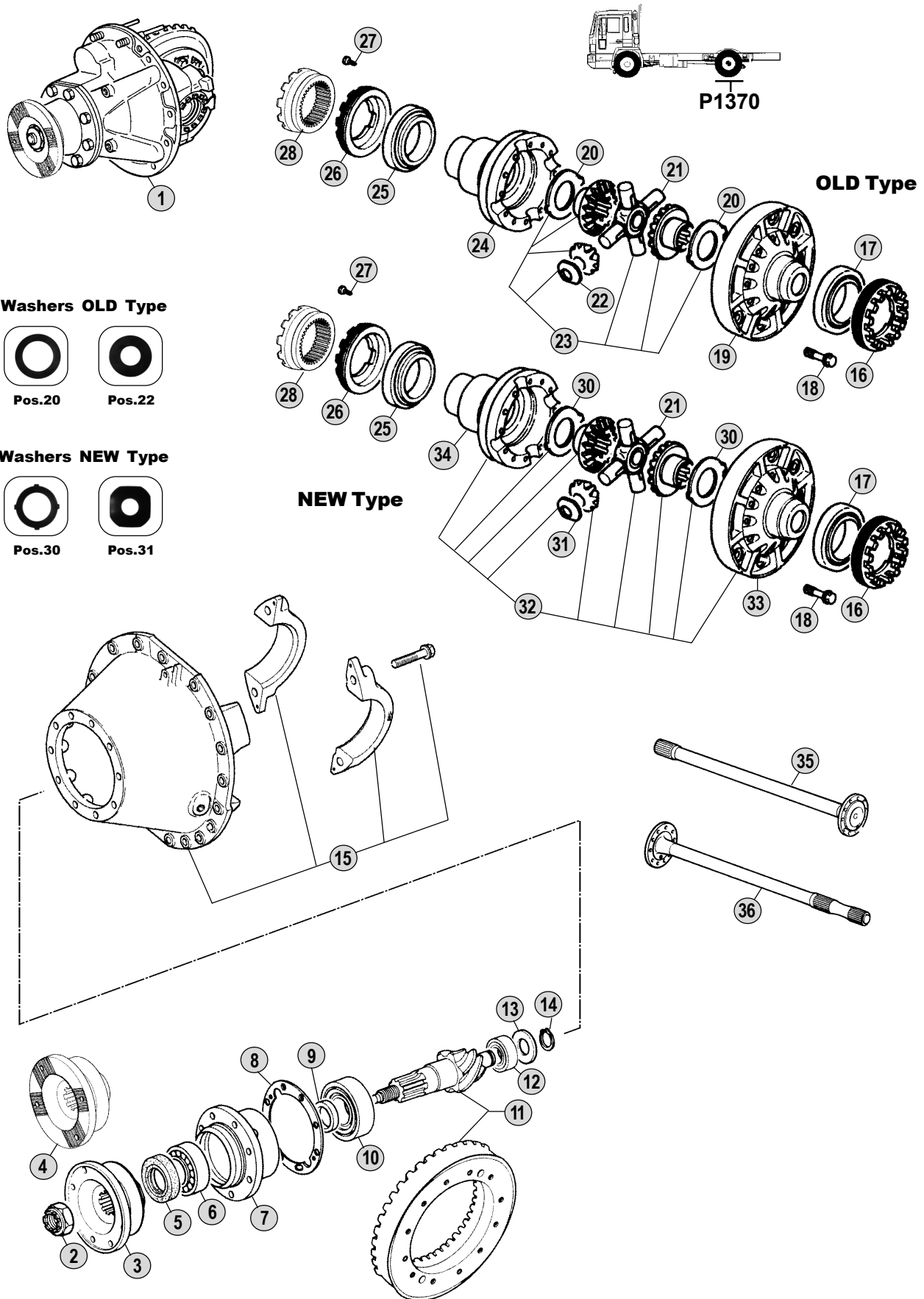
06 / 2008

Table

**0100**

Adattabile a : **RENAULT V.I.**  
 Suitable To :

**P1370**



All original equipment manufacturers' numbers, symbols, pictures, models and description used in this catalogue are for reference only, and it is not implied that any part listed is the product of these manufactures.  
 Tutti i nostri particolari non sono originali ma con essi intercambiabili. I riferimenti originali, le figure, i modelli sono esposti a semplice titolo indicativo. La nostra produzione riporta il nostro marchio.

Models

**PREMIUM - MAGNUM**

FAB 22A (>>2000) / FAB 22E(>>2000) / FAB 22EE (>>2001) / PR-TR (>>1999)

FAC 22CC (>>2000) / MAGNUM E-TECH 400/440/480

AE390/420T/430/470/560

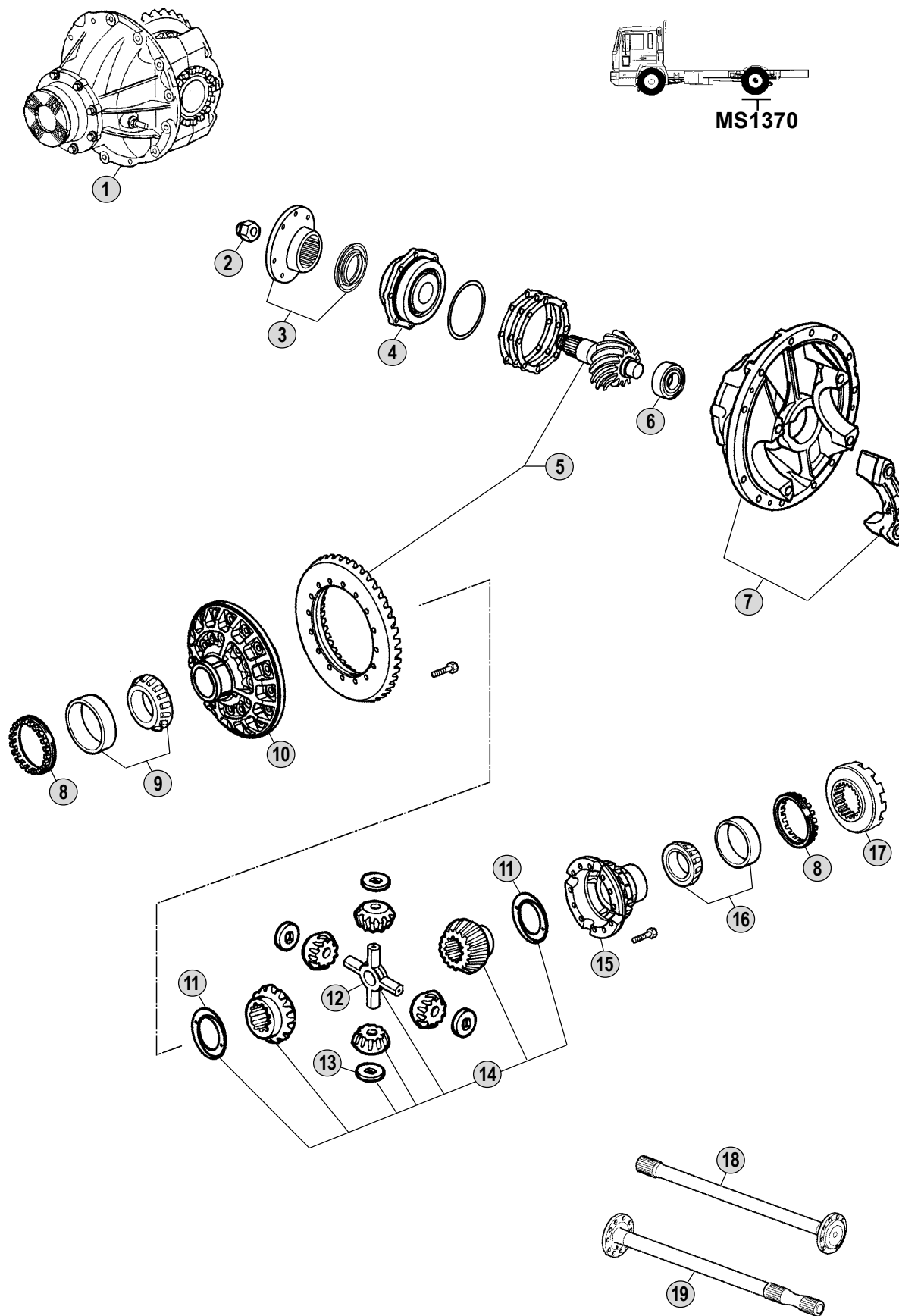






Adattabile a : **RENAULT V.I.**

**MS1370**



All original equipment manufacturers' numbers, symbols, models and description used in this catalogue are for reference only, and it is not implied that any part listed is the product of these manufactures. Tutti i nostri particolari non sono originali ma con essi intercambiabili. I riferimenti originali, le figure, i modelli sono esposti a semplice titolo indicativo. La nostra produzione riporta il nostro marchio.

Models

**PREMIUM - MAGNUM**

PR-TR / DXI 7

FAB 27 / FAB 24

DXI 12 / DXI 13



All original equipment manufacturers numbers, symbols, pictures, models and description used in this catalogue are for reference only, and it is not implied that any part listed is the product of these manufactures.  
Tutti i nostri particolari non sono originali ma con essi intercambiabili. I riferimenti originali, le figure, i modelli sono esposti a semplice titolo indicativo. La nostra produzione riporta il nostro marchio.

Fig.	CEI no.	Rif. RVI	Description	Description	Q.ty	Note
1	280.686	74 20 701 293	Différentiel 14x37 R.=1:2,64	Central Gear 14x37 R.=1:2,64	1	(A) 100 km/h
1	280.687	74 20 701 294	Différentiel 13x37 R.=1:2,85	Central Gear 13x37 R.=1:2,85	1	(B) 84 km/h
1	280.688	74 20 701 295	Différentiel 12x37 R.=1:3,08	Central Gear 12x37 R.=1:3,08	1	(B) 77 km/h
1	280.689	74 20 701 296	Différentiel 11x37 R.=1:3,36	Central Gear 11x37 R.=1:3,36	1	(B) 71 km/h
1	280.690	74 20 701 297	Différentiel 10x37 R.=1:3,70	Central Gear 10x37 R.=1:3,70	1	(C) 64 km/h
1	280.691	74 20 701 298	Différentiel 9x37 R.=1:4,11	Central Gear 9x37 R.=1:4,11	1	(C) 58 km/h
1	280.692	74 20 701 299	Différentiel 8x37 R.=1:4,62	Central gear 8x37 R.=1:4,62	1	(C) 52 km/h
2	287.006	74 20 366 534	Ecrou	Nut	1	
3	197.148	74 20 366 546	Bride de sortie	Output Flange	1	
4	175.327	74 20 366 532	Carter roulement	Bearing housing	1	
5	194.976	74 20 546 068	Couple conique 14x37 R.=1:2,64	Crown & Pinion 14x37 R.=1:2,6	1	(A) 100 km/h
5	194.897	74 85 102 436	Couple conique 13x37 R.=1:2,85	Crown & pinion 13x37 R.=1:2,85	1	(B) 84 km/h
5	<b>194.896</b>	74 20 366 524	Couple conique 12x37 R.=1:3,08	Crown & pinion 12x37 R.=1:3,08	1	(B) 77 km/h
5	194.977	74 85 102 438	Couple conique 11x37 R.=1:3,36	Crown & pinion 11x37 R.=1:3,36	1	(B) 71 km/h
5	194.978	74 85 102 439	Couple conique 10x37 R.=1:3,70	Crown & pinion 10x37 R.=1:3,70	1	(C) 64 km/h
5	194.979	74 85 102 440	Couple conique 9x37 R.=1:4,11	Crown & Pinion 9x37 R.=1:4,11	1	(C) 58 km/h
5	194.980	74 85 102 441	Couple conique 8x37 R.=1:4,62	Crown & pinion 8x37 R.=1:4,62	1	(C) 52 km/h
5	194.981	74 85 102 442	Couple conique 7x37 R.=1:5,29	Crown & Pinion 7x37 R.=1:5,29	1	(C) 45 km/h
6	130.756	74 20 366 533	Roulement à rouleaux	Roller bearing	1	
7	199.268	74 20 366 530	Carter différentiel	Differential Housing	1	
8	287.005	74 08 171 088	Ecrou	Nut	2	
9	130.755	74 20 582 548	Roulement	Bearing	1	
10	175.326	74 20 531 033	Demi-carter différentiel	Differential Housing Half	1	(A)
10	175.325	74 08 171 097	Demi-carter différentiel	Differential Housing Half	1	(B)
10	175.324	74 08 171 098	Demi-carter différentiel	Differential Housing Half	1	(C)
11	269.097	74 08 171 096	Rondelle	Thrust Washer	2	
12	133.168	74 08 171 092	Croisillon	Spider	1	
13	269.098	74 08 171 094	Entretoise	Spacer ring	4	
14	<b>298.077</b>	74 85 100 855	Lot de reparation	Repair kit	1	
15	175.323	74 20 366 531	Demi-carter différ.	Differential Housing Half	1	
16	130.754	74 20 582 549	Roulement	Bearing	1	
17	154.404	74 01 522 099	Blocage différentiel	Central gear lock	1	
18	170.261	74 08 172 096	Demi essieu	Drive shaft	1	
19	170.262	74 08 172 097	Demi essieu	Drive shaft	1	

## Notes

(A-B-C) Respecter obligatoirement l'accouplement entre la boite différentiel et la couple conique.  
Respect the coupling as the assembling wheelbase between the CWP and the differential housing changes.

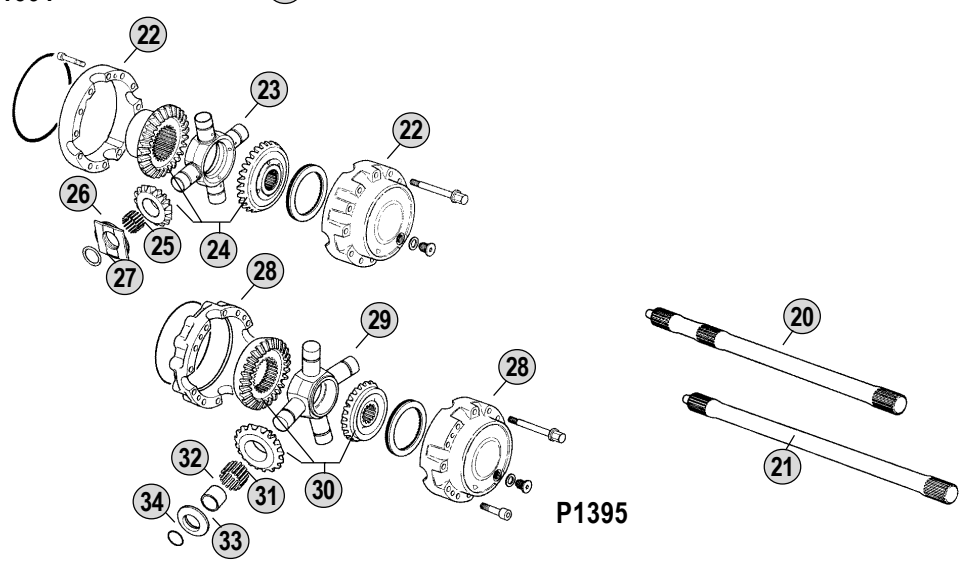
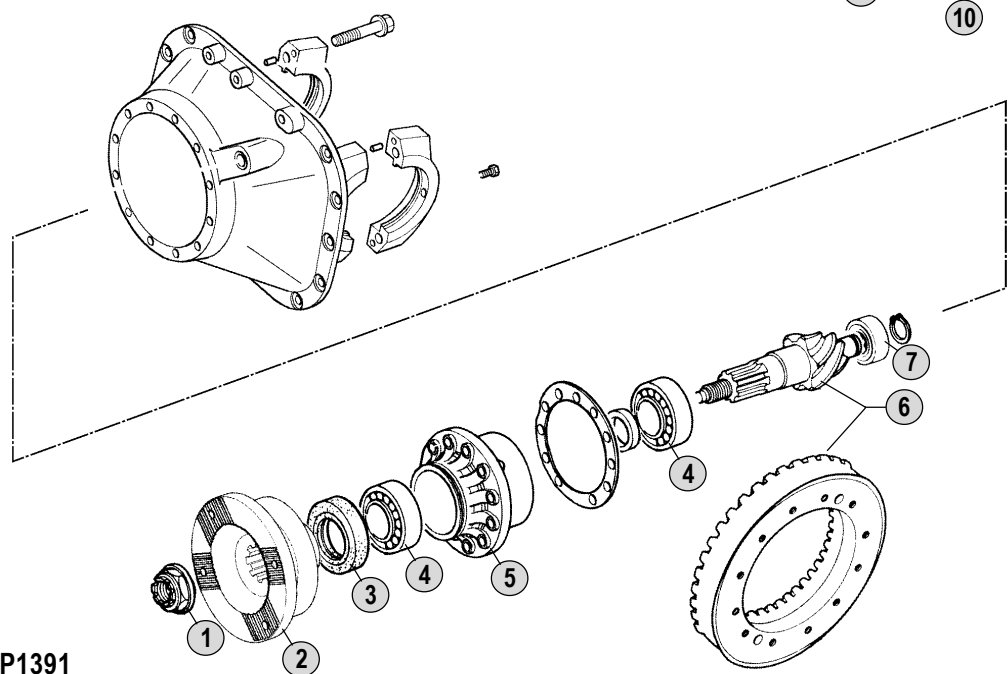
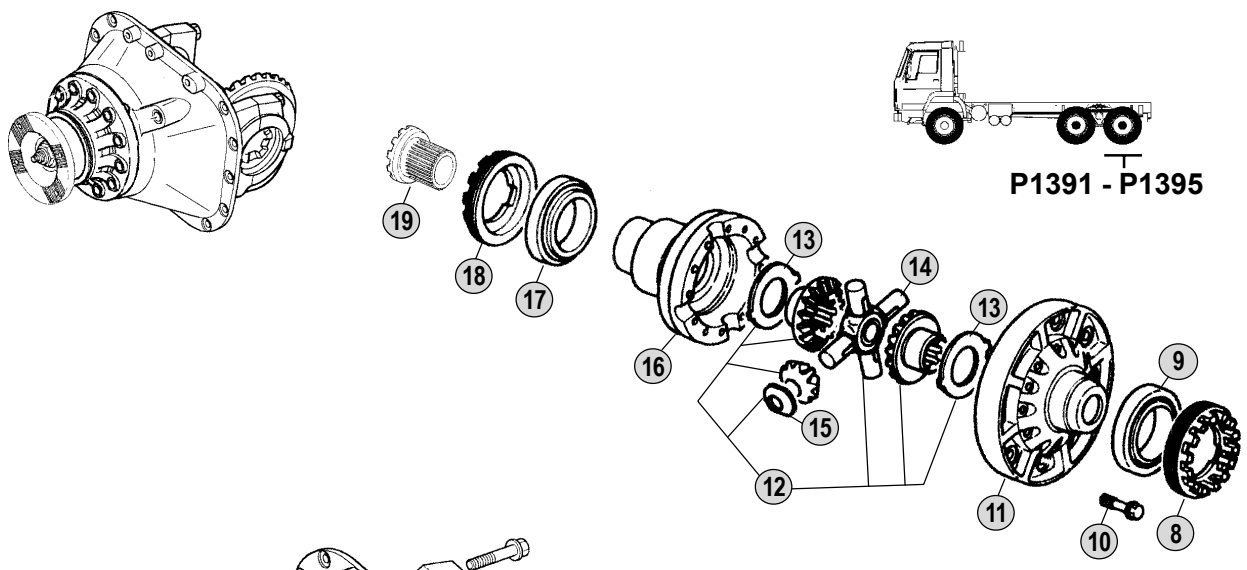
## Date

06 / 2008

## Table

**0110**

Adattabile a : **RENAULT V.I.**  
Suitable To :



All original equipment manufacturers' numbers, symbols and description used in this catalogue are for reference only, and it is not implied that any part listed is the product of these manufacturers. Tutti i nostri particolari non sono originali ma con essi intercambiabili. I riferimenti originali, le figure, i modelli sono esposti a semplice titolo indicativo. La nostra produzione riporta il nostro marchio.

**Models**

- PREMIUM - MAGNUM - KERAX**
- FAB 27JC/TC - FAB 27RC/SC - FAB 29BG - DXI7 - TR/PR (>>2002)
- DXI12 - DXI13 (>>2002)
- FAB 34R/F - DXI11 (>>2002)



Fig.	CEI no.	Rif. RVI	Description	Description	Q.ty	Note
1	287.007	50 10 534 648	Ecrou	Nut	1	
2	197.146	50 10 241 998	Bride de sortie	Output flange	1	(P1391-P1395)
2	197.151	50 10 319 588	Brida de sortie	Output flange	1	(P1391)
3	139.758	50 10 534 863	Bague etancheite	Oil seal	1	
4	130.745	50 00 682 795	Roulem. à rouleaux	Roller bearing	2	
5	175.334	50 10 534 804	Cuvette de roulement	Bearing housing	1	
6	194.999	56 00 664 970	Couple conique 25x37 R.=1:1,48	Crown & pinon 25x37 R.=1:1,48	1	(A) 100 km/h
6	294.001	56 00 664 969	Couple conique 24x37 R.=1:1,54	Crown & pinon 24x37 R.=1:1,54	1	(A) 96 km/h
6	294.002	56 00 664 968	Couple conique 23x37 R.=1:1,60	Crown & pinon 23x37 R.=1:1,60	1	(A) 92 km/h
6	294.003	56 00 664 967	Couple conique 22x37 R.=1:1,68	Crown & pinon 22x37 R.=1:1,68	1	(A) 88 km/h
6	294.004	56 00 664 966	Couple conique 21x37 R.=1:1,76	Crown & pinon 21x37 R.=1:1,76	1	(A) 84 km/h
6	294.005	56 00 664 965	Couple conique 20x37 R.=1:1,85	Crown & pinon 20x37 R.=1:1,85	1	(B) 80 km/h
6	294.006	56 00 664 964	Couple conique 19x37 R.=1:1,95	Crown & pinon 19x37 R.=1:1,95	1	(B) 76 km/h
6	294.007	56 00 664 963	Couple conique 17x35 R.=1:2,06	Crown & pinon 17x35 R.=1:2,06	1	(B) 72 km/h
6	294.008	56 00 664 962	Couple conique 17x37 R.=1:2,18	Crown & pinon 17x37 R.=1:2,18	1	(C) 68 km/h
6	294.009	56 00 664 961	Couple conique 16x37 R.=1:2,31	Crown & pinon 16x37 R.=1:2,31	1	(C) 64 km/h
6	294.010	56 00 664 960	Couple conique 17x41 R.=1:2,41	Crown & pinon 17x41 R.=1:2,41	1	(C) 61 km/h
6	294.011	56 00 664 959	Couple conique 16x41 R.=1:2,56	Crown & pinon 16x41 R.=1:2,56	1	(C) 58 km/h
6	294.012	56 00 664 958	Couple conique 14x38 R.=1:2,71	Crown & pinon 14x38 R.=1:2,71	1	(D) 55 km/h
6	294.013	56 00 664 957	Couple conique 14x41 R.=1:2,93	Crown & pinon 14x41 R.=1:2,93	1	(D) 51 km/h
6	294.014	56 00 664 956	Couple conique 13x41 R.=1:3,15	Crown & pinon 13x41 R.=1:3,15	1	(D) 47 km/h
7	130.759	50 10 534 823	Roulement	Bearing	1	
8	287.008	50 10 534 307	Ecrou	Nut	1	
9	130.762	50 10 534 836	Roulement	Bearing	1	
10	287.009	50 10 534 364	Vis	Screw	1	
11	175.337	50 10 534 355	Demi-carter différentiel	Differential housing half	1	(A)
11	175.336	50 10 534 354	Demi-carter différentiel	Differential housing half	1	(B)
11	175.335	50 10 534 353	Demi-carter différentiel	Differential housing half	1	(C)
11	175.338	50 10 534 352	Demi-carter différentiel	Differential housing half	1	(D)
12	298.079	50 01 865 510	Lot de reparation diff.	Repair Kit	1	
13	269.018	50 00 671 226	Rondelle	Washer	1	
14	133.163	50 10 534 983	Croisillon	Differential spider	1	
15	269.017	50 10 534 114	Rondelle	Washer	4	
16	175.339	50 10 534 357	Demi-carter différentiel	Differential Housing Half	1	(AB)
16	175.306	50 10 534 113	Demi-carter différentiel	Differential Housing Half	1	(CD)
17	130.760	50 10 241 096	Roulement	Bearing	1	
18	287.010	50 10 534 384	Ecrou	Nut	1	
19	154.401	50 00 671 457	Blocage différentiel	Central gear lock	1	
20	170.268	50 10 534 872	Demi-essieu	Drive shaft	1	(P1391)
20	170.271	50 10 534 362	Demi-essieu	Drive shaft	1	(P1395)
21	170.242	50 10 534 086	Demi-essieu	Drive shaft	1	(P1391)
21	170.272	50 10 534 360	Demi-essieu	Drive shaft	1	(P1395)
22	175.314	50 00 664 413	Demi-boite réducteur roue	Wheel reduction gear half housin	1	(P1391)
23	133.166	50 10 534 987	Croisillon	Spider	1	(P1391)
24	298.109	50 00 849 420	Kit réducteur roue	Wheel reduction gear kit	1	(P1391)

## Notes

(A-B-C-D) Respecter obligatoirement l'accouplement entre la boîte différentiel et la couple conique.  
Respect the coupling as the assembling wheelbase between the CWP and the differential housing changes.

## Date

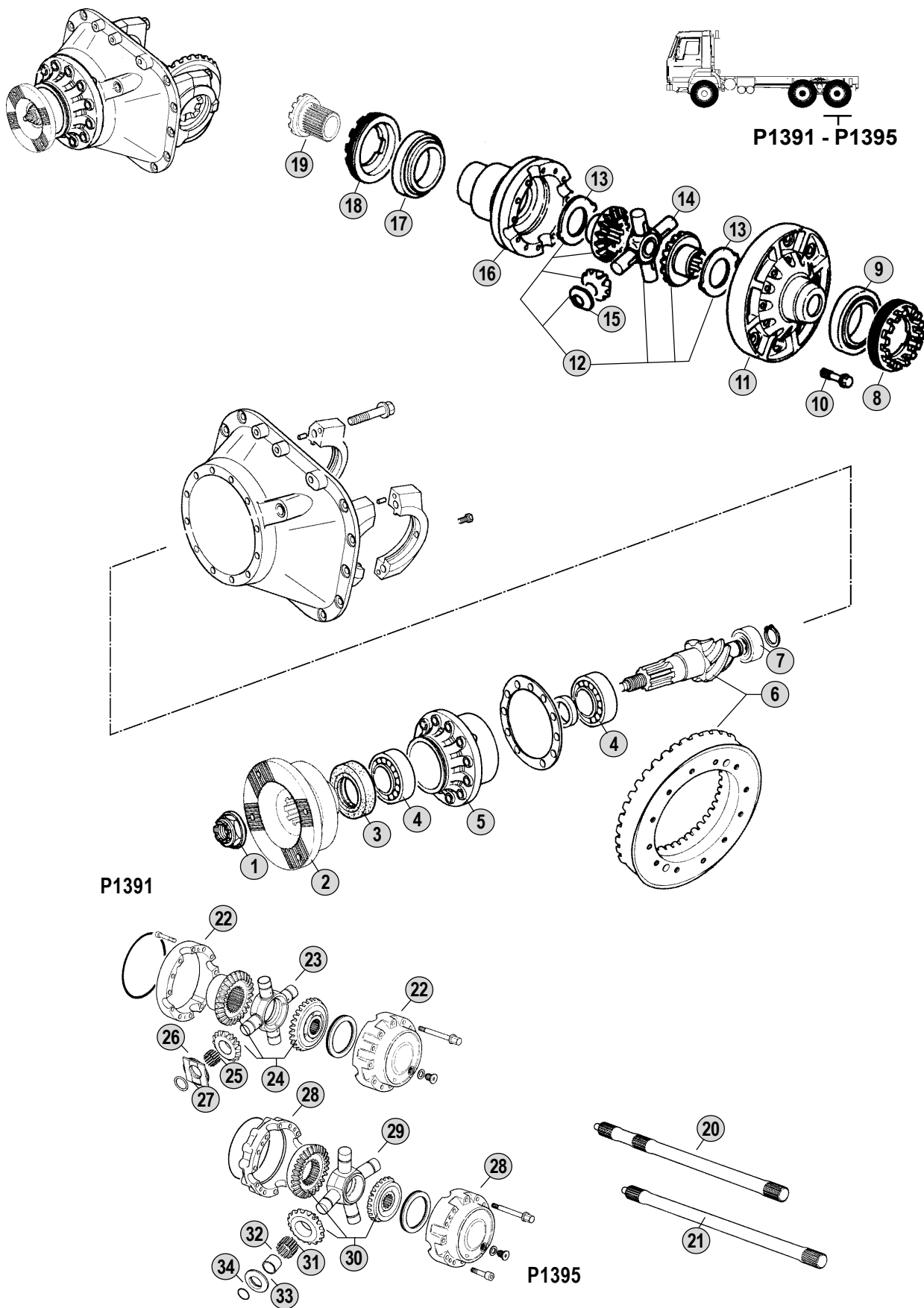
06 / 2008

## Table

0115

Adattabile a : **RENAULT V.I.**  
Suitable To :

Pont Arriere / Rear Axle  
**P1391-P1395**



All original equipment manufacturers' numbers, symbols and description used in this catalogue are for reference only, and it is not implied that any part listed is the product of these manufacturers. Tutti i nostri particolari non sono originali ma con essi intercambiabili. I riferimenti originali, le figure, i modelli sono esposti a semplice titolo indicativo. La nostra produzione riporta il nostro marchio.

**Models**

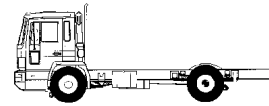
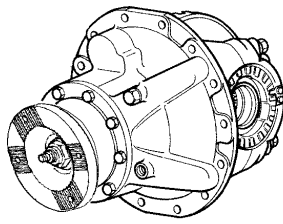
- PREMIUM - MAGNUM - KERAX**
- FAB 27JC/TC - FAB 27RC/SC - FAB 29BG - DXI7 - TR/PR (>>2002)
- DXI12 - DXI13 (>>2002)
- FAB 34R/F - DXI11 (>>2002)



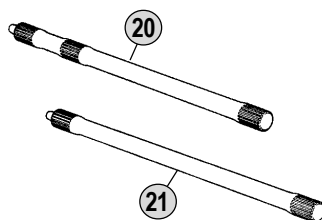
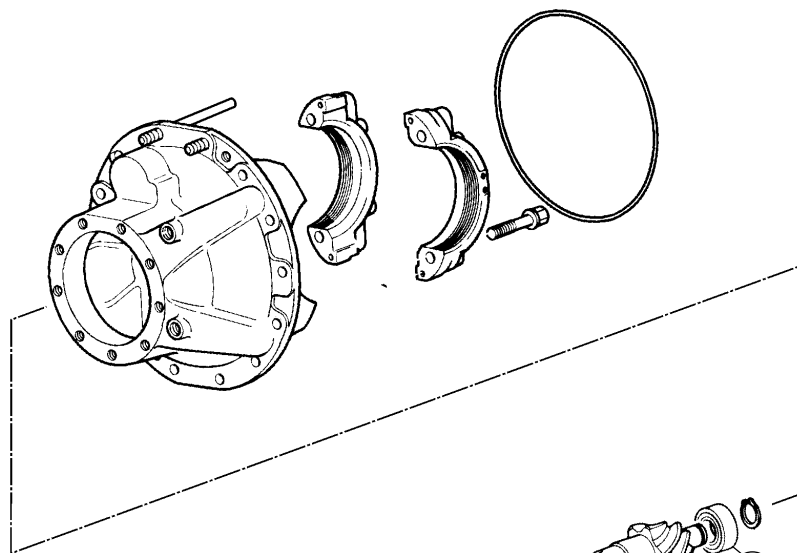
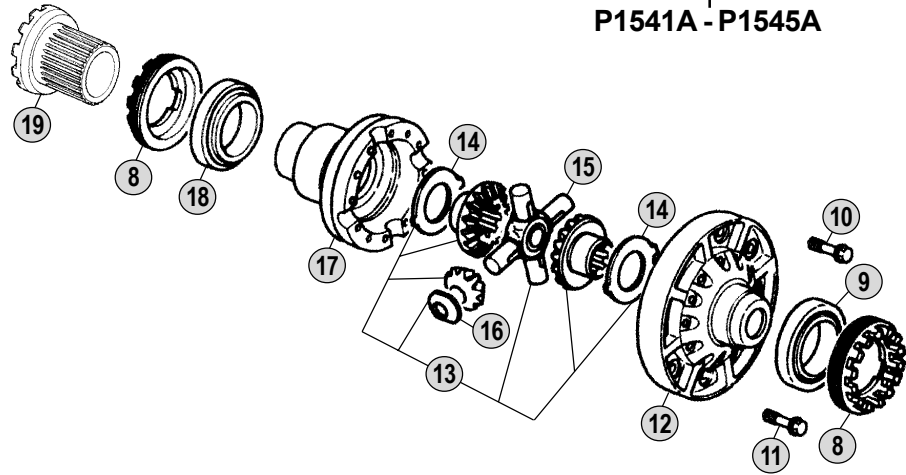


Adattabile a : **RENAULT V.I.**  
 Suitable To :

Pont Arriere / Rear Axle  
**P1541A - P1545A**



P1541A - P1545A



All original equipment manufacturers' numbers, symbols, and description used in this catalogue are for reference only, and it is not implied that any part listed is the product of these manufactures.  
 Tutti i nostri particolari non sono originali ma con essi intercambiabili. I riferimenti originali, le figure, i modelli sono esposti a semplice titolo indicativo. La nostra produzione riporta il nostro marchio.

**Models**

**PREMIUM - MAGNUM**

FAB 22A (>>2000) / FAB 22E(>>2000) / FAB 22EE (>>2001) / PR-TR (>>1999)

FAC 22CC (>>2000) / MAGNUM E-TECH 400/440/480

AE390/420T/430/470/560



Fig.	CEI no.	Rif. RVI	Description	Description	Q.ty	Note
1	287.004	50 00 664 043	Ecrou	Nut	1	
2	197.146	50 10 241 998	Bride de sortie	Output flange	1	
3	<b>139.758</b>	50 10 534 863	Bague etancheite	Oil seal	1	
4	130.745	50 00 682 795	Roulem. à rouleaux	Roller bearing	2	
5	175.317	50 00 675 546	Cuvette de roulement	Bearing housing	1	
6	<b>194.667</b>	56 00 584 421	Couple conique 21x37 R.=1:1,76	Crown & pinion 21x37 R.=1:1,76	1	(A) 100 km/h
6	<b>194.915</b>	56 00 594 920	Couple conique 20x37 R.=1:1,85	Crown & pinion 20x37 R.=1:1,85	1	(A) 95 km/h
6	<b>194.908</b>	56 00 594 919	Couple conique 19x37 R.=1:1,95	Crown & pinion 19x37 R.=1:1,95	1	(A) 90 km/h
6	<b>194.905</b>	56 00 594 918	Couple conique 17x35 R.=1:2,06	Crown & pinion 17x35 R.=1:2,06	1	(A) 86 km/h
6	<b>194.907</b>	56 00 594 917	Couple conique 17x37 R.=1:2,18	Crown & pinion 17x37 R.=1:2,18	1	(A) 81 km/h
6	<b>194.906</b>	56 00 594 916	Couple conique 16x37 R.=1:2,31	Crown & pinion 16x37 R.=1:2,31	1	(B) 76 km/h
6	<b>194.911</b>	56 00 594 915	Couple conique 17x41 R.=1:2,41	Crown & pinion 17x41 R.=1:2,41	1	(B) 73 km/h
6	<b>194.840</b>	56 00 594 914	Couple conique 16x41 R.=1:2,56	Crown & pinion 16x41 R.=1:2,56	1	(B) 69 km/h
6	<b>194.917</b>	56 00 594 913	Couple conique 14x38 R.=1:2,71	Crown & pinion 14x38 R.=1:2,71	1	(C) 65 km/h
6	<b>194.909</b>	56 00 594 912	Couple conique 14x41 R.=1:2,93	Crown & pinion 14x41 R.=1:2,93	1	(C) 60 km/h
6	194.916	56 00 594 911	Couple conique 13x41 R.=1:3,15	Crown & pinion 13x41 R.=1:3,15	1	(C) 56 km/h
6	194.910	56 00 594 910	Couple conique 11x38 R.=1:3,45	Crown & pinion 11x38 R.=1:3,45	1	(C) 51 km/h
6	194.974	56 00 594 908	Couple conique 10x41 R.=1:4,10	Crown & pinion 10x41 R.=1:4,10	1	(C) 43 km/h
6	194.972	56 00 594 907	Couple conique 9x41 R.=1:4,55	Crown & pinion 9x41 R.=1:4,55	1	(C) 39 km/h
6	194.973	56 00 594 906	Couple conique 8x41 R.=1:5,12	Crown & pinion 8x41 R.=1:5,12	1	(C) 34 km/h
7	130.739	50 00 785 250	Roulem à billes	Roller bearing	1	
8	187.745	50 00 664 855	Ecrou	Nut	2	
9	130.740	50 10 241 094	Roulem à billes	Roller bearing	1	
10	187.746	50 00 682 326	Vis	Screw	12	
11	187.727	50 00 671 332	Vis	Screw	16	
12	<b>175.295</b>	50 10 534 112	Demi-carter différentiel	Differential Housing Half	1	(A)
12	<b>175.307</b>	50 10 534 111	Demi-carter différentiel	Differential Housing Half	1	(B)
12	175.305	50 10 534 110	Demi-carter différentiel	Differential Housing Half	1	(C)
13	<b>298.037</b>	50 00 794 101	Lot de reparation	Repair kit	1	Z16+Z11
14	269.018	50 00 671 226	Rondelle	Washer	2	
15	133.163	50 10 534 983	Croisillon	Differential spider	1	
16	<b>269.017</b>	50 10 534 114	Rondelle	Washer	4	
17	<b>175.306</b>	50 10 534 113	Demi-carter différentiel	Differential Housing Half	1	
18	130.741	50 10 534 822	Roulement	Bearing	1	
19	154.401	50 00 671 457	Blocage différentiel	Central gear lock	1	
20	170.239	50 00 682 748	Demi-essieu	Drive shaft	1	(P1541)
20	170.240	50 10 534 092	Demi-essieu	Drive shaft	1	(P1541)
20	170.233	50 00 675 802	Demi-essieu	Drive shaft	1	(P1545)
20	170.241	50 10 534 422	Demi-essieu	Drive shaft	1	(P1545)
21	170.223	50 00 675 990	Demi-essieu	Drive shaft	1	(P1541)
21	170.242	50 10 534 086	Demi-essieu	Drive shaft	1	(P1541)
21	170.243	50 00 675 838	Demi-essieu	Drive shaft	1	(P1545)
21	170.245	50 10 534 421	Demi-essieu	Drive shaft	1	(P1545)

## Notes

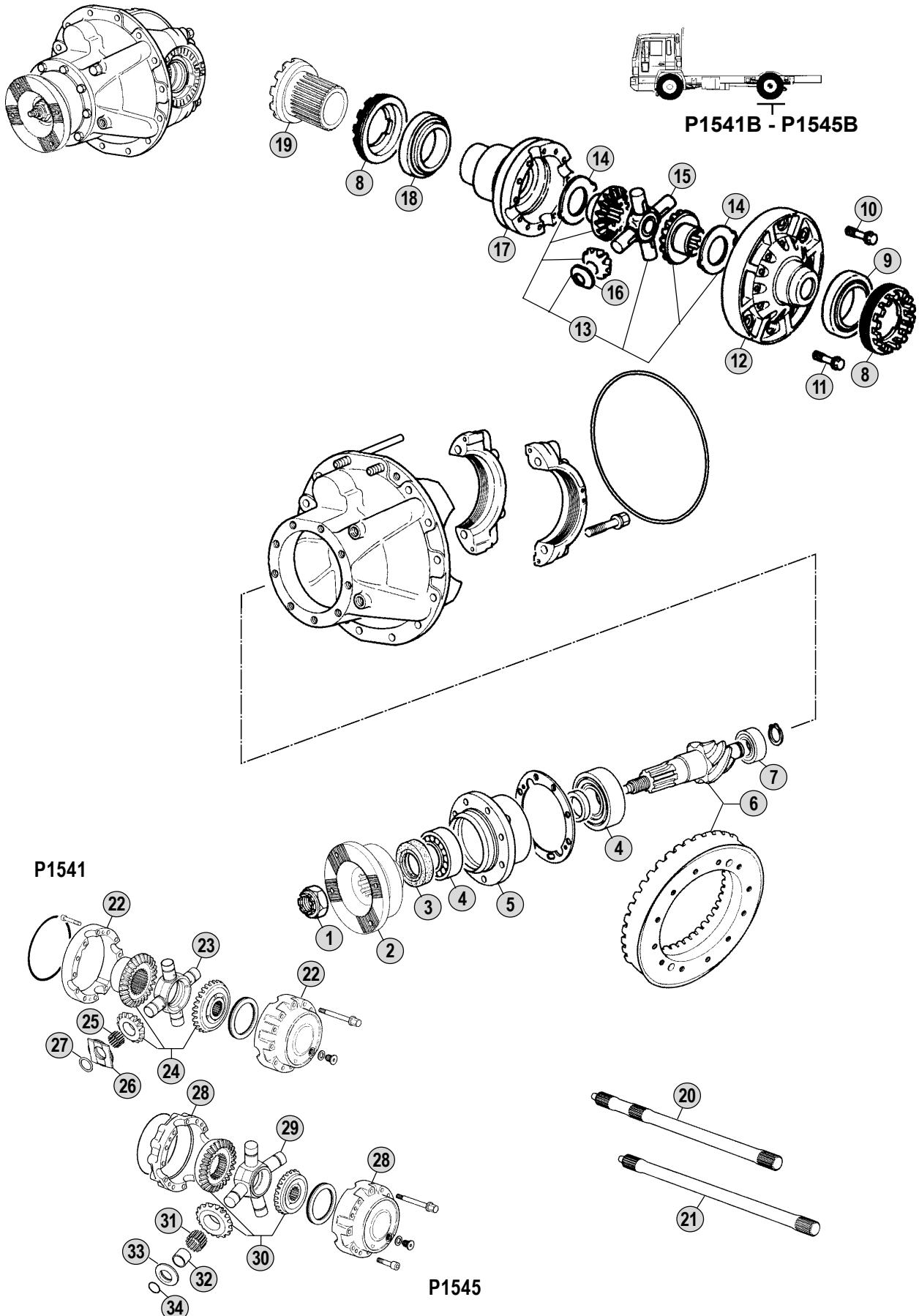
(A-B-C) Respecter obligatoirement l'accouplement entre la boite différentiel et la couple conique.  
Respect the coupling as the assembling wheelbase between the CWP and the differential housing changes.

## Date

06 / 2008

## Table

0120

Adattabile a : **RENAULT V.I.****P1541B - P1545B**

All original equipment manufacturers' numbers, symbols, pictures, models and description used in this catalogue are for reference only, and it is not implied that any part listed is the product of these manufacturers. Tutti i nostri particolari non sono originali ma con essi intercambiabili. I riferimenti originali, le figure, i modelli sono esposti a semplice titolo indicativo. La nostra produzione riporta il nostro marchio.

**Models****PREMIUM - MAGNUM - KERAX**

FAB 22A (&gt;&gt;2000) / FAB 22E(&gt;&gt;2000) / FAB 22EE (&gt;&gt;2001) / PR-TR (&gt;&gt;1999)

FAB 33AA (&gt;&gt;2001) / FAB 33A (2000 &gt;&gt;2002) / FAB 33A (&gt;&gt;2003)

AE390/420TI/430/470/560

Fig.	CEI no.	Rif. RVI	Description	Description	Q.ty	Note
1	287.004	50 00 664 043	Ecrou	Nut	1	
2	197.146	50 10 241 998	Bride de sortie	Output flange	1	
3	<b>139.758</b>	50 10 534 863	Bague etancheite	Oil seal	1	
4	130.745	50 00 682 795	Roulem. à rouleaux	Roller bearing	2	
5	175.317	50 00 675 546	Cuvette de roulement	Bearing housing	1	
6	<b>194.667</b>	56 00 584 421	Couple conique 21x37 R.=1:1,76	Crown & pinion 21x37 R.=1:1,76	1	(A) 100 km/h
6	<b>194.915</b>	56 00 594 920	Couple conique 20x37 R.=1:1,85	Crown & pinion 20x37 R.=1:1,85	1	(A) 95 km/h
6	<b>194.908</b>	56 00 594 919	Couple conique 19x37 R.=1:1,95	Crown & pinion 19x37 R.=1:1,95	1	(A) 90 km/h
6	<b>194.905</b>	56 00 594 918	Couple conique 17x35 R.=1:2,06	Crown & pinion 17x35 R.=1:2,06	1	(A) 86 km/h
6	<b>194.907</b>	56 00 594 917	Couple conique 17x37 R.=1:2,18	Crown & pinion 17x37 R.=1:2,18	1	(A) 81 km/h
6	<b>194.906</b>	56 00 594 916	Couple conique 16x37 R.=1:2,31	Crown & pinion 16x37 R.=1:2,31	1	(B) 76 km/h
6	<b>194.911</b>	56 00 594 915	Couple conique 17x41 R.=1:2,41	Crown & pinion 17x41 R.=1:2,41	1	(B) 73 km/h
6	<b>194.840</b>	56 00 594 914	Couple conique 16x41 R.=1:2,56	Crown & pinion 16x41 R.=1:2,56	1	(B) 69 km/h
6	<b>194.917</b>	56 00 594 913	Couple conique 14x38 R.=1:2,71	Crown & pinion 14x38 R.=1:2,71	1	(C) 65 km/h
6	<b>194.909</b>	56 00 594 912	Couple conique 14x41 R.=1:2,93	Crown & pinion 14x41 R.=1:2,93	1	(C) 60 km/h
6	194.916	56 00 594 911	Couple conique 13x41 R.=1:3,15	Crown & pinion 13x41 R.=1:3,15	1	(C) 56 km/h
6	194.910	56 00 594 910	Couple conique 11x38 R.=1:3,45	Crown & pinion 11x38 R.=1:3,45	1	(C) 51 km/h
6	194.974	56 00 594 908	Couple conique 10x41 R.=1:4,10	Crown & pinion 10x41 R.=1:4,10	1	(C) 43 km/h
6	194.972	56 00 594 907	Couple conique 9x41 R.=1:4,55	Crown & pinion 9x41 R.=1:4,55	1	(C) 39 km/h
6	194.973	56 00 594 906	Couple conique 8x41 R.=1:5,12	Crown & pinion 8x41 R.=1:5,12	1	(C) 34 km/h
7	130.739	50 00 785 250	Roulem à billes	Roller bearing	1	
8	187.745	50 00 664 855	Ecrou	Nut	2	
9	130.740	50 10 241 094	Roulem à billes	Roller bearing	1	
10	187.746	50 00 682 326	Vis	Screw	12	
11	187.727	50 00 671 332	Vis	Screw	16	
12	<b>175.295</b>	50 10 534 112	Demi-carter différentiel	Differential Housing Half	1	(A)
12	<b>175.307</b>	50 10 534 111	Demi-carter différentiel	Differential Housing Half	1	(B)
12	175.305	50 10 534 110	Demi-carter différentiel	Differential Housing Half	1	(C)
13	<b>298.044</b>	50 01 857 599	Lot de reparation Diff.	Repair kit	1	Z14+Z9
14	269.018	50 00 671 226	Rondelle	Washer	2	
15	133.163	50 10 534 983	Croisillon	Differential spider	1	
16	<b>269.017</b>	50 10 534 114	Rondelle	Washer	4	
17	<b>175.306</b>	50 10 534 113	Demi-carter différentiel	Differential Housing Half	1	
18	130.741	50 10 534 822	Roulement	Bearing	1	
19	154.401	50 00 671 457	Blocage différentiel	Central gear lock	1	
20	170.239	50 00 682 748	Demi-essieu	Drive shaft	1	(P1541)
20	170.240	50 10 534 092	Demi-essieu	Drive shaft	1	(P1541)
20	170.233	50 00 675 802	Demi-essieu	Drive shaft	1	(P1545)
20	170.241	50 10 534 422	Demi-essieu	Drive shaft	1	(P1545)
21	170.223	50 00 675 990	Demi-essieu	Drive shaft	1	(P1541)
21	170.242	50 10 534 086	Demi-essieu	Drive shaft	1	(P1541)
21	170.243	50 00 675 838	Demi-essieu	Drive shaft	1	(P1545)
21	170.245	50 10 534 421	Demi-essieu	Drive shaft	1	(P1545)
22	175.315	50 00 675 811	Demi-boite réducteur roue	Wheel reduction gear half housin	1	(P1541)
23	133.166	50 10 534 987	Croisillon	Spider	1	(P1541)

**Notes**

(A-B-C) Respecter obligatoirement l'accouplement entre la boite différentiel et la couple conique.  
Respect the coupling as the assembling wheelbase between the CWP and the differential housing changes.

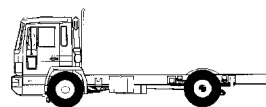
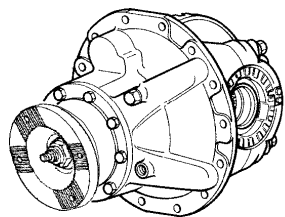
**Date**

06 / 2008

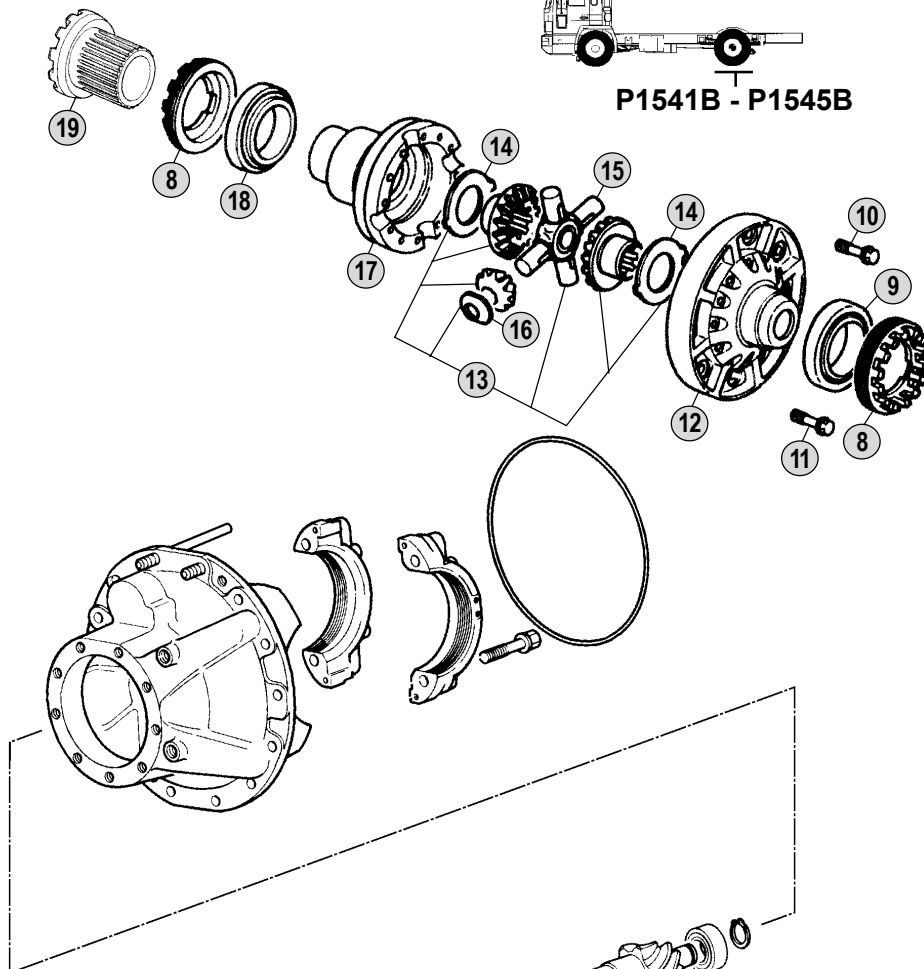
**Table****0130**

Adattabile a : **RENAULT V.I.**

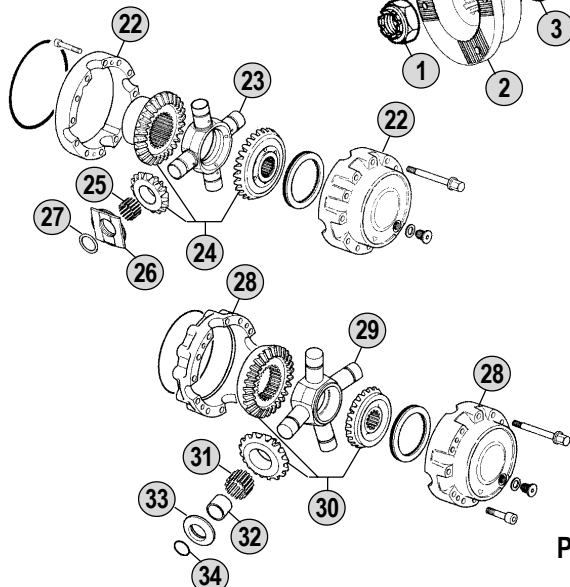
**P1541B - P1545B**



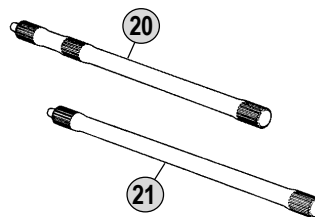
P1541B - P1545B



P1541



P1545



All original equipment manufacturers numbers, symbols, pictures, models and description used in this catalogue are for reference only, and it is not implied that any part listed is the product of these manufactures. Tutti i nostri particolari non sono originali ma con essi intercambiabili. I riferimenti originali, le figure, i modelli sono esposti a semplice titolo indicativo. La nostra produzione riporta il nostro marchio.

Models

**PREMIUM - MAGNUM - KERAX**

FAB 22A (>>2000) / FAB 22E(>>2000) / FAB 22EE (>>2001) / PR-TR (>>1999)

FAB 33AA (>>2001) / FAB 33A (2000 >>2002) / FAB 33A (>>2003)

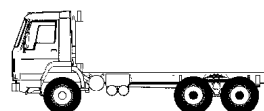
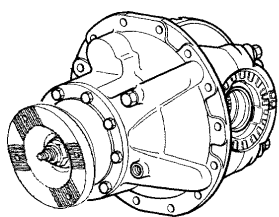
AE390/420TI/430/470/560



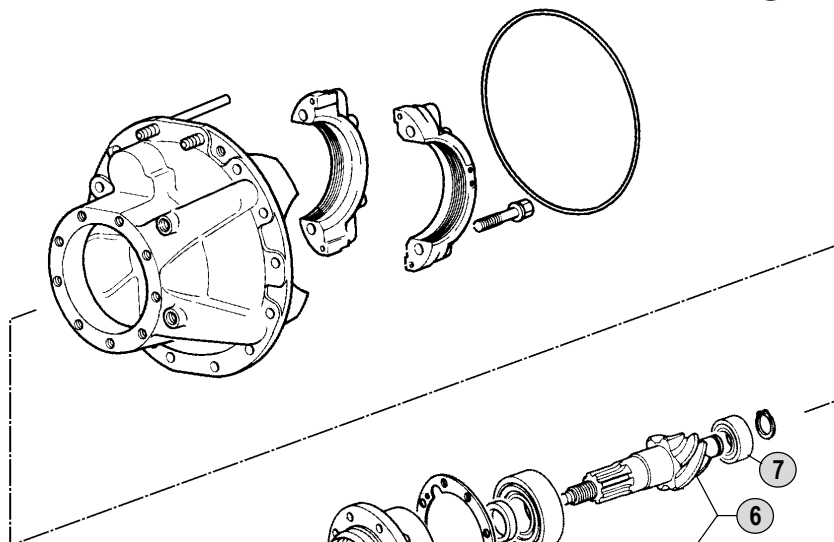
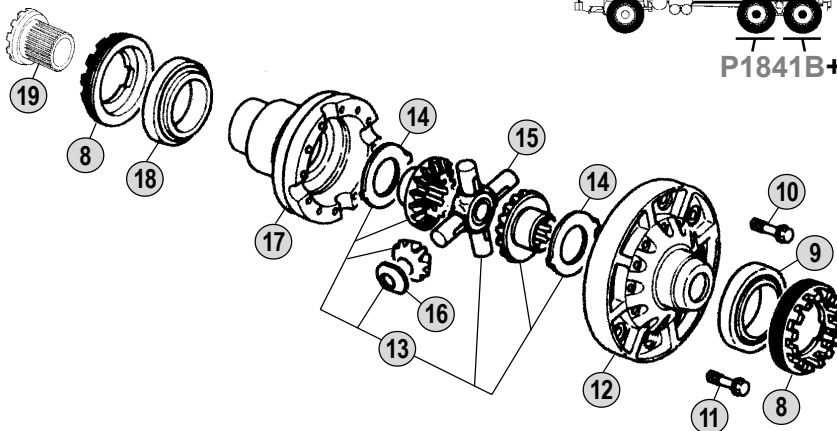


Adattabile a : **RENAULT V.I.**

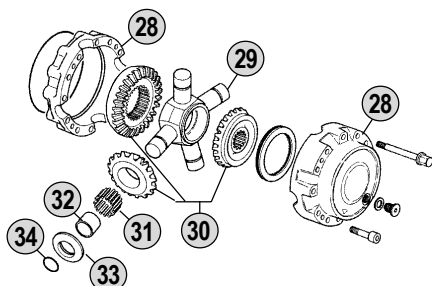
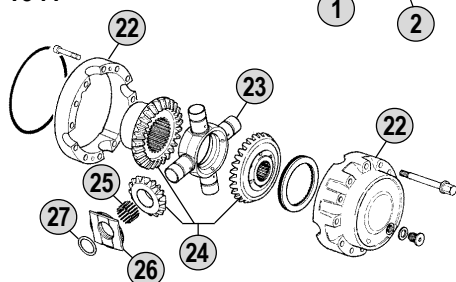
**P1841B - P1845B**



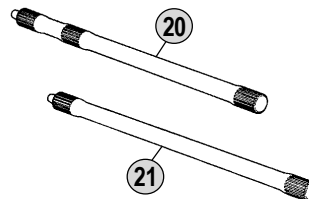
P1841B+ P1841B



P1841



P1845



Models

**PREMIUM - KERAX**

FAB 22EE (>>2001)

FAB 33AA (>>2001) / FAB 33A (2000 >>2002) / FAB 33A (>>2003)

All original equipment manufacturers' numbers, symbols, models and description used in this catalogue are for reference only, and it is not implied that any part listed is the product of these manufactures. Tutti i nostri particolari non sono originali ma con essi intercambiabili. I riferimenti originali, le figure, i modelli sono esposti a semplice titolo indicativo. La nostra produzione riporta il nostro marchio.



Fig.	CEI no.	Rif. RVI	Description	Description	Q.ty	Note
1	287.004	50 00 664 043	Ecrou	Nut	1	
2	197.146	50 10 241 998	Bride de sortie	Output flange	1	
3	<b>139.758</b>	50 10 534 863	Bague etancheite	Oil seal	1	
4	130.745	50 00 682 795	Roulem. à rouleaux	Roller bearing	2	
5	175.317	50 00 675 546	Cuvette de roulement	Bearing housing	1	
6	<b>194.667</b>	56 00 584 421	Couple conique 21x37 R.=1:1,76	Crown & pinion 21x37 R.=1:1,76	1	(A) 100 km/h
6	<b>194.915</b>	56 00 594 920	Couple conique 20x37 R.=1:1,85	Crown & pinion 20x37 R.=1:1,85	1	(A) 95 km/h
6	<b>194.908</b>	56 00 594 919	Couple conique 19x37 R.=1:1,95	Crown & pinion 19x37 R.=1:1,95	1	(A) 90 km/h
6	<b>194.905</b>	56 00 594 918	Couple conique 17x35 R.=1:2,06	Crown & pinion 17x35 R.=1:2,06	1	(A) 86 km/h
6	<b>194.907</b>	56 00 594 917	Couple conique 17x37 R.=1:2,18	Crown & pinion 17x37 R.=1:2,18	1	(A) 81 km/h
6	<b>194.906</b>	56 00 594 916	Couple conique 16x37 R.=1:2,31	Crown & pinion 16x37 R.=1:2,31	1	(B) 76 km/h
6	<b>194.911</b>	56 00 594 915	Couple conique 17x41 R.=1:2,41	Crown & pinion 17x41 R.=1:2,41	1	(B) 73 km/h
6	<b>194.840</b>	56 00 594 914	Couple conique 16x41 R.=1:2,56	Crown & pinion 16x41 R.=1:2,56	1	(B) 69 km/h
6	<b>194.917</b>	56 00 594 913	Couple conique 14x38 R.=1:2,71	Crown & pinion 14x38 R.=1:2,71	1	(C) 65 km/h
6	<b>194.909</b>	56 00 594 912	Couple conique 14x41 R.=1:2,93	Crown & pinion 14x41 R.=1:2,93	1	(C) 60 km/h
6	194.916	56 00 594 911	Couple conique 13x41 R.=1:3,15	Crown & pinion 13x41 R.=1:3,15	1	(C) 56 km/h
6	194.910	56 00 594 910	Couple conique 11x38 R.=1:3,45	Crown & pinion 11x38 R.=1:3,45	1	(C) 51 km/h
6	194.974	56 00 594 908	Couple conique 10x41 R.=1:4,10	Crown & pinion 10x41 R.=1:4,10	1	(C) 43 km/h
6	194.972	56 00 594 907	Couple conique 9x41 R.=1:4,55	Crown & pinion 9x41 R.=1:4,55	1	(C) 39 km/h
6	194.973	56 00 594 906	Couple conique 8x41 R.=1:5,12	Crown & pinion 8x41 R.=1:5,12	1	(C) 34 km/h
7	130.739	50 00 785 250	Roulem à billes	Roller bearing	1	
8	187.745	50 00 664 855	Ecrou	Nut	2	
9	130.740	50 10 241 094	Roulem à billes	Roller bearing	1	
10	187.746	50 00 682 326	Vis	Screw	12	
11	187.727	50 00 671 332	Vis	Screw	16	
12	<b>175.295</b>	50 10 534 112	Demi-carter différentiel	Differential Housing Half	1	(A)
12	<b>175.307</b>	50 10 534 111	Demi-carter différentiel	Differential Housing Half	1	(B)
12	175.305	50 10 534 110	Demi-carter différentiel	Differential Housing Half	1	(C)
13	<b>298.037</b>	50 00 794 101	Lot de reparation	Repair kit	1	Z16+Z11
14	269.018	50 00 671 226	Rondelle	Washer	2	
15	133.163	50 10 534 983	Croisillon	Differential spider	1	
16	<b>269.017</b>	50 10 534 114	Rondelle	Washer	4	
17	<b>175.306</b>	50 10 534 113	Demi-carter différentiel	Differential Housing Half	1	
18	130.741	50 10 534 822	Roulement	Bearing	1	
19	154.401	50 00 671 457	Blocage différentiel	Central gear lock	1	
20	170.239	50 00 682 748	Demi-essieu	Drive shaft	1	(P1841)
20	170.263	50 00 682 747	Demi-essieu	Drive shaft	1	(P1841)
20	170.233	50 00 675 802	Demi-essieu	Drive shaft	1	(P1845)
20	170.264	50 00 675 799	Demi-essieu	Drive shaft	1	(P1845)
21	170.223	50 00 675 990	Demi-essieu	Drive shaft	1	(P1841)
21	170.243	50 00 675 838	Demi-essieu	Drive shaft	1	(P1845)
22	175.315	50 00 675 811	Demi-boite réducteur roue	Wheel reduction gear half housin	1	(P1841)
23	133.166	50 10 534 987	Croisillon	Spider	1	(P1841)
24	298.109	50 00 849 420	Kit réducteur roue	Wheel reduction gear kit	1	(P1841)
25	171.066	50 00 787 718	Aiguille de roulement	Needle	0	(P1841)

## Notes

(A-B-C) Respecter obligatoirement l'accouplement entre la boîte différentiel et la couple conique.  
Respect the coupling as the assembling wheelbase between the CWP and the differential housing changes.

## Date

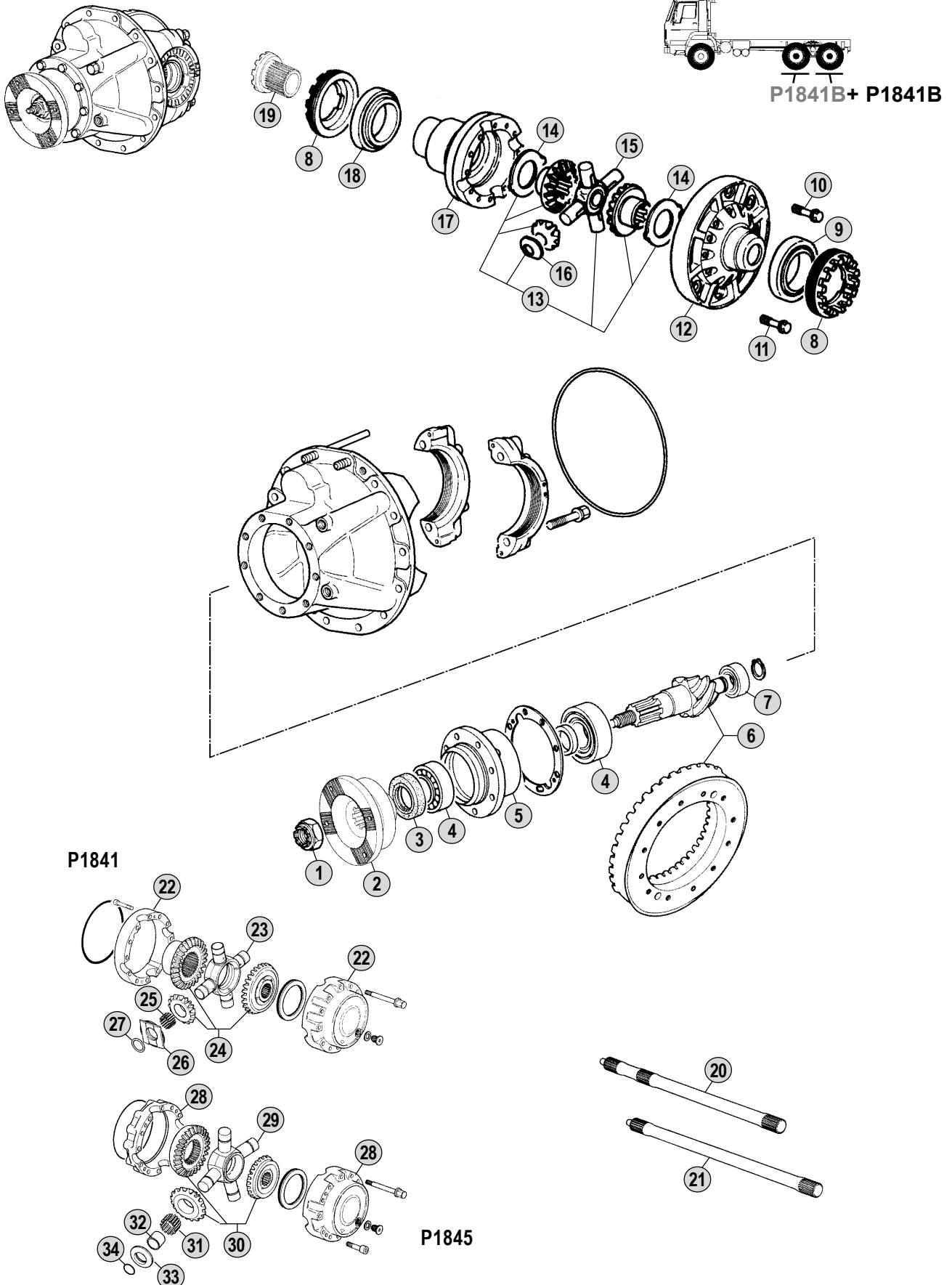
06 / 2008

## Table

**0140**

Adattabile a : **RENAULT V.I.**

**P1841B - P1845B**



All original equipment manufacturers' numbers, symbols, models and description used in this catalogue are for reference only, and it is not implied that any part listed is the product of these manufactures. Tutti i nostri particolari non sono originali ma con essi intercambiabili. I riferimenti originali, le figure, i modelli sono esposti a semplice titolo indicativo. La nostra produzione riporta il nostro marchio.

**Models**

**PREMIUM - KERAX**

FAB 22EE (>>2001)

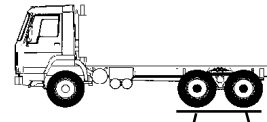
FAB 33AA (>>2001) / FAB 33A (2000 >>2002) / FAB 33A (>>2003)



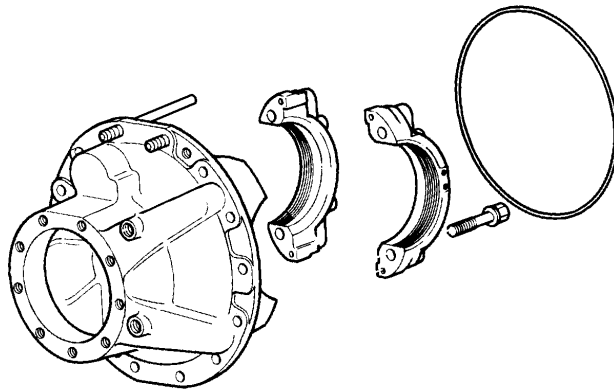
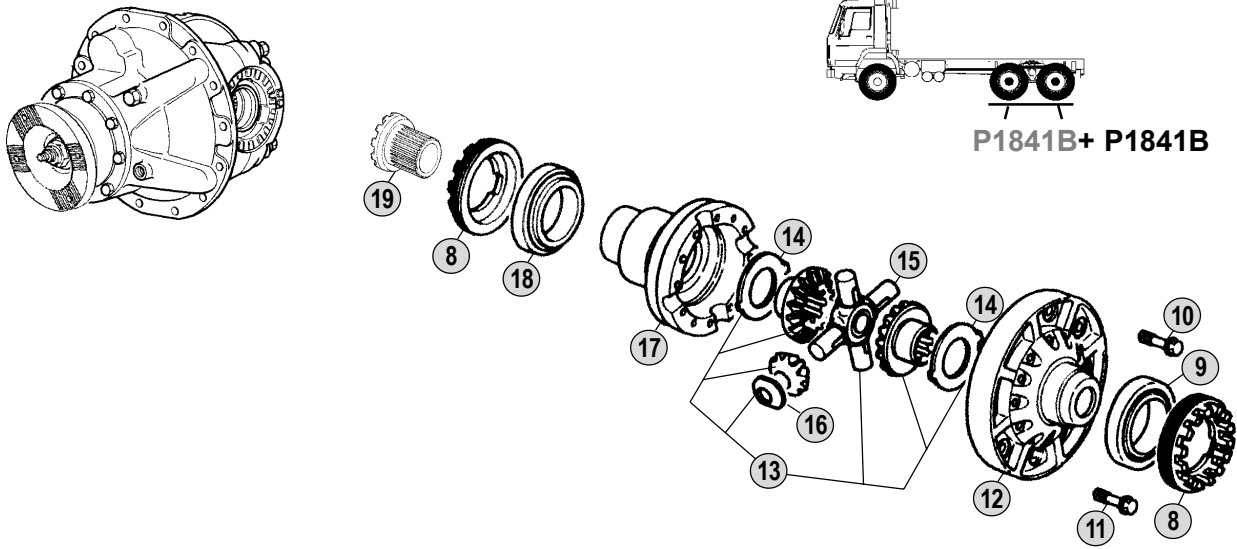




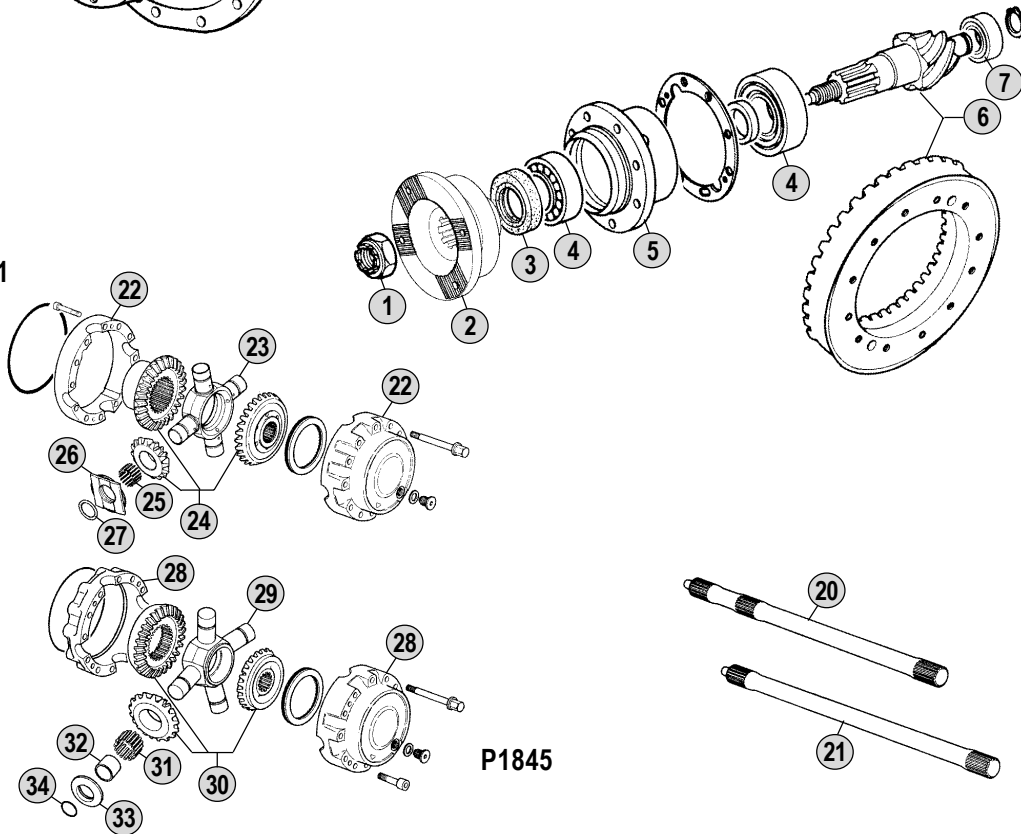
Adattabile a: **RENAULT V.I.** **P1841C - P1845C**  
 Suitable To:



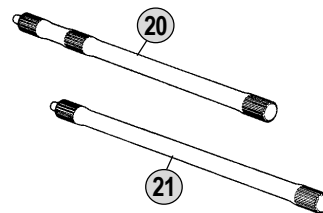
P1841B+ P1841B



P1841



P1845



All original equipment manufacturers' numbers, symbols, pictures, models and description used in this catalogue are for reference only, and it is not implied that any part listed is the product of these manufacturers. Tutti i nostri particolari non sono originali ma con essi intercambiabili. I riferimenti originali, le figure, i modelli sono esposti a semplice titolo indicativo. La nostra produzione riporta il nostro marchio.

Models

**PREMIUM - KERAX**

FAB 22EE (>>2001)

FAB 33AA (>>2001) / FAB 33A (2000 >>2002) / FAB 33A (>>2003)

Fig.	CEI no.	Rif. RVI	Description	Description	Q.ty	Note
1	287.004	50 00 664 043	Ecrou	Nut	1	
2	197.146	50 10 241 998	Bride de sortie	Output flange	1	
3	<b>139.758</b>	50 10 534 863	Bague etancheite	Oil seal	1	
4	130.745	50 00 682 795	Roulem. à rouleaux	Roller bearing	2	
5	175.317	50 00 675 546	Cuvette de roulement	Bearing housing	1	
6	<b>194.667</b>	56 00 584 421	Couple conique 21x37 R.=1:1,76	Crown & pinion 21x37 R.=1:1,76	1	(A) 100 km/h
6	<b>194.915</b>	56 00 594 920	Couple conique 20x37 R.=1:1,85	Crown & pinion 20x37 R.=1:1,85	1	(A) 95 km/h
6	<b>194.908</b>	56 00 594 919	Couple conique 19x37 R.=1:1,95	Crown & pinion 19x37 R.=1:1,95	1	(A) 90 km/h
6	<b>194.905</b>	56 00 594 918	Couple conique 17x35 R.=1:2,06	Crown & pinion 17x35 R.=1:2,06	1	(A) 86 km/h
6	<b>194.907</b>	56 00 594 917	Couple conique 17x37 R.=1:2,18	Crown & pinion 17x37 R.=1:2,18	1	(A) 81 km/h
6	<b>194.906</b>	56 00 594 916	Couple conique 16x37 R.=1:2,31	Crown & pinion 16x37 R.=1:2,31	1	(B) 76 km/h
6	<b>194.911</b>	56 00 594 915	Couple conique 17x41 R.=1:2,41	Crown & pinion 17x41 R.=1:2,41	1	(B) 73 km/h
6	<b>194.840</b>	56 00 594 914	Couple conique 16x41 R.=1:2,56	Crown & pinion 16x41 R.=1:2,56	1	(B) 69 km/h
6	<b>194.917</b>	56 00 594 913	Couple conique 14x38 R.=1:2,71	Crown & pinion 14x38 R.=1:2,71	1	(C) 65 km/h
6	<b>194.909</b>	56 00 594 912	Couple conique 14x41 R.=1:2,93	Crown & pinion 14x41 R.=1:2,93	1	(C) 60 km/h
6	194.916	56 00 594 911	Couple conique 13x41 R.=1:3,15	Crown & pinion 13x41 R.=1:3,15	1	(C) 56 km/h
6	194.910	56 00 594 910	Couple conique 11x38 R.=1:3,45	Crown & pinion 11x38 R.=1:3,45	1	(C) 51 km/h
6	194.974	56 00 594 908	Couple conique 10x41 R.=1:4,10	Crown & pinion 10x41 R.=1:4,10	1	(C) 43 km/h
6	194.972	56 00 594 907	Couple conique 9x41 R.=1:4,55	Crown & pinion 9x41 R.=1:4,55	1	(C) 39 km/h
6	194.973	56 00 594 906	Couple conique 8x41 R.=1:5,12	Crown & pinion 8x41 R.=1:5,12	1	(C) 34 km/h
7	130.739	50 00 785 250	Roulem à billes	Roller bearing	1	
8	187.745	50 00 664 855	Ecrou	Nut	2	
9	130.740	50 10 241 094	Roulem à billes	Roller bearing	1	
10	187.746	50 00 682 326	Vis	Screw	12	
11	187.727	50 00 671 332	Vis	Screw	16	
12	<b>175.295</b>	50 10 534 112	Demi-carter différentiel	Differential Housing Half	1	(A)
12	<b>175.307</b>	50 10 534 111	Demi-carter différentiel	Differential Housing Half	1	(B)
12	175.305	50 10 534 110	Demi-carter différentiel	Differential Housing Half	1	(C)
13	<b>298.044</b>	50 01 857 599	Lot de reparation Diff.	Repair kit	1	Z14+Z9
14	269.018	50 00 671 226	Rondelle	Washer	2	
15	133.163	50 10 534 983	Croisillon	Differential spider	1	
16	<b>269.017</b>	50 10 534 114	Rondelle	Washer	4	
17	<b>175.306</b>	50 10 534 113	Demi-carter différentiel	Differential Housing Half	1	
18	130.741	50 10 534 822	Roulement	Bearing	1	
19	154.401	50 00 671 457	Blocage différentiel	Central gear lock	1	
20	170.239	50 00 682 748	Demi-essieu	Drive shaft	1	(P1841)
20	170.263	50 00 682 747	Demi-essieu	Drive shaft	1	(P1841)
20	170.233	50 00 675 802	Demi-essieu	Drive shaft	1	(P1845)
20	170.264	50 00 675 799	Demi-essieu	Drive shaft	1	(P1845)
21	170.223	50 00 675 990	Demi-essieu	Drive shaft	1	(P1841)
21	170.243	50 00 675 838	Demi-essieu	Drive shaft	1	(P1845)
22	175.315	50 00 675 811	Demi-boite réducteur roue	Wheel reduction gear half housin	1	(P1841)
23	133.166	50 10 534 987	Croisillon	Spider	1	(P1841)
24	298.109	50 00 849 420	Kit réducteur roue	Wheel reduction gear kit	1	(P1841)
25	171.066	50 00 787 718	Aiguille de roulement	Needle	0	(P1841)

## Notes

(A-B-C) Respecter obligatoirement l'accouplement entre la boîte différentiel et la couple conique.  
Respect the coupling as the assembling wheelbase between the CWP and the differential housing changes.

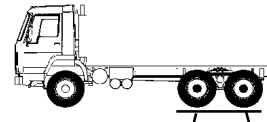
## Date

06 / 2008

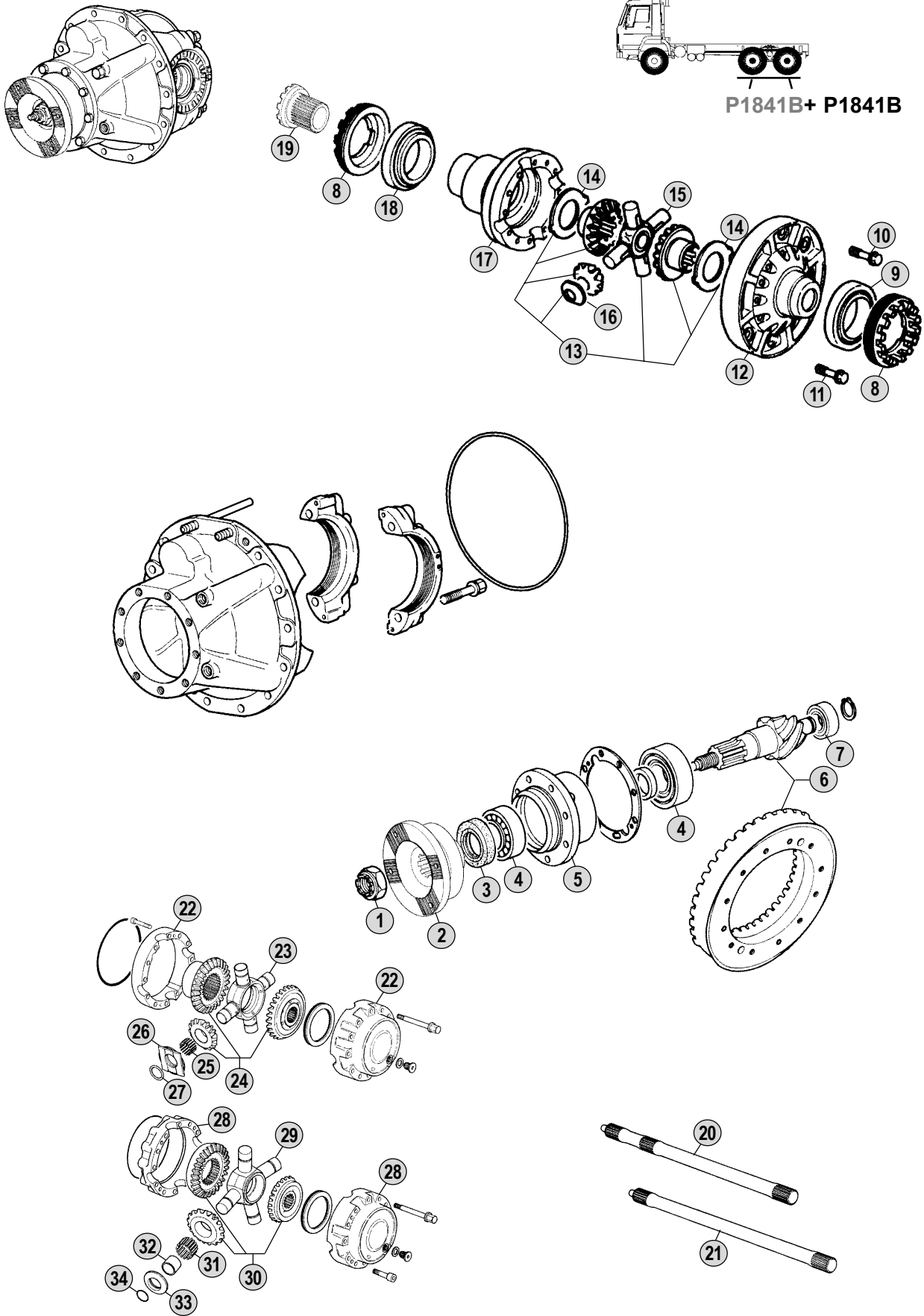
## Table

**0150**

Adattabile a : **RENAULT V.I.** **P1841C - P1845C**  
 Suitable To :



P1841B+ P1841B



All original equipment manufacturers' numbers, symbols, pictures, models and description used in this catalogue are for reference only, and it is not implied that any part listed is the product of these manufacturers. Tutti i nostri particolari non sono originali ma con essi intercambiabili. I riferimenti originali, le figure, i modelli sono esposti a semplice titolo indicativo. La nostra produzione riprende il nostro marchio.

Models

**PREMIUM - KERAX**

FAB 22EE (>>2001)

FAB 33AA (>>2001) / FAB 33A (2000 >>2002) / FAB 33A (>>2003)





# R.V.I. Index

R.V.I. no.	CEI no.	Tab.	Fig.	R.V.I. no.	CEI no.	Tab.	Fig.	R.V.I. no.	CEI no.	Tab.	Fig.
00 00 192 766	133.029	00090	28	50 00 653 868	<b>109.143</b>	00025	13A	50 00 655 518	See 50 00 690 191		
00 23 236 078	See 00 23 336 288			50 00 653 874	<b>147.218</b>	00010	46	50 00 655 543	See 50 10 372 353		
00 23 336 044	130.761	00045	34	50 00 653 874	<b>147.218</b>	00010	46	50 00 655 547	187.715	00015	14
00 23 336 288	130.522	00010	43	50 00 653 874	<b>147.218</b>	00020	62	50 00 655 547	187.715	00025	14
00 23 336 288	130.522	00020	59	50 00 653 875	<b>154.359</b>	00010	48	50 00 655 564	169.999	00010	33
00 23 336 871	130.738	00030	13	50 00 653 875	<b>154.359</b>	00020	64	50 00 655 576	<b>169.707</b>	00015	4
00 23 336 872	130.746	00050	3	50 00 653 876	<b>146.576</b>	00010	49	50 00 655 576	<b>169.707</b>	00025	4
00 23 351 022	130.373	00015	1	50 00 653 876	<b>146.576</b>	00010	49	50 00 655 590	156.187	00010	28
00 23 351 022	130.373	00025	1	50 00 653 876	<b>146.576</b>	00020	65	50 00 655 590	156.187	00020	44
09 48 360 986	139.225	00090	32	50 00 653 878	105.181	00010	26	50 00 655 684	107.200	00015	3
09 48 361 064	269.091	00040	43	50 00 653 879	<b>196.203</b>	00010	31	50 00 655 684	107.200	00025	3
09 48 361 064	269.091	00045	45	50 00 653 879	<b>196.203</b>	00020	47	50 00 655 779	128.205	00020	39
09 48 361 064	269.091	00050	42	50 00 653 932	<b>107.142</b>	00015	3	50 00 655 781	128.204	00020	35
09 48 361 064	269.091	00060	43	50 00 653 932	<b>107.142</b>	00025	3	50 00 655 786	141.193	00020	10
09 48 361 064	269.091	00080	25	50 00 653 988	190.372	00015	2	50 00 664 043	287.004	00050	18
09 48 361 064	269.091	00085	27	50 00 653 988	190.372	00025	2	50 00 664 043	287.004	00060	18
09 48 361 064	269.091	00090	32	50 00 655 301	298.008	00015	11	50 00 664 043	287.004	00070	1
09 48 361 064	269.091	00115	27	50 00 655 301	298.008	00025	11	50 00 664 043	287.004	00080	1
09 48 361 064	269.091	00130	27	50 00 655 311	See 50 00 673 698			50 00 664 043	287.004	00090	1
09 48 361 064	269.091	00140	27	50 00 655 313	107.199	00010	44	50 00 664 043	287.004	00120	1
09 48 361 064	269.091	00150	27	50 00 655 313	107.199	00020	60	50 00 664 043	287.004	00130	1
09 79 100 600	171.060	00010	29	50 00 655 323	157.229	00010	47	50 00 664 043	287.004	00140	1
09 79 100 600	171.060	00010	29	50 00 655 323	157.229	00020	63	50 00 664 043	287.004	00150	1
09 79 100 600	171.060	00020	45	50 00 655 328	See 50 00 673 078			50 00 664 246	146.642	00050	19
09 79 100 600	171.060	00020	45	50 00 655 329	123.263	00015	7	50 00 664 259	See 50 10 319 148		
50 00 443 519	See 50 10 242 776			50 00 655 329	123.263	00025	7	50 00 664 260	154.403	00050	4
50 00 653 709	146.575	00010	49	50 00 655 330	150.162	00015	8	50 00 664 273	141.213	00050	5
50 00 653 710	147.217	00010	46	50 00 655 330	150.162	00025	8	50 00 664 413	175.314	00040	37
50 00 653 713	145.806	00010	19	50 00 655 384	141.192	00015	19	50 00 664 413	175.314	00045	40
50 00 653 714	145.804	00010	13	50 00 655 384	141.192	00025	19	50 00 664 413	175.314	00060	37
50 00 653 716	190.369	00010	2	50 00 655 418	189.626	00015	23	50 00 664 413	175.314	00085	22
50 00 653 797	196.346	00010	8	50 00 655 418	189.626	00025	23	50 00 664 413	175.314	00115	22
50 00 653 856	190.370	00010	2	50 00 655 480	188.144	00010	18	50 00 664 855	187.745	00030	16
50 00 653 858	196.347	00010	8	50 00 655 480	188.144	00020	6	50 00 664 855	187.745	00040	24
50 00 653 858	196.347	00020	20	50 00 655 480	188.144	00020	30	50 00 664 855	187.745	00050	24
50 00 653 859	145.805	00010	13	50 00 655 482	188.143	00010	3	50 00 664 855	187.745	00060	24
50 00 653 859	145.805	00020	25	50 00 655 482	188.143	00020	15	50 00 664 855	187.745	00070	8
50 00 653 860	145.807	00010	19	50 00 655 504	128.202	00010	23	50 00 664 855	187.745	00080	8
50 00 653 860	145.807	00020	31	50 00 655 516	<b>141.150</b>	00010	15	50 00 664 855	187.745	00090	8
50 00 653 866	See 50 00 690 124			50 00 655 516	<b>141.150</b>	00020	9	50 00 664 855	187.745	00120	8
50 00 653 868	<b>109.143</b>	00015	13A	50 00 655 516	<b>141.150</b>	00020	27	50 00 664 855	187.745	00130	8
50 00 653 868	<b>109.143</b>	00015	13A	50 00 655 517	<b>141.151</b>	00010	11	50 00 664 855	187.745	00140	8
50 00 653 868	<b>109.143</b>	00025	13A	50 00 655 517	<b>141.151</b>	00020	23	50 00 664 855	187.745	00150	8

Date

06 / 2008

Table

Index

Index **R.V.I.**

R.V.I. no.	CEI no.	Tab.	Fig.	R.V.I. no.	CEI no.	Tab.	Fig.	R.V.I. no.	CEI no.	Tab.	Fig.
50 00 664 943	133.167	00050	39	50 00 671 457	154.401	00080	19	50 00 673 341	187.555	00020	56
50 00 664 943	133.167	00060	39	50 00 671 457	154.401	00085	19	50 00 673 341	187.555	00020	68
50 00 664 943	133.167	00090	21	50 00 671 457	154.401	00090	19	50 00 673 356	196.218	00020	8
50 00 664 943	133.167	00115	29	50 00 671 457	154.401	00115	19	50 00 673 366	See 50 10 242 997		
50 00 664 943	133.167	00130	29	50 00 671 457	154.401	00120	19	50 00 673 373	111.263	00015	9
50 00 664 943	133.167	00140	29	50 00 671 457	154.401	00130	19	50 00 673 373	111.263	00025	9
50 00 664 943	133.167	00150	29	50 00 671 457	154.401	00140	19	50 00 673 397	See 50 00 690 174		
50 00 669 120	See 50 00 673 341			50 00 671 457	154.401	00150	19	50 00 673 420	137.254	00010	36
50 00 669 277	190.377	00020	14	50 00 671 808	117.390	00030	6	50 00 673 420	137.254	00020	52
50 00 669 304	109.363	00015	13A	50 00 673 017	See 50 00 673 694			50 00 673 429	196.219	00010	14
50 00 669 304	109.363	00025	13A	50 00 673 024	See 50 00 690 026			50 00 673 429	196.219	00020	26
50 00 671 226	269.018	00030	21	50 00 673 027	145.732	00010	6	50 00 673 430	196.220	00010	7
50 00 671 226	269.018	00040	27	50 00 673 027	145.732	00020	18	50 00 673 430	196.220	00020	19
50 00 671 226	269.018	00045	28	50 00 673 029	103.189	00010	17	50 00 673 524	See 50 10 372 353		
50 00 671 226	269.018	00050	27	50 00 673 029	103.189	00020	29	50 00 673 549	109.388	00015	13B
50 00 671 226	269.018	00060	27	50 00 673 054	190.375	00015	2	50 00 673 549	109.388	00015	13B
50 00 671 226	269.018	00070	14	50 00 673 054	190.375	00025	2	50 00 673 549	109.388	00025	13B
50 00 671 226	269.018	00080	14	50 00 673 077	157.657	00010	21	50 00 673 549	109.388	00025	13B
50 00 671 226	269.018	00085	14	50 00 673 077	157.657	00020	33	50 00 673 556	109.387	00015	13B
50 00 671 226	269.018	00090	14	50 00 673 078	157.164	00015	6	50 00 673 556	109.387	00025	13B
50 00 671 226	269.018	00115	13	50 00 673 078	157.164	00025	6	50 00 673 690	145.442	00010	13
50 00 671 226	269.018	00120	14	50 00 673 089	109.142	00020	12	50 00 673 690	145.442	00020	25
50 00 671 226	269.018	00130	14	50 00 673 117	190.245	00020	5	50 00 673 691	145.443	00010	19
50 00 671 226	269.018	00140	14	50 00 673 139	190.373	00015	2	50 00 673 691	145.443	00020	31
50 00 671 226	269.018	00150	14	50 00 673 139	190.373	00025	2	50 00 673 692	196.234	00010	8
50 00 671 332	187.727	00030	19	50 00 673 219	143.080	00010	37	50 00 673 692	196.234	00020	20
50 00 671 332	187.727	00040	33	50 00 673 219	143.080	00020	53	50 00 673 694	190.247	00010	2
50 00 671 332	187.727	00045	35	50 00 673 226	269.001	00010	33	50 00 673 696	190.246	00020	14
50 00 671 332	187.727	00050	33	50 00 673 226	269.001	00020	49	50 00 673 698	146.349	00010	25
50 00 671 332	187.727	00060	33	50 00 673 247	See 50 00 690 181			50 00 673 698	146.349	00020	41
50 00 671 332	187.727	00070	11	50 00 673 266	143.081	00010	37	50 00 673 699	See 50 10 242 997		
50 00 671 332	187.727	00080	11	50 00 673 266	143.081	00020	53	50 00 673 911	145.441	00020	3
50 00 671 332	187.727	00090	11	50 00 673 267	196.278	00010	31	50 00 673 912	146.350	00020	38
50 00 671 332	187.727	00120	11	50 00 673 267	196.278	00020	47	50 00 673 991	190.371	00010	2
50 00 671 332	187.727	00130	11	50 00 673 275	157.163	00010	30	50 00 675 546	175.317	00070	5
50 00 671 332	187.727	00140	11	50 00 673 275	157.163	00020	46	50 00 675 546	175.317	00080	5
50 00 671 332	187.727	00150	11	50 00 673 278	156.188	00010	28	50 00 675 546	175.317	00090	5
50 00 671 457	154.401	00030	27	50 00 673 278	156.188	00020	44	50 00 675 546	175.317	00120	5
50 00 671 457	154.401	00040	23	50 00 673 279	269.002	00010	34	50 00 675 546	175.317	00130	5
50 00 671 457	154.401	00045	24	50 00 673 279	269.002	00020	50	50 00 675 546	175.317	00140	5
50 00 671 457	154.401	00050	23	50 00 673 341	187.555	00010	40	50 00 675 546	175.317	00150	5
50 00 671 457	154.401	00060	23	50 00 673 341	187.555	00010	52	50 00 675 723	194.949	00030	14
50 00 671 457	154.401	00070	19	50 00 673 341	187.555	00020	36	50 00 675 727	175.318	00090	5

Date

06 / 2008

Table

Index

All original equipment manufacturers numbers, symbols, pictures, models and description used in this catalogue are for reference only, and it is not implied that any part listed is the product of these manufacturers.  
Tutti i nostri particolari non sono originali ma con essi intercambiabili. I riferimenti originali, le figure, i modelli sono esposti a semplice titolo indicativo. La nostra produzione riporta il nostro marchio.

# R.V.I. Index

R.V.I. no.	CEI no.	Tab.	Fig.	R.V.I. no.	CEI no.	Tab.	Fig.	R.V.I. no.	CEI no.	Tab.	Fig.
50 00 675 752	194.946	00030	14	50 00 682 033	194.967	00050	21	50 00 682 795	130.745	00140	4
50 00 675 755	194.947	00030	14	50 00 682 099	105.207	00030	4	50 00 682 795	130.745	00150	4
50 00 675 758	194.948	00030	14	50 00 682 113	130.734	00030	3	50 00 685 837	130.735	00030	5
50 00 675 790	170.251	00090	33	50 00 682 265	194.966	00050	21	50 00 685 869	197.144	00050	2
50 00 675 791	170.250	00090	33	50 00 682 274	194.964	00050	21	50 00 685 987	See 50 10 319 148		
50 00 675 796	170.235	00030	29	50 00 682 280	194.962	00050	21	50 00 685 989	269.089	00040	7
50 00 675 796	170.235	00040	36	50 00 682 286	194.961	00050	21	50 00 685 989	269.089	00050	7
50 00 675 796	170.235	00060	36	50 00 682 301	194.960	00050	21	50 00 685 989	269.089	00060	7
50 00 675 798	170.253	00090	33	50 00 682 307	194.958	00050	21	50 00 685 990	130.747	00050	8
50 00 675 799	170.264	00140	20	50 00 682 326	187.746	00030	18	50 00 690 011	141.190	00010	16
50 00 675 799	170.264	00150	20	50 00 682 326	187.746	00040	32	50 00 690 011	141.190	00020	28
50 00 675 800	170.252	00090	33	50 00 682 326	187.746	00050	32	50 00 690 012	141.189	00010	12
50 00 675 801	170.246	00070	20	50 00 682 326	187.746	00060	32	50 00 690 012	141.189	00020	24
50 00 675 801	170.246	00080	26	50 00 682 326	187.746	00070	10	50 00 690 018	See 50 10 242 777		
50 00 675 802	170.233	00030	28	50 00 682 326	187.746	00080	10	50 00 690 022	130.376	00020	2
50 00 675 802	170.233	00040	35	50 00 682 326	187.746	00090	10	50 00 690 023	130.378	00020	37
50 00 675 802	170.233	00050	35	50 00 682 326	187.746	00120	10	50 00 690 024	130.377	00020	7
50 00 675 802	170.233	00060	35	50 00 682 326	187.746	00130	10	50 00 690 026	<b>196.204</b>	00015	12
50 00 675 802	170.233	00120	20	50 00 682 326	187.746	00140	10	50 00 690 026	<b>196.204</b>	00025	12
50 00 675 802	170.233	00130	20	50 00 682 326	187.746	00150	10	50 00 690 034	105.182	00010	27
50 00 675 802	170.233	00140	20	50 00 682 329	117.391	00030	8	50 00 690 035	190.379	00020	43
50 00 675 802	170.233	00150	20	50 00 682 350	194.965	00050	21	50 00 690 040	See 50 10 372 460		
50 00 675 803	170.248	00070	21	50 00 682 353	194.963	00050	21	50 00 690 124	<b>198.662</b>	00015	11
50 00 675 803	170.248	00080	27	50 00 682 524	170.254	00090	34	50 00 690 124	<b>198.662</b>	00025	11
50 00 675 811	175.315	00050	37	50 00 682 747	170.263	00140	20	50 00 690 174	<b>196.226</b>	00010	32
50 00 675 811	175.315	00080	20	50 00 682 747	170.263	00150	20	50 00 690 174	<b>196.226</b>	00020	48
50 00 675 811	175.315	00090	27	50 00 682 748	170.239	00050	35	50 00 690 181	<b>141.139</b>	00010	35
50 00 675 811	175.315	00130	22	50 00 682 748	170.239	00090	33	50 00 690 181	<b>141.139</b>	00020	51
50 00 675 811	175.315	00140	22	50 00 682 748	170.239	00120	20	50 00 690 188	<b>280.500</b>	00015	25
50 00 675 811	175.315	00150	22	50 00 682 748	170.239	00130	20	50 00 690 188	<b>280.500</b>	00025	25
50 00 675 838	170.243	00050	36	50 00 682 748	170.239	00140	20	50 00 690 191	<b>141.152</b>	00015	18
50 00 675 838	170.243	00060	36	50 00 682 748	170.239	00150	20	50 00 690 191	<b>141.152</b>	00025	18
50 00 675 838	170.243	00090	34	50 00 682 795	130.745	00040	19	50 00 695 135	<b>187.730</b>	00100	27
50 00 675 838	170.243	00120	21	50 00 682 795	130.745	00045	21	50 00 785 250	130.739	00030	15
50 00 675 838	170.243	00130	21	50 00 682 795	130.745	00050	20	50 00 785 250	130.739	00040	22
50 00 675 838	170.243	00140	21	50 00 682 795	130.745	00060	20	50 00 785 250	130.739	00050	22
50 00 675 838	170.243	00150	21	50 00 682 795	130.745	00070	4	50 00 785 250	130.739	00060	22
50 00 675 990	170.223	00050	36	50 00 682 795	130.745	00080	4	50 00 785 250	130.739	00070	7
50 00 675 990	170.223	00090	34	50 00 682 795	130.745	00085	4	50 00 785 250	130.739	00080	7
50 00 675 990	170.223	00120	21	50 00 682 795	130.745	00090	4	50 00 785 250	130.739	00090	7
50 00 675 990	170.223	00130	21	50 00 682 795	130.745	00115	4	50 00 785 250	130.739	00120	7
50 00 675 990	170.223	00140	21	50 00 682 795	130.745	00120	4	50 00 785 250	130.739	00130	7
50 00 675 990	170.223	00150	21	50 00 682 795	130.745	00130	4	50 00 785 250	130.739	00140	7

Date

06 / 2008

Table

Index



Index **R.V.I.**

R.V.I. no.	CEI no.	Tab.	Fig.	R.V.I. no.	CEI no.	Tab.	Fig.	R.V.I. no.	CEI no.	Tab.	Fig.
50 00 785 250	130.739	00150	7	50 00 849 420	298.109	00090	29	50 01 865 510	<b>298.079</b>	00085	12
50 00 786 290	See 50 10 372 460			50 00 849 420	298.109	00115	24	50 01 865 510	<b>298.079</b>	00115	12
50 00 786 292	See 50 10 242 774			50 00 849 420	298.109	00130	24	50 03 065 128	269.093	00050	45
50 00 786 296	See 50 10 242 775			50 00 849 420	298.109	00140	24	50 03 065 128	269.093	00060	43
50 00 786 298	See 50 10 242 776			50 00 849 420	298.109	00150	24	50 03 065 128	269.093	00090	26
50 00 786 299	See 50 10 242 774			50 00 849 555	<b>298.080</b>	00050	38	50 03 065 128	269.093	00115	34
50 00 786 301	<b>137.121</b>	00015	5	50 00 849 555	<b>298.080</b>	00060	38	50 03 065 128	269.093	00130	34
50 00 786 301	<b>137.121</b>	00025	5	50 00 849 555	<b>298.080</b>	00090	22	50 03 065 128	269.093	00140	34
50 00 787 032	See 50 10 372 462			50 00 849 555	<b>298.080</b>	00115	30	50 03 065 128	269.093	00150	34
50 00 787 718	171.066	00040	40	50 00 849 555	<b>298.080</b>	00130	30	50 03 090 110	137.252	00010	9
50 00 787 718	171.066	00045	43	50 00 849 555	<b>298.080</b>	00140	30	50 03 090 110	137.252	00020	21
50 00 787 718	171.066	00050	40	50 00 849 555	<b>298.080</b>	00150	30	50 03 090 112	137.253	00010	10
50 00 787 718	171.066	00060	40	50 00 849 556	See 50 00 849 555			50 03 090 112	137.253	00020	22
50 00 787 718	171.066	00080	23	50 00 849 667	298.110	00090	29	50 03 090 113	130.372	00010	45
50 00 787 718	171.066	00085	25	50 00 849 678	See 50 10 319 148			50 03 090 113	130.372	00020	61
50 00 787 718	171.066	00090	30	50 00 850 164	280.620	00015	20	50 03 090 114	137.255	00010	50
50 00 787 718	171.066	00115	25	50 00 850 164	280.620	00025	20	50 03 090 114	137.255	00020	66
50 00 787 718	171.066	00130	25	50 00 850 271	280.622	00015	21	50 05 010 002	<b>117.392</b>	00040	11
50 00 787 718	171.066	00140	25	50 00 850 271	280.622	00025	21	50 05 010 002	<b>117.392</b>	00045	12
50 00 787 718	171.066	00150	25	50 01 823 541	280.624	00015	25	50 05 010 002	<b>117.392</b>	00050	11
50 00 788 402	130.736	00030	7	50 01 823 541	280.624	00025	25	50 05 010 002	<b>117.392</b>	00060	11
50 00 788 402	130.736	00040	15	50 01 846 323	189.627	00015	24	50 10 241 049	194.959	00050	21
50 00 788 402	130.736	00050	15	50 01 846 323	189.627	00025	24	50 10 241 094	130.740	00030	17
50 00 788 402	130.736	00060	15	50 01 854 473	<b>198.964</b>	00100	23	50 10 241 094	130.740	00040	34
50 00 788 406	130.748	00050	13	50 01 857 599	<b>298.044</b>	00040	30	50 10 241 094	130.740	00050	34
50 00 790 853	139.459	00010	4	50 01 857 599	<b>298.044</b>	00060	30	50 10 241 094	130.740	00060	34
50 00 790 853	139.459	00020	16	50 01 857 599	<b>298.044</b>	00080	13	50 10 241 094	130.740	00070	9
50 00 793 762	<b>198.753</b>	00010	54	50 01 857 599	<b>298.044</b>	00130	13	50 10 241 094	130.740	00080	9
50 00 793 762	<b>198.753</b>	00015	27	50 01 857 599	<b>298.044</b>	00150	13	50 10 241 094	130.740	00090	9
50 00 793 763	<b>198.754</b>	00020	70	50 01 859 269	See 50 01 863 200			50 10 241 094	130.740	00120	9
50 00 793 763	<b>198.754</b>	00025	27	50 01 863 200	<b>298.071</b>	00040	12	50 10 241 094	130.740	00130	9
50 00 794 101	<b>298.037</b>	00030	24	50 01 863 200	<b>298.071</b>	00060	12	50 10 241 094	130.740	00140	9
50 00 794 101	<b>298.037</b>	00040	30	50 01 863 408	<b>298.072</b>	00050	12	50 10 241 094	130.740	00150	9
50 00 794 101	<b>298.037</b>	00050	30	50 01 863 599	See 56 00 584 810			50 10 241 096	130.760	00045	26
50 00 794 101	<b>298.037</b>	00070	13	50 01 863 601	See 56 00 584 808			50 10 241 096	130.760	00085	17
50 00 794 101	<b>298.037</b>	00080	13	50 01 863 602	See 56 00 584 809			50 10 241 096	130.760	00115	17
50 00 794 101	<b>298.037</b>	00090	13	50 01 863 603	See 56 00 584 806			50 10 241 210	<b>187.732</b>	00100	16
50 00 794 101	<b>298.037</b>	00120	13	50 01 863 604	See 56 00 584 805			50 10 241 239	<b>187.724</b>	00040	1
50 00 794 101	<b>298.037</b>	00140	13	50 01 863 605	See 56 00 584 807			50 10 241 239	<b>187.724</b>	00045	1
50 00 849 420	298.109	00040	38	50 01 863 606	See 56 00 584 804			50 10 241 239	<b>187.724</b>	00060	1
50 00 849 420	298.109	00050	38	50 01 864 600	<b>298.056</b>	00100	32	50 10 241 239	<b>187.724</b>	00100	2
50 00 849 420	298.109	00060	38	50 01 864 601	<b>298.057</b>	00100	32	50 10 241 287	<b>269.020</b>	00100	9
50 00 849 420	298.109	00080	21	50 01 865 510	<b>298.079</b>	00045	31	50 10 241 288	<b>269.021</b>	00100	9

Date

06 / 2008

Table

Index

All original equipment manufacturers numbers, symbols, pictures, models and description used in this catalogue are for reference only, and it is not implied that any part listed is the product of these manufacturers. Tutti i nostri particolari non sono originali ma con essi intercambiabili. I riferimenti originali, le figure, i modelli sono esposti a semplice titolo indicativo. La nostra produzione riporta il nostro marchio.

# R.V.I. Index

R.V.I. no.	CEI no.	Tab.	Fig.	R.V.I. no.	CEI no.	Tab.	Fig.	R.V.I. no.	CEI no.	Tab.	Fig.
50 10 241 289	<b>269.022</b>	00100	9	50 10 242 777	130.521	00010	5	50 10 319 505	269.090	00115	26
50 10 241 401	<b>130.708</b>	00100	6	50 10 242 777	130.521	00020	17	50 10 319 505	269.090	00130	26
50 10 241 406	<b>130.299</b>	00100	12	50 10 242 778	130.371	00010	20	50 10 319 505	269.090	00140	26
50 10 241 890	269.096	00090	31	50 10 242 778	130.371	00020	32	50 10 319 505	269.090	00150	26
50 10 241 942	<b>199.254</b>	00100	15	50 10 242 997	<b>143.083</b>	00010	38	50 10 319 517	269.092	00050	44
50 10 241 945	<b>187.729</b>	00100	26	50 10 242 997	<b>143.083</b>	00020	54	50 10 319 517	269.092	00060	42
50 10 241 948	<b>154.376</b>	00100	28	50 10 319 040	<b>175.301</b>	00100	7	50 10 319 517	269.092	00090	25
50 10 241 998	197.146	00070	2	50 10 319 042	<b>269.023</b>	00100	8	50 10 319 517	269.092	00115	33
50 10 241 998	197.146	00080	2	50 10 319 043	<b>269.024</b>	00100	8	50 10 319 517	269.092	00130	33
50 10 241 998	197.146	00085	2	50 10 319 044	<b>269.077</b>	00100	8	50 10 319 517	269.092	00140	33
50 10 241 998	197.146	00090	2	50 10 319 045	<b>269.078</b>	00100	8	50 10 319 517	269.092	00150	33
50 10 241 998	197.146	00115	2	50 10 319 046	<b>269.079</b>	00100	8	50 10 319 562	<b>169.993</b>	00100	20
50 10 241 998	197.146	00120	2	50 10 319 047	<b>269.080</b>	00100	8	50 10 319 577	197.142	00030	2
50 10 241 998	197.146	00130	2	50 10 319 048	<b>269.081</b>	00100	8	50 10 319 579	170.236	00030	9
50 10 241 998	197.146	00140	2	50 10 319 102	<b>269.030</b>	00100	13	50 10 319 581	197.145	00050	16
50 10 241 998	197.146	00150	2	50 10 319 124	197.147	00100	3	50 10 319 588	197.151	00115	2
50 10 242 418	137.256	00020	4	50 10 319 125	<b>155.228</b>	00040	2	50 10 319 613	<b>175.297</b>	00100	19
50 10 242 535	155.222	00015	16	50 10 319 125	<b>155.228</b>	00060	2	50 10 319 614	<b>175.322</b>	00100	24
50 10 242 535	155.222	00025	16	50 10 319 125	<b>155.228</b>	00100	4	50 10 319 615	<b>175.296</b>	00100	24
50 10 242 536	155.223	00015	16	50 10 319 133	<b>187.731</b>	00100	18	50 10 319 630	See 50 10 319 631		
50 10 242 536	155.223	00025	16	50 10 319 148	<b>105.209</b>	00050	6	50 10 319 631	<b>170.220</b>	00100	36
50 10 242 540	155.224	00015	16	50 10 319 149	287.003	00040	17	50 10 319 632	<b>170.219</b>	00100	35
50 10 242 540	155.224	00015	16	50 10 319 149	287.003	00050	17	50 10 319 664	170.256	00090	35
50 10 242 540	155.224	00025	16	50 10 319 149	287.003	00060	17	50 10 319 665	170.255	00090	35
50 10 242 540	155.224	00025	16	50 10 319 216	170.238	00050	14	50 10 319 666	170.260	00090	36
50 10 242 541	155.225	00015	16	50 10 319 268	175.316	00050	37	50 10 319 667	170.257	00090	35
50 10 242 541	155.225	00015	16	50 10 319 268	175.316	00060	37	50 10 319 668	170.258	00090	35
50 10 242 541	155.225	00025	16	50 10 319 268	175.316	00090	20	50 10 319 669	170.259	00090	36
50 10 242 541	155.225	00025	16	50 10 319 268	175.316	00115	28	50 10 319 751	<b>130.709</b>	00100	10
50 10 242 648	280.621	00015	20	50 10 319 268	175.316	00130	28	50 10 319 798	170.237	00040	14
50 10 242 648	280.621	00025	20	50 10 319 268	175.316	00140	28	50 10 319 798	170.237	00060	14
50 10 242 718	141.191	00010	53	50 10 319 268	175.316	00150	28	50 10 319 814	146.641	00040	20
50 10 242 718	141.191	00020	69	50 10 319 269	175.319	00090	27	50 10 319 814	146.641	00060	19
50 10 242 741	190.374	00015	2	50 10 319 275	146.640	00030	12	50 10 319 821	154.402	00040	4
50 10 242 741	190.374	00025	2	50 10 319 374	130.737	00030	11	50 10 319 821	154.402	00045	4
50 10 242 774	130.520	00010	1	50 10 319 478	<b>169.992</b>	00100	22	50 10 319 821	154.402	00060	4
50 10 242 774	130.520	00020	13	50 10 319 505	269.090	00040	42	50 10 319 824	141.212	00040	5
50 10 242 775	130.525	00010	39	50 10 319 505	269.090	00045	44	50 10 319 824	141.212	00045	5
50 10 242 775	130.525	00010	51	50 10 319 505	269.090	00050	41	50 10 319 824	141.212	00060	5
50 10 242 775	130.525	00020	55	50 10 319 505	269.090	00060	42	50 10 319 912	194.971	00060	21
50 10 242 775	130.525	00020	67	50 10 319 505	269.090	00080	24	50 10 319 917	130.743	00040	8
50 10 242 776	130.526	00010	24	50 10 319 505	269.090	00085	26	50 10 319 917	130.743	00060	8
50 10 242 776	130.526	00020	40	50 10 319 505	269.090	00090	31	50 10 372 044	189.628	00015	24

Date

06 / 2008

Table

Index

R.V.I. no.	CEI no.	Tab.	Fig.	R.V.I. no.	CEI no.	Tab.	Fig.	R.V.I. no.	CEI no.	Tab.	Fig.
50 10 372 044	189.628	00025	24	50 10 443 564	194.955	00060	21	50 10 534 086	170.242	00085	21
50 10 372 201	187.716	00015	17	50 10 443 581	194.956	00040	21	50 10 534 086	170.242	00115	21
50 10 372 201	187.716	00015	17	50 10 443 703	197.143	00040	16	50 10 534 086	170.242	00120	21
50 10 372 201	187.716	00025	17	50 10 443 703	197.143	00060	16	50 10 534 086	170.242	00130	21
50 10 372 201	187.716	00025	17	50 10 443 787	194.951	00040	21	50 10 534 092	170.240	00050	35
50 10 372 201	187.716	00030	1	50 10 443 787	194.951	00060	21	50 10 534 092	170.240	00090	33
50 10 372 201	187.716	00050	1	50 10 443 791	See 50 10 534 617			50 10 534 092	170.240	00120	20
50 10 372 327	190.376	00020	5	50 10 443 865	194.953	00040	21	50 10 534 092	170.240	00130	20
50 10 372 331	See 50 10 372 044			50 10 443 865	194.953	00060	21	50 10 534 101	<b>175.299</b>	00100	33
50 10 372 345	187.717	00020	1	50 10 443 869	194.954	00040	21	50 10 534 102	<b>175.298</b>	00100	34
50 10 372 349	128.203	00010	23	50 10 443 869	194.954	00060	21	50 10 534 110	175.305	00040	31
50 10 372 353	<b>187.556</b>	00010	22	50 10 443 948	171.067	00050	40	50 10 534 110	175.305	00050	31
50 10 372 353	<b>187.556</b>	00015	17	50 10 443 948	171.067	00060	40	50 10 534 110	175.305	00060	31
50 10 372 353	<b>187.556</b>	00020	11	50 10 443 948	171.067	00090	23	50 10 534 110	175.305	00070	12
50 10 372 353	<b>187.556</b>	00020	34	50 10 443 948	171.067	00115	31	50 10 534 110	175.305	00080	12
50 10 372 353	<b>187.556</b>	00025	17	50 10 443 948	171.067	00130	31	50 10 534 110	175.305	00090	12
50 10 372 353	<b>187.556</b>	00030	10	50 10 443 948	171.067	00140	31	50 10 534 110	175.305	00120	12
50 10 372 353	<b>187.556</b>	00040	18	50 10 443 948	171.067	00150	31	50 10 534 110	175.305	00130	12
50 10 372 460	130.524	00015	15	50 10 443 950	117.393	00040	41	50 10 534 110	175.305	00140	12
50 10 372 460	130.524	00025	15	50 10 443 950	117.393	00050	43	50 10 534 110	175.305	00150	12
50 10 372 461	130.375	00015	15	50 10 443 950	117.393	00060	41	50 10 534 111	<b>175.307</b>	00030	20
50 10 372 461	130.375	00015	15	50 10 443 950	117.393	00090	24	50 10 534 111	<b>175.307</b>	00040	31
50 10 372 461	130.375	00025	15	50 10 443 950	117.393	00115	32	50 10 534 111	<b>175.307</b>	00050	31
50 10 372 461	130.375	00025	15	50 10 443 950	117.393	00130	32	50 10 534 111	<b>175.307</b>	00060	31
50 10 372 462	130.523	00015	10	50 10 443 950	117.393	00140	32	50 10 534 111	<b>175.307</b>	00070	12
50 10 372 462	130.523	00025	10	50 10 443 950	117.393	00150	32	50 10 534 111	<b>175.307</b>	00080	12
50 10 372 463	130.374	00015	10	50 10 534 001	See 50 10 534 863			50 10 534 111	<b>175.307</b>	00090	12
50 10 372 463	130.374	00015	10	50 10 534 022	194.968	00060	21	50 10 534 111	<b>175.307</b>	00120	12
50 10 372 463	130.374	00025	10	50 10 534 077	170.234	00030	29	50 10 534 111	<b>175.307</b>	00130	12
50 10 372 463	130.374	00025	10	50 10 534 077	170.234	00040	36	50 10 534 111	<b>175.307</b>	00140	12
50 10 439 065	130.742	00040	3	50 10 534 077	170.234	00060	36	50 10 534 111	<b>175.307</b>	00150	12
50 10 439 065	130.742	00045	3	50 10 534 081	170.247	00070	20	50 10 534 112	<b>175.295</b>	00040	31
50 10 439 065	130.742	00060	3	50 10 534 081	170.247	00080	26	50 10 534 112	<b>175.295</b>	00050	31
50 10 443 398	See 50 10 534 616			50 10 534 082	170.232	00030	28	50 10 534 112	<b>175.295</b>	00060	31
50 10 443 551	194.970	00060	21	50 10 534 082	170.232	00040	35	50 10 534 112	<b>175.295</b>	00070	12
50 10 443 556	194.969	00060	21	50 10 534 082	170.232	00050	35	50 10 534 112	<b>175.295</b>	00080	12
50 10 443 558	194.952	00040	21	50 10 534 082	170.232	00060	35	50 10 534 112	<b>175.295</b>	00090	12
50 10 443 558	194.952	00060	21	50 10 534 083	170.249	00070	21	50 10 534 112	<b>175.295</b>	00120	12
50 10 443 560	194.950	00040	21	50 10 534 083	170.249	00080	27	50 10 534 112	<b>175.295</b>	00130	12
50 10 443 560	194.950	00060	21	50 10 534 085	170.244	00050	36	50 10 534 112	<b>175.295</b>	00140	12
50 10 443 562	194.839	00040	21	50 10 534 085	170.244	00060	36	50 10 534 112	<b>175.295</b>	00150	12
50 10 443 562	194.839	00060	21	50 10 534 085	170.244	00090	34	50 10 534 113	<b>175.306</b>	00030	25
50 10 443 564	194.955	00040	21	50 10 534 086	170.242	00050	36	50 10 534 113	<b>175.306</b>	00040	26

All original equipment manufacturers numbers, symbols, pictures, models and description used in this catalogue are for reference only, and it is not implied that any part listed is the product of these manufacturers.  
Tutti i nostri particolari non sono originali ma con essi intercambiabili. I riferimenti originali, le figure, i modelli sono esposti a semplice titolo indicativo. La nostra produzione riporta il nostro marchio.

INDICE / INDEX  
Progression R.V.I. / R.V.I. Progression

Date

06 / 2008

Table

Index

# R.V.I. Index

R.V.I. no.	CEI no.	Tab.	Fig.	R.V.I. no.	CEI no.	Tab.	Fig.	R.V.I. no.	CEI no.	Tab.	Fig.
50 10 534 113	<b>175.306</b>	00050	26	50 10 534 364	287.009	00115	10	50 10 534 727	<b>269.037</b>	00100	31
50 10 534 113	<b>175.306</b>	00060	26	50 10 534 384	287.010	00045	36	50 10 534 728	<b>175.300</b>	00100	34
50 10 534 113	<b>175.306</b>	00070	17	50 10 534 384	287.010	00085	18	50 10 534 744	130.744	00040	13
50 10 534 113	<b>175.306</b>	00080	17	50 10 534 384	287.010	00115	18	50 10 534 744	130.744	00045	39
50 10 534 113	<b>175.306</b>	00085	16	50 10 534 400	287.011	00045	35	50 10 534 744	130.744	00060	13
50 10 534 113	<b>175.306</b>	00090	17	50 10 534 421	170.245	00050	36	50 10 534 791	197.149	00045	2
50 10 534 113	<b>175.306</b>	00115	16	50 10 534 421	170.245	00120	21	50 10 534 804	175.334	00085	5
50 10 534 113	<b>175.306</b>	00120	17	50 10 534 421	170.245	00130	21	50 10 534 804	175.334	00115	5
50 10 534 113	<b>175.306</b>	00130	17	50 10 534 422	170.241	00050	35	50 10 534 807	175.331	00045	18
50 10 534 113	<b>175.306</b>	00140	17	50 10 534 422	170.241	00120	20	50 10 534 808	130.757	00045	8
50 10 534 113	<b>175.306</b>	00150	17	50 10 534 422	170.241	00130	20	50 10 534 810	130.758	00045	17
50 10 534 114	<b>269.017</b>	00030	23	50 10 534 510	194.995	00045	22	50 10 534 822	130.741	00030	26
50 10 534 114	<b>269.017</b>	00040	28	50 10 534 514	194.996	00045	22	50 10 534 822	130.741	00040	25
50 10 534 114	<b>269.017</b>	00045	30	50 10 534 518	194.994	00045	22	50 10 534 822	130.741	00050	25
50 10 534 114	<b>269.017</b>	00050	28	50 10 534 522	194.997	00045	22	50 10 534 822	130.741	00060	25
50 10 534 114	<b>269.017</b>	00060	28	50 10 534 526	194.998	00045	22	50 10 534 822	130.741	00070	18
50 10 534 114	<b>269.017</b>	00070	16	50 10 534 530	194.985	00045	22	50 10 534 822	130.741	00080	18
50 10 534 114	<b>269.017</b>	00080	16	50 10 534 534	194.986	00045	22	50 10 534 822	130.741	00085	17
50 10 534 114	<b>269.017</b>	00085	13	50 10 534 538	194.984	00045	22	50 10 534 822	130.741	00090	18
50 10 534 114	<b>269.017</b>	00090	16	50 10 534 542	194.987	00045	22	50 10 534 822	130.741	00120	18
50 10 534 114	<b>269.017</b>	00115	15	50 10 534 546	194.988	00045	22	50 10 534 822	130.741	00130	18
50 10 534 114	<b>269.017</b>	00120	16	50 10 534 550	194.989	00045	22	50 10 534 822	130.741	00140	18
50 10 534 114	<b>269.017</b>	00130	16	50 10 534 554	194.990	00045	22	50 10 534 822	130.741	00150	18
50 10 534 114	<b>269.017</b>	00140	16	50 10 534 558	194.991	00045	22	50 10 534 823	130.759	00045	23
50 10 534 114	<b>269.017</b>	00150	16	50 10 534 562	194.992	00045	22	50 10 534 823	130.759	00085	7
50 10 534 227	133.165	00040	10	50 10 534 566	194.993	00045	22	50 10 534 823	130.759	00115	7
50 10 534 307	287.008	00045	25	50 10 534 575	105.213	00045	6	50 10 534 829	175.333	00045	32
50 10 534 307	287.008	00085	8	50 10 534 583	170.265	00045	16	50 10 534 830	175.346	00045	32
50 10 534 307	287.008	00115	8	50 10 534 616	<b>130.712</b>	00100	17	50 10 534 831	175.345	00045	27
50 10 534 352	175.338	00085	11	50 10 534 617	<b>130.711</b>	00100	25	50 10 534 832	175.332	00045	27
50 10 534 352	175.338	00115	11	50 10 534 620	<b>105.208</b>	00040	6	50 10 534 833	175.344	00045	27
50 10 534 353	175.335	00085	11	50 10 534 620	<b>105.208</b>	00060	6	50 10 534 834	175.343	00045	27
50 10 534 353	175.335	00115	11	50 10 534 636	<b>133.164</b>	00050	10	50 10 534 836	130.762	00085	9
50 10 534 354	175.336	00085	11	50 10 534 636	<b>133.164</b>	00060	10	50 10 534 836	130.762	00115	9
50 10 534 354	175.336	00115	11	50 10 534 648	287.007	00045	19	50 10 534 840	122.157	00045	13
50 10 534 355	175.337	00085	11	50 10 534 648	287.007	00085	1	50 10 534 863	<b>139.758</b>	00085	3
50 10 534 355	175.337	00115	11	50 10 534 648	287.007	00115	1	50 10 534 863	<b>139.758</b>	00100	5
50 10 534 357	175.339	00085	16	50 10 534 684	145.949	00045	9	50 10 534 863	<b>139.758</b>	00115	3
50 10 534 357	175.339	00115	16	50 10 534 685	146.643	00045	20	50 10 534 863	<b>139.758</b>	00120	3
50 10 534 360	170.272	00115	21	50 10 534 686	175.330	00045	10	50 10 534 863	<b>139.758</b>	00130	3
50 10 534 362	170.271	00115	20	50 10 534 687	133.169	00045	11	50 10 534 863	<b>139.758</b>	00140	3
50 10 534 364	287.009	00045	33	50 10 534 688	182.113	00045	14	50 10 534 863	<b>139.758</b>	00150	3
50 10 534 364	287.009	00085	10	50 10 534 703	194.957	00050	21	50 10 534 863	139.770	00070	3

Date

06 / 2008

Table

Index



R.V.I. no.	CEI no.	Tab.	Fig.	R.V.I. no.	CEI no.	Tab.	Fig.	R.V.I. no.	CEI no.	Tab.	Fig.
50 10 534 863	139.770	00080	3	56 00 106 920	298.006	00010	41	56 00 594 906	194.973	00150	6
50 10 534 863	139.770	00090	3	56 00 106 920	298.006	00020	57	56 00 594 907	194.972	00070	6
50 10 534 870	170.266	00045	37	56 00 538 683	298.007	00010	42	56 00 594 907	194.972	00080	6
50 10 534 871	170.267	00045	38	56 00 538 684	298.010	00020	58	56 00 594 907	194.972	00090	6
50 10 534 872	170.268	00085	20	56 00 546 933	See 50 01 863 408			56 00 594 907	194.972	00120	6
50 10 534 872	170.268	00115	20	56 00 584 415	See 56 00 584 805			56 00 594 907	194.972	00130	6
50 10 534 881	269.099	00045	7	56 00 584 416	See 56 00 584 804			56 00 594 907	194.972	00140	6
50 10 534 983	133.163	00030	22	56 00 584 417	<b>194.676</b>	00100	11	56 00 594 907	194.972	00150	6
50 10 534 983	133.163	00040	29	56 00 584 418	<b>194.672</b>	00100	11	56 00 594 908	194.974	00070	6
50 10 534 983	133.163	00045	29	56 00 584 421	<b>194.667</b>	00070	6	56 00 594 908	194.974	00080	6
50 10 534 983	133.163	00050	29	56 00 584 421	<b>194.667</b>	00080	6	56 00 594 908	194.974	00090	6
50 10 534 983	133.163	00060	29	56 00 584 421	<b>194.667</b>	00090	6	56 00 594 908	194.974	00120	6
50 10 534 983	133.163	00070	15	56 00 584 421	<b>194.667</b>	00120	6	56 00 594 908	194.974	00130	6
50 10 534 983	133.163	00080	15	56 00 584 421	<b>194.667</b>	00130	6	56 00 594 908	194.974	00140	6
50 10 534 983	133.163	00085	15	56 00 584 421	<b>194.667</b>	00140	6	56 00 594 908	194.974	00150	6
50 10 534 983	133.163	00090	15	56 00 584 421	<b>194.667</b>	00150	6	56 00 594 909	194.975	00090	6
50 10 534 983	133.163	00115	14	56 00 584 804	280.645	00100	1	56 00 594 910	194.910	00070	6
50 10 534 983	133.163	00120	15	56 00 584 805	280.634	00100	1	56 00 594 910	194.910	00080	6
50 10 534 983	133.163	00130	15	56 00 584 806	<b>280.643</b>	00100	1	56 00 594 910	194.910	00090	6
50 10 534 983	133.163	00140	15	56 00 584 807	<b>280.642</b>	00100	1	56 00 594 910	194.910	00120	6
50 10 534 983	133.163	00150	15	56 00 584 808	<b>280.640</b>	00100	1	56 00 594 910	194.910	00130	6
50 10 534 984	<b>133.159</b>	00100	21	56 00 584 809	<b>280.638</b>	00100	1	56 00 594 910	194.910	00140	6
50 10 534 987	133.166	00040	39	56 00 584 810	<b>280.633</b>	00100	1	56 00 594 910	194.910	00150	6
50 10 534 987	133.166	00045	41	56 00 584 811	280.635	00100	1	56 00 594 911	194.916	00070	6
50 10 534 987	133.166	00050	39	56 00 584 855	<b>194.597</b>	00100	11	56 00 594 911	194.916	00080	6
50 10 534 987	133.166	00060	39	56 00 586 093	See 56 00 584 811			56 00 594 911	194.916	00090	6
50 10 534 987	133.166	00080	22	56 00 586 094	See 56 00 584 810			56 00 594 911	194.916	00120	6
50 10 534 987	133.166	00085	23	56 00 586 095	See 56 00 584 809			56 00 594 911	194.916	00130	6
50 10 534 987	133.166	00090	28	56 00 586 096	See 56 00 584 808			56 00 594 911	194.916	00140	6
50 10 534 987	133.166	00115	23	56 00 586 097	See 56 00 584 807			56 00 594 911	194.916	00150	6
50 10 534 987	133.166	00130	23	56 00 586 098	See 56 00 584 806			56 00 594 912	<b>194.909</b>	00070	6
50 10 534 987	133.166	00140	23	56 00 593 775	See 56 00 594 921			56 00 594 912	<b>194.909</b>	00080	6
50 10 534 987	133.166	00150	23	56 00 593 776	See 56 00 584 855			56 00 594 912	<b>194.909</b>	00090	6
50 10 611 078	<b>175.312</b>	00040	9	56 00 593 777	See 56 00 594 923			56 00 594 912	<b>194.909</b>	00120	6
50 10 611 078	<b>175.312</b>	00050	9	56 00 593 778	See 56 00 594 924			56 00 594 912	<b>194.909</b>	00130	6
50 10 611 078	<b>175.312</b>	00060	9	56 00 593 779	See 56 00 594 925			56 00 594 912	<b>194.909</b>	00140	6
50 10 611 251	298.117	00045	42	56 00 593 780	See 56 00 594 926			56 00 594 912	<b>194.909</b>	00150	6
50 10 611 251	298.117	00085	24	56 00 594 906	194.973	00070	6	56 00 594 913	<b>194.917</b>	00070	6
56 00 106 749	190.266	00020	42	56 00 594 906	194.973	00080	6	56 00 594 913	<b>194.917</b>	00080	6
56 00 106 840	298.009	00020	57	56 00 594 906	194.973	00090	6	56 00 594 913	<b>194.917</b>	00090	6
56 00 106 851	298.005	00010	41	56 00 594 906	194.973	00120	6	56 00 594 913	<b>194.917</b>	00120	6
56 00 106 884	280.623	00015	22	56 00 594 906	194.973	00130	6	56 00 594 913	<b>194.917</b>	00130	6
56 00 106 884	280.623	00025	22	56 00 594 906	194.973	00140	6	56 00 594 913	<b>194.917</b>	00140	6

Date

06 / 2008

Table

Index

All original equipment manufacturers numbers, symbols, pictures, models and description used in this catalogue are for reference only, and it is not implied that any part listed is the product of these manufacturers.  
Tutti i nostri particolari non sono originali ma con essi intercambiabili. I riferimenti originali, le figure, i modelli sono esposti a semplice titolo indicativo. La nostra produzione riporta il nostro marchio.

# R.V.I. Index

R.V.I. no.	CEI no.	Tab.	Fig.	R.V.I. no.	CEI no.	Tab.	Fig.	R.V.I. no.	CEI no.	Tab.	Fig.
56 00 594 913	<b>194.917</b>	00150	6	56 00 594 920	<b>194.915</b>	00070	6	56 00 684 056	See 50 00 673 078		
56 00 594 914	<b>194.840</b>	00070	6	56 00 594 920	<b>194.915</b>	00080	6	56 00 684 057	See 50 00 673 698		
56 00 594 914	<b>194.840</b>	00080	6	56 00 594 920	<b>194.915</b>	00090	6	56 00 709 079	See 50 00 673 692		
56 00 594 914	<b>194.840</b>	00090	6	56 00 594 920	<b>194.915</b>	00120	6	56 00 709 099	See 50 10 242 997		
56 00 594 914	<b>194.840</b>	00120	6	56 00 594 920	<b>194.915</b>	00130	6	56 00 709 165	See 50 00 673 430		
56 00 594 914	<b>194.840</b>	00130	6	56 00 594 920	<b>194.915</b>	00140	6	74 01 522 099	154.404	00110	17
56 00 594 914	<b>194.840</b>	00140	6	56 00 594 920	<b>194.915</b>	00150		74 08 171 088	287.005	00095	7
56 00 594 914	<b>194.840</b>	00150	6	56 00 594 921	<b>194.673</b>	00100	11	74 08 171 088	287.005	00110	8
56 00 594 915	<b>194.911</b>	00070	6	56 00 594 922	See 56 00 584 855			74 08 171 092	133.168	00110	12
56 00 594 915	<b>194.911</b>	00080	6	56 00 594 923	<b>194.674</b>	00100	11	74 08 171 094	269.098	00110	13
56 00 594 915	<b>194.911</b>	00090	6	56 00 594 924	<b>194.670</b>	00100	11	74 08 171 096	269.097	00110	11
56 00 594 915	<b>194.911</b>	00120	6	56 00 594 925	<b>194.675</b>	00100	11	74 08 171 097	175.325	00110	10
56 00 594 915	<b>194.911</b>	00130	6	56 00 594 926	<b>194.671</b>	00100	11	74 08 171 098	175.324	00110	10
56 00 594 915	<b>194.911</b>	00140	6	56 00 664 956	294.014	00085	6	74 08 172 096	170.261	00110	18
56 00 594 915	<b>194.911</b>	00150	6	56 00 664 956	294.014	00115	6	74 08 172 097	170.262	00110	19
56 00 594 916	<b>194.906</b>	00070	6	56 00 664 957	294.013	00085	6	74 08 172 910	133.170	00095	11
56 00 594 916	<b>194.906</b>	00080	6	56 00 664 957	294.013	00115	6	74 08 172 945	199.269	00095	6
56 00 594 916	<b>194.906</b>	00090	6	56 00 664 958	294.012	00085	6	74 08 172 958	175.341	00095	9
56 00 594 916	<b>194.906</b>	00120	6	56 00 664 958	294.012	00115	6	74 08 172 959	175.342	00095	13
56 00 594 916	<b>194.906</b>	00130	6	56 00 664 959	294.011	00085	6	74 08 172 960	175.340	00095	3
56 00 594 916	<b>194.906</b>	00140	6	56 00 664 959	294.011	00115	6	74 20 366 524	<b>194.896</b>	00110	5
56 00 594 916	<b>194.906</b>	00150	6	56 00 664 960	294.010	00085	6	74 20 366 530	199.268	00110	7
56 00 594 917	<b>194.907</b>	00070	6	56 00 664 960	294.010	00115	6	74 20 366 531	175.323	00110	15
56 00 594 917	<b>194.907</b>	00080	6	56 00 664 961	294.009	00085	6	74 20 366 532	175.327	00110	4
56 00 594 917	<b>194.907</b>	00090	6	56 00 664 961	294.009	00115	6	74 20 366 533	130.756	00110	6
56 00 594 917	<b>194.907</b>	00120	6	56 00 664 962	294.008	00085	6	74 20 366 534	287.006	00095	1
56 00 594 917	<b>194.907</b>	00130	6	56 00 664 962	294.008	00115	6	74 20 366 534	287.006	00110	2
56 00 594 917	<b>194.907</b>	00140	6	56 00 664 963	294.007	00085	6	74 20 366 546	197.148	00110	3
56 00 594 917	<b>194.907</b>	00150	6	56 00 664 963	294.007	00115	6	74 20 438 753	130.763	00095	5
56 00 594 918	<b>194.905</b>	00070	6	56 00 664 964	294.006	00085	6	74 20 508 644	294.015	00095	4
56 00 594 918	<b>194.905</b>	00080	6	56 00 664 964	294.006	00115	6	74 20 508 645	294.016	00095	4
56 00 594 918	<b>194.905</b>	00090	6	56 00 664 965	294.005	00085	6	74 20 508 646	294.017	00095	4
56 00 594 918	<b>194.905</b>	00120	6	56 00 664 965	294.005	00115	6	74 20 508 647	294.018	00095	4
56 00 594 918	<b>194.905</b>	00130	6	56 00 664 966	294.004	00085	6	74 20 531 033	175.326	00110	10
56 00 594 918	<b>194.905</b>	00140	6	56 00 664 966	294.004	00115	6	74 20 546 068	194.976	00110	5
56 00 594 918	<b>194.905</b>	00150	6	56 00 664 967	294.003	00085	6	74 20 568 621	298.119	00095	10
56 00 594 919	<b>194.908</b>	00070	6	56 00 664 967	294.003	00115	6	74 20 582 548	130.755	00095	8
56 00 594 919	<b>194.908</b>	00080	6	56 00 664 968	294.002	00085	6	74 20 582 548	130.755	00110	9
56 00 594 919	<b>194.908</b>	00090	6	56 00 664 968	294.002	00115	6	74 20 582 549	130.754	00095	14
56 00 594 919	<b>194.908</b>	00120	6	56 00 664 969	294.001	00085	6	74 20 582 549	130.754	00110	16
56 00 594 919	<b>194.908</b>	00130	6	56 00 664 969	294.001	00115	6	74 20 584 009	298.118	00095	12
56 00 594 919	<b>194.908</b>	00140	6	56 00 664 970	194.999	00085	6	74 20 593 224	294.019	00095	4
56 00 594 919	<b>194.908</b>	00150	6	56 00 664 970	194.999	00115	6	74 20 701 293	280.686	00110	1

Date

06 / 2008

Table

Index



# CEI Index

CEI no.	R.V.I. no.	Tab.	Fig.	CEI no.	R.V.I. no.	Tab.	Fig.	CEI no.	R.V.I. no.	Tab.	Fig.
103.189	50 00 673 029	0010	17	117.393	50 10 443 950	0130	32	130.526	50 10 242 776	0020	40
103.189	50 00 673 029	0020	29	117.393	50 10 443 950	0140	32	130.708	50 10 241 401	0100	6
105.180	CEI 105180	0010	26	117.393	50 10 443 950	0150	32	130.709	50 10 319 751	0100	10
105.181	50 00 653 878	0010	26	122.157	50 10 534 840	0045	13	130.711	50 10 534 617	0100	25
105.182	50 00 690 034	0010	27	123.263	50 00 655 329	0015	7	130.712	50 10 534 616	0100	17
105.207	50 00 682 099	0030	4	123.263	50 00 655 329	0025	7	130.734	50 00 682 113	0030	3
105.208	50 10 534 620	0040	6	128.202	50 00 655 504	0010	23	130.735	50 00 685 837	0030	5
105.208	50 10 534 620	0060	6	128.203	50 10 372 349	0010	23	130.736	50 00 788 402	0030	7
105.209	50 10 319 148	0050	6	128.204	50 00 655 781	0020	35	130.736	50 00 788 402	0040	15
105.213	50 10 534 575	0045	6	128.205	50 00 655 779	0020	39	130.736	50 00 788 402	0050	15
107.142	50 00 653 932	0015	3	130.299	50 10 241 406	0100	12	130.736	50 00 788 402	0060	15
107.142	50 00 653 932	0025	3	130.371	50 10 242 778	0010	20	130.737	50 10 319 374	0030	11
107.199	50 00 655 313	0010	44	130.371	50 10 242 778	0020	32	130.738	00 23 336 871	0030	13
107.199	50 00 655 313	0020	60	130.372	50 03 090 113	0010	45	130.739	50 00 785 250	0030	15
107.200	50 00 655 684	0015	3	130.372	50 03 090 113	0020	61	130.739	50 00 785 250	0040	22
107.200	50 00 655 684	0025	3	130.373	00 23 351 022	0015	1	130.739	50 00 785 250	0050	22
109.142	50 00 673 089	0020	12	130.373	00 23 351 022	0025	1	130.739	50 00 785 250	0060	22
109.143	50 00 653 868	0015	13A	130.374	50 10 372 463	0015	10	130.739	50 00 785 250	0070	7
109.143	50 00 653 868	0015	13A	130.374	50 10 372 463	0015	10	130.739	50 00 785 250	0080	7
109.143	50 00 653 868	0025	13A	130.374	50 10 372 463	0025	10	130.739	50 00 785 250	0090	7
109.143	50 00 653 868	0025	13A	130.374	50 10 372 463	0025	10	130.739	50 00 785 250	0120	7
109.363	50 00 669 304	0015	13A	130.375	50 10 372 461	0015	15	130.739	50 00 785 250	0130	7
109.363	50 00 669 304	0025	13A	130.375	50 10 372 461	0015	15	130.739	50 00 785 250	0140	7
109.387	50 00 673 556	0015	13B	130.375	50 10 372 461	0025	15	130.739	50 00 785 250	0150	7
109.387	50 00 673 556	0025	13B	130.375	50 10 372 461	0025	15	130.740	50 10 241 094	0030	17
109.388	50 00 673 549	0015	13B	130.376	50 00 690 022	0020	2	130.740	50 10 241 094	0040	34
109.388	50 00 673 549	0015	13B	130.377	50 00 690 024	0020	7	130.740	50 10 241 094	0050	34
109.388	50 00 673 549	0025	13B	130.378	50 00 690 023	0020	37	130.740	50 10 241 094	0060	34
109.388	50 00 673 549	0025	13B	130.520	50 10 242 774	0010	1	130.740	50 10 241 094	0070	9
111.263	50 00 673 373	0015	9	130.520	50 10 242 774	0020	13	130.740	50 10 241 094	0080	9
111.263	50 00 673 373	0025	9	130.521	50 10 242 777	0010	5	130.740	50 10 241 094	0090	9
111.268	77 03 066 096	0100	14	130.521	50 10 242 777	0020	17	130.740	50 10 241 094	0120	9
117.390	50 00 671 808	0030	6	130.522	00 23 336 288	0010	43	130.740	50 10 241 094	0130	9
117.391	50 00 682 329	0030	8	130.522	00 23 336 288	0020	59	130.740	50 10 241 094	0140	9
117.392	50 05 010 002	0040	11	130.523	50 10 372 462	0015	10	130.740	50 10 241 094	0150	9
117.392	50 05 010 002	0045	12	130.523	50 10 372 462	0025	10	130.741	50 10 534 822	0030	26
117.392	50 05 010 002	0050	11	130.524	50 10 372 460	0015	15	130.741	50 10 534 822	0040	25
117.392	50 05 010 002	0060	11	130.524	50 10 372 460	0025	15	130.741	50 10 534 822	0050	25
117.393	50 10 443 950	0040	41	130.525	50 10 242 775	0010	39	130.741	50 10 534 822	0060	25
117.393	50 10 443 950	0050	43	130.525	50 10 242 775	0010	51	130.741	50 10 534 822	0070	18
117.393	50 10 443 950	0060	41	130.525	50 10 242 775	0020	55	130.741	50 10 534 822	0080	18
117.393	50 10 443 950	0090	24	130.525	50 10 242 775	0020	67	130.741	50 10 534 822	0085	17
117.393	50 10 443 950	0115	32	130.526	50 10 242 776	0010	24	130.741	50 10 534 822	0090	18

Date

06 / 2008

Table

Index



CEI no.	R.V.I. no.	Tab.	Fig.	CEI no.	R.V.I. no.	Tab.	Fig.	CEI no.	R.V.I. no.	Tab.	Fig.
130.741	50 10 534 822	0120	18	130.762	50 10 534 836	0115	9	<b>137.121</b>	50 00 786 301	0025	5
130.741	50 10 534 822	0130	18	130.763	74 20 438 753	0095	5	137.252	50 03 090 110	0010	9
130.741	50 10 534 822	0140	18	133.029	00 00 192 766	0090	28	137.252	50 03 090 110	0020	21
130.741	50 10 534 822	0150	18	<b>133.159</b>	50 10 534 984	0100	21	137.253	50 03 090 112	0010	10
130.742	50 10 439 065	0040	3	133.163	50 10 534 983	0030	22	137.253	50 03 090 112	0020	22
130.742	50 10 439 065	0045	3	133.163	50 10 534 983	0040	29	137.254	50 00 673 420	0010	36
130.742	50 10 439 065	0060	3	133.163	50 10 534 983	0045	29	137.254	50 00 673 420	0020	52
130.743	50 10 319 917	0040	8	133.163	50 10 534 983	0050	29	137.255	50 03 090 114	0010	50
130.743	50 10 319 917	0060	8	133.163	50 10 534 983	0060	29	137.255	50 03 090 114	0020	66
130.744	50 10 534 744	0040	13	133.163	50 10 534 983	0070	15	137.256	50 10 242 418	0020	4
130.744	50 10 534 744	0045	39	133.163	50 10 534 983	0080	15	139.225	09 48 360 986	0090	32
130.744	50 10 534 744	0060	13	133.163	50 10 534 983	0085	15	139.459	50 00 790 853	0010	4
130.745	50 00 682 795	0040	19	133.163	50 10 534 983	0090	15	139.459	50 00 790 853	0020	16
130.745	50 00 682 795	0045	21	133.163	50 10 534 983	0115	14	<b>139.758</b>	50 10 534 863	0085	3
130.745	50 00 682 795	0050	20	133.163	50 10 534 983	0120	15	<b>139.758</b>	50 10 534 863	0100	5
130.745	50 00 682 795	0060	20	133.163	50 10 534 983	0130	15	<b>139.758</b>	50 10 534 863	0115	3
130.745	50 00 682 795	0070	4	133.163	50 10 534 983	0140	15	<b>139.758</b>	50 10 534 863	0120	3
130.745	50 00 682 795	0080	4	133.163	50 10 534 983	0150	15	<b>139.758</b>	50 10 534 863	0130	3
130.745	50 00 682 795	0085	4	<b>133.164</b>	50 10 534 636	0050	10	<b>139.758</b>	50 10 534 863	0140	3
130.745	50 00 682 795	0090	4	<b>133.164</b>	50 10 534 636	0060	10	<b>139.758</b>	50 10 534 863	0150	3
130.745	50 00 682 795	0115	4	133.165	50 10 534 227	0040	10	139.770	50 10 534 863	0070	3
130.745	50 00 682 795	0120	4	133.166	50 10 534 987	0040	39	139.770	50 10 534 863	0080	3
130.745	50 00 682 795	0130	4	133.166	50 10 534 987	0045	41	139.770	50 10 534 863	0090	3
130.745	50 00 682 795	0140	4	133.166	50 10 534 987	0050	39	<b>141.139</b>	50 00 690 181	0010	35
130.745	50 00 682 795	0150	4	133.166	50 10 534 987	0060	39	<b>141.139</b>	50 00 690 181	0020	51
130.746	00 23 336 872	0050	3	133.166	50 10 534 987	0080	22	<b>141.150</b>	50 00 655 516	0010	15
130.747	50 00 685 990	0050	8	133.166	50 10 534 987	0085	23	<b>141.150</b>	50 00 655 516	0020	9
130.748	50 00 788 406	0050	13	133.166	50 10 534 987	0090	28	<b>141.150</b>	50 00 655 516	0020	27
130.754	74 20 582 549	0095	14	133.166	50 10 534 987	0115	23	<b>141.151</b>	50 00 655 517	0010	11
130.754	74 20 582 549	0110	16	133.166	50 10 534 987	0130	23	<b>141.151</b>	50 00 655 517	0020	23
130.755	74 20 582 548	0095	8	133.166	50 10 534 987	0140	23	<b>141.152</b>	50 00 690 191	0015	18
130.755	74 20 582 548	0110	9	133.166	50 10 534 987	0150	23	<b>141.152</b>	50 00 690 191	0025	18
130.756	74 20 366 533	0110	6	133.167	50 00 664 943	0050	39	141.189	50 00 690 012	0010	12
130.757	50 10 534 808	0045	8	133.167	50 00 664 943	0060	39	141.189	50 00 690 012	0020	24
130.758	50 10 534 810	0045	17	133.167	50 00 664 943	0090	21	141.190	50 00 690 011	0010	16
130.759	50 10 534 823	0045	23	133.167	50 00 664 943	0115	29	141.190	50 00 690 011	0020	28
130.759	50 10 534 823	0085	7	133.167	50 00 664 943	0130	29	141.191	50 10 242 718	0010	53
130.759	50 10 534 823	0115	7	133.167	50 00 664 943	0140	29	141.191	50 10 242 718	0020	69
130.760	50 10 241 096	0045	26	133.167	50 00 664 943	0150	29	141.192	50 00 655 384	0015	19
130.760	50 10 241 096	0085	17	133.168	74 08 171 092	0110	12	141.192	50 00 655 384	0025	19
130.760	50 10 241 096	0115	17	133.169	50 10 534 687	0045	11	141.193	50 00 655 786	0020	10
130.761	00 23 336 044	0045	34	133.170	74 08 172 910	0095	11	141.212	50 10 319 824	0040	5
130.762	50 10 534 836	0085	9	<b>137.121</b>	50 00 786 301	0015	5	141.212	50 10 319 824	0045	5

All original equipment manufacturers numbers, symbols, pictures, models and description used in this catalogue are for reference only, and it is not implied that any part listed is the product of these manufactures.  
Tutti i nostri particolari non sono originali ma con essi intercambiabili. I riferimenti originali, le figure, i modelli sono esposti a semplice titolo indicativo. La nostra produzione riporta il nostro marchio.

Date

06 / 2008

Table

Index

# CEI Index

CEI no.	R.V.I. no.	Tab.	Fig.	CEI no.	R.V.I. no.	Tab.	Fig.	CEI no.	R.V.I. no.	Tab.	Fig.
141.212	50 10 319 824	0060	5	154.401	50 00 671 457	0030	27	157.229	50 00 655 323	0020	63
141.213	50 00 664 273	0050	5	154.401	50 00 671 457	0040	23	157.657	50 00 673 077	0010	21
143.080	50 00 673 219	0010	37	154.401	50 00 671 457	0045	24	157.657	50 00 673 077	0020	33
143.080	50 00 673 219	0020	53	154.401	50 00 671 457	0050	23	169.707	50 00 655 576	0015	4
143.081	50 00 673 266	0010	37	154.401	50 00 671 457	0060	23	169.707	50 00 655 576	0025	4
143.081	50 00 673 266	0020	53	154.401	50 00 671 457	0070	19	169.992	50 10 319 478	0100	22
143.083	50 10 242 997	0010	38	154.401	50 00 671 457	0080	19	169.993	50 10 319 562	0100	20
143.083	50 10 242 997	0020	54	154.401	50 00 671 457	0085	19	169.999	50 00 655 564	0010	33
145.441	50 00 673 911	0020	3	154.401	50 00 671 457	0090	19	170.219	50 10 319 632	0100	35
145.442	50 00 673 690	0010	13	154.401	50 00 671 457	0115	19	170.220	50 10 319 631	0100	36
145.442	50 00 673 690	0020	25	154.401	50 00 671 457	0120	19	170.223	50 00 675 990	0050	36
145.443	50 00 673 691	0010	19	154.401	50 00 671 457	0130	19	170.223	50 00 675 990	0090	34
145.443	50 00 673 691	0020	31	154.401	50 00 671 457	0140	19	170.223	50 00 675 990	0120	21
145.732	50 00 673 027	0010	6	154.401	50 00 671 457	0150	19	170.223	50 00 675 990	0130	21
145.732	50 00 673 027	0020	18	154.402	50 10 319 821	0040	4	170.223	50 00 675 990	0140	21
145.804	50 00 653 714	0010	13	154.402	50 10 319 821	0045	4	170.223	50 00 675 990	0150	21
145.805	50 00 653 859	0010	13	154.402	50 10 319 821	0060	4	170.232	50 10 534 082	0030	28
145.805	50 00 653 859	0020	25	154.403	50 00 664 260	0050	4	170.232	50 10 534 082	0040	35
145.806	50 00 653 713	0010	19	154.404	74 01 522 099	0110	17	170.232	50 10 534 082	0050	35
145.807	50 00 653 860	0010	19	155.222	50 10 242 535	0015	16	170.232	50 10 534 082	0060	35
145.807	50 00 653 860	0020	31	155.222	50 10 242 535	0025	16	170.233	50 00 675 802	0030	28
145.949	50 10 534 684	0045	9	155.223	50 10 242 536	0015	16	170.233	50 00 675 802	0040	35
146.349	50 00 673 698	0010	25	155.223	50 10 242 536	0025	16	170.233	50 00 675 802	0050	35
146.349	50 00 673 698	0020	41	155.224	50 10 242 540	0015	16	170.233	50 00 675 802	0060	35
146.350	50 00 673 912	0020	38	155.224	50 10 242 540	0015	16	170.233	50 00 675 802	0120	20
146.575	50 00 653 709	0010	49	155.224	50 10 242 540	0025	16	170.233	50 00 675 802	0130	20
146.576	50 00 653 876	0010	49	155.224	50 10 242 540	0025	16	170.233	50 00 675 802	0140	20
146.576	50 00 653 876	0010	49	155.225	50 10 242 541	0015	16	170.233	50 00 675 802	0150	20
146.576	50 00 653 876	0020	65	155.225	50 10 242 541	0015	16	170.234	50 10 534 077	0030	29
146.640	50 10 319 275	0030	12	155.225	50 10 242 541	0025	16	170.234	50 10 534 077	0040	36
146.641	50 10 319 814	0040	20	155.225	50 10 242 541	0025	16	170.234	50 10 534 077	0060	36
146.641	50 10 319 814	0060	19	155.228	50 10 319 125	0040	2	170.235	50 00 675 796	0030	29
146.642	50 00 664 246	0050	19	155.228	50 10 319 125	0060	2	170.235	50 00 675 796	0040	36
146.643	50 10 534 685	0045	20	155.228	50 10 319 125	0100	4	170.235	50 00 675 796	0060	36
147.217	50 00 653 710	0010	46	156.187	50 00 655 590	0010	28	170.236	50 10 319 579	0030	9
147.218	50 00 653 874	0010	46	156.187	50 00 655 590	0020	44	170.237	50 10 319 798	0040	14
147.218	50 00 653 874	0010	46	156.188	50 00 673 278	0010	28	170.237	50 10 319 798	0060	14
147.218	50 00 653 874	0020	62	156.188	50 00 673 278	0020	44	170.238	50 10 319 216	0050	14
150.162	50 00 655 330	0015	8	157.163	50 00 673 275	0010	30	170.239	50 00 682 748	0050	35
150.162	50 00 655 330	0025	8	157.163	50 00 673 275	0020	46	170.239	50 00 682 748	0090	33
154.359	50 00 653 875	0010	48	157.164	50 00 673 078	0015	6	170.239	50 00 682 748	0120	20
154.359	50 00 653 875	0020	64	157.164	50 00 673 078	0025	6	170.239	50 00 682 748	0130	20
154.376	50 10 241 948	0100	28	157.229	50 00 655 323	0010	47	170.239	50 00 682 748	0140	20

Date

06 / 2008

Table

Index

CEI no.	R.V.I. no.	Tab.	Fig.	CEI no.	R.V.I. no.	Tab.	Fig.	CEI no.	R.V.I. no.	Tab.	Fig.
170.239	50 00 682 748	0150	20	170.259	50 10 319 669	0090	36	175.295	50 10 534 112	0080	12
170.240	50 10 534 092	0050	35	170.260	50 10 319 666	0090	36	175.295	50 10 534 112	0090	12
170.240	50 10 534 092	0090	33	170.261	74 08 172 096	0110	18	175.295	50 10 534 112	0120	12
170.240	50 10 534 092	0120	20	170.262	74 08 172 097	0110	19	175.295	50 10 534 112	0130	12
170.240	50 10 534 092	0130	20	170.263	50 00 682 747	0140	20	175.295	50 10 534 112	0140	12
170.241	50 10 534 422	0050	35	170.263	50 00 682 747	0150	20	175.295	50 10 534 112	0150	12
170.241	50 10 534 422	0120	20	170.264	50 00 675 799	0140	20	175.296	50 10 319 615	0100	24
170.241	50 10 534 422	0130	20	170.264	50 00 675 799	0150	20	175.297	50 10 319 613	0100	19
170.242	50 10 534 086	0050	36	170.265	50 10 534 583	0045	16	175.298	50 10 534 102	0100	34
170.242	50 10 534 086	0085	21	170.266	50 10 534 870	0045	37	175.299	50 10 534 101	0100	33
170.242	50 10 534 086	0115	21	170.267	50 10 534 871	0045	38	175.300	50 10 534 728	0100	34
170.242	50 10 534 086	0120	21	170.268	50 10 534 872	0085	20	175.301	50 10 319 040	0100	7
170.242	50 10 534 086	0130	21	170.268	50 10 534 872	0115	20	175.305	50 10 534 110	0040	31
170.243	50 00 675 838	0050	36	170.269	74 20 734 795	0095	15	175.305	50 10 534 110	0050	31
170.243	50 00 675 838	0060	36	170.270	74 20 734 793	0095	16	175.305	50 10 534 110	0060	31
170.243	50 00 675 838	0090	34	170.271	50 10 534 362	0115	20	175.305	50 10 534 110	0070	12
170.243	50 00 675 838	0120	21	170.272	50 10 534 360	0115	21	175.305	50 10 534 110	0080	12
170.243	50 00 675 838	0130	21	171.060	09 79 100 600	0010	29	175.305	50 10 534 110	0090	12
170.243	50 00 675 838	0140	21	171.060	09 79 100 600	0010	29	175.305	50 10 534 110	0120	12
170.243	50 00 675 838	0150	21	171.060	09 79 100 600	0020	45	175.305	50 10 534 110	0130	12
170.244	50 10 534 085	0050	36	171.060	09 79 100 600	0020	45	175.305	50 10 534 110	0140	12
170.244	50 10 534 085	0060	36	171.066	50 00 787 718	0040	40	175.305	50 10 534 110	0150	12
170.244	50 10 534 085	0090	34	171.066	50 00 787 718	0045	43	175.306	50 10 534 113	0030	25
170.245	50 10 534 421	0050	36	171.066	50 00 787 718	0050	40	175.306	50 10 534 113	0040	26
170.245	50 10 534 421	0120	21	171.066	50 00 787 718	0060	40	175.306	50 10 534 113	0050	26
170.245	50 10 534 421	0130	21	171.066	50 00 787 718	0080	23	175.306	50 10 534 113	0060	26
170.246	50 00 675 801	0070	20	171.066	50 00 787 718	0085	25	175.306	50 10 534 113	0070	17
170.246	50 00 675 801	0080	26	171.066	50 00 787 718	0090	30	175.306	50 10 534 113	0080	17
170.247	50 10 534 081	0070	20	171.066	50 00 787 718	0115	25	175.306	50 10 534 113	0085	16
170.247	50 10 534 081	0080	26	171.066	50 00 787 718	0130	25	175.306	50 10 534 113	0090	17
170.248	50 00 675 803	0070	21	171.066	50 00 787 718	0140	25	175.306	50 10 534 113	0115	16
170.248	50 00 675 803	0080	27	171.066	50 00 787 718	0150	25	175.306	50 10 534 113	0120	17
170.249	50 10 534 083	0070	21	171.067	50 10 443 948	0050	40	175.306	50 10 534 113	0130	17
170.249	50 10 534 083	0080	27	171.067	50 10 443 948	0060	40	175.306	50 10 534 113	0140	17
170.250	50 00 675 791	0090	33	171.067	50 10 443 948	0090	23	175.306	50 10 534 113	0150	17
170.251	50 00 675 790	0090	33	171.067	50 10 443 948	0115	31	175.307	50 10 534 111	0030	20
170.252	50 00 675 800	0090	33	171.067	50 10 443 948	0130	31	175.307	50 10 534 111	0040	31
170.253	50 00 675 798	0090	33	171.067	50 10 443 948	0140	31	175.307	50 10 534 111	0050	31
170.254	50 00 682 524	0090	34	171.067	50 10 443 948	0150	31	175.307	50 10 534 111	0060	31
170.255	50 10 319 665	0090	35	175.295	50 10 534 112	0040	31	175.307	50 10 534 111	0070	12
170.256	50 10 319 664	0090	35	175.295	50 10 534 112	0050	31	175.307	50 10 534 111	0080	12
170.257	50 10 319 667	0090	35	175.295	50 10 534 112	0060	31	175.307	50 10 534 111	0090	12
170.258	50 10 319 668	0090	35	175.295	50 10 534 112	0070	12	175.307	50 10 534 111	0120	12

All original equipment manufacturers numbers, symbols, pictures, models and description used in this catalogue are for reference only, and it is not implied that any part listed is the product of these manufactures.  
Tutti i nostri particolari non sono originali ma con essi intercambiabili. I riferimenti originali, le figure, i modelli sono esposti a semplice titolo indicativo. La nostra produzione riporta il nostro marchio.

# CEI Index

CEI no.	R.V.I. no.	Tab.	Fig.	CEI no.	R.V.I. no.	Tab.	Fig.	CEI no.	R.V.I. no.	Tab.	Fig.
175.307	50 10 534 111	0130	12	175.334	50 10 534 804	0085	5	187.724	50 10 241 239	0060	1
175.307	50 10 534 111	0140	12	175.334	50 10 534 804	0115	5	187.724	50 10 241 239	0100	2
175.307	50 10 534 111	0150	12	175.335	50 10 534 353	0085	11	187.727	50 00 671 332	0030	19
175.312	50 10 611 078	0040	9	175.335	50 10 534 353	0115	11	187.727	50 00 671 332	0040	33
175.312	50 10 611 078	0050	9	175.336	50 10 534 354	0085	11	187.727	50 00 671 332	0045	35
175.312	50 10 611 078	0060	9	175.336	50 10 534 354	0115	11	187.727	50 00 671 332	0050	33
175.314	50 00 664 413	0040	37	175.337	50 10 534 355	0085	11	187.727	50 00 671 332	0060	33
175.314	50 00 664 413	0045	40	175.337	50 10 534 355	0115	11	187.727	50 00 671 332	0070	11
175.314	50 00 664 413	0060	37	175.338	50 10 534 352	0085	11	187.727	50 00 671 332	0080	11
175.314	50 00 664 413	0085	22	175.338	50 10 534 352	0115	11	187.727	50 00 671 332	0090	11
175.314	50 00 664 413	0115	22	175.339	50 10 534 357	0085	16	187.727	50 00 671 332	0120	11
175.315	50 00 675 811	0050	37	175.339	50 10 534 357	0115	16	187.727	50 00 671 332	0130	11
175.315	50 00 675 811	0080	20	175.340	74 08 172 960	0095	3	187.727	50 00 671 332	0140	11
175.315	50 00 675 811	0090	27	175.341	74 08 172 958	0095	9	187.727	50 00 671 332	0150	11
175.315	50 00 675 811	0130	22	175.342	74 08 172 959	0095	13	187.729	50 10 241 945	0100	26
175.315	50 00 675 811	0140	22	175.343	50 10 534 834	0045	27	187.730	50 00 695 135	0100	27
175.315	50 00 675 811	0150	22	175.344	50 10 534 833	0045	27	187.731	50 10 319 133	0100	18
175.316	50 10 319 268	0050	37	175.345	50 10 534 831	0045	27	187.732	50 10 241 210	0100	16
175.316	50 10 319 268	0060	37	175.346	50 10 534 830	0045	32	187.745	50 00 664 855	0030	16
175.316	50 10 319 268	0090	20	182.113	50 10 534 688	0045	14	187.745	50 00 664 855	0040	24
175.316	50 10 319 268	0115	28	187.555	50 00 673 341	0010	40	187.745	50 00 664 855	0050	24
175.316	50 10 319 268	0130	28	187.555	50 00 673 341	0010	52	187.745	50 00 664 855	0060	24
175.316	50 10 319 268	0140	28	187.555	50 00 673 341	0020	36	187.745	50 00 664 855	0070	8
175.316	50 10 319 268	0150	28	187.555	50 00 673 341	0020	56	187.745	50 00 664 855	0080	8
175.317	50 00 675 546	0070	5	187.555	50 00 673 341	0020	68	187.745	50 00 664 855	0090	8
175.317	50 00 675 546	0080	5	187.556	50 10 372 353	0010	22	187.745	50 00 664 855	0120	8
175.317	50 00 675 546	0090	5	187.556	50 10 372 353	0015	17	187.745	50 00 664 855	0130	8
175.317	50 00 675 546	0120	5	187.556	50 10 372 353	0020	11	187.745	50 00 664 855	0140	8
175.317	50 00 675 546	0130	5	187.556	50 10 372 353	0020	34	187.745	50 00 664 855	0150	8
175.317	50 00 675 546	0140	5	187.556	50 10 372 353	0025	17	187.746	50 00 682 326	0030	18
175.317	50 00 675 546	0150	5	187.556	50 10 372 353	0030	10	187.746	50 00 682 326	0040	32
175.318	50 00 675 727	0090	5	187.556	50 10 372 353	0040	18	187.746	50 00 682 326	0050	32
175.319	50 10 319 269	0090	27	187.715	50 00 655 547	0015	14	187.746	50 00 682 326	0060	32
175.322	50 10 319 614	0100	24	187.715	50 00 655 547	0025	14	187.746	50 00 682 326	0070	10
175.323	74 20 366 531	0110	15	187.716	50 10 372 201	0015	17	187.746	50 00 682 326	0080	10
175.324	74 08 171 098	0110	10	187.716	50 10 372 201	0015	17	187.746	50 00 682 326	0090	10
175.325	74 08 171 097	0110	10	187.716	50 10 372 201	0025	17	187.746	50 00 682 326	0120	10
175.326	74 20 531 033	0110	10	187.716	50 10 372 201	0025	17	187.746	50 00 682 326	0130	10
175.327	74 20 366 532	0110	4	187.716	50 10 372 201	0030	1	187.746	50 00 682 326	0140	10
175.330	50 10 534 686	0045	10	187.716	50 10 372 201	0050	1	187.746	50 00 682 326	0150	10
175.331	50 10 534 807	0045	18	187.717	50 10 372 345	0020	1	188.143	50 00 655 482	0010	3
175.332	50 10 534 832	0045	27	187.724	50 10 241 239	0040	1	188.143	50 00 655 482	0020	15
175.333	50 10 534 829	0045	32	187.724	50 10 241 239	0045	1	188.144	50 00 655 480	0010	18

Date

06 / 2008

Table

Index



CEI no.	R.V.I. no.	Tab.	Fig.	CEI no.	R.V.I. no.	Tab.	Fig.	CEI no.	R.V.I. no.	Tab.	Fig.
188.144	50 00 655 480	0020	6	<b>194.840</b>	56 00 594 914	0070	6	<b>194.909</b>	56 00 594 912	0150	6
188.144	50 00 655 480	0020	30	<b>194.840</b>	56 00 594 914	0080	6	194.910	56 00 594 910	0070	6
189.626	50 00 655 418	0015	23	<b>194.840</b>	56 00 594 914	0090	6	194.910	56 00 594 910	0080	6
189.626	50 00 655 418	0025	23	<b>194.840</b>	56 00 594 914	0120	6	194.910	56 00 594 910	0090	6
189.627	50 01 846 323	0015	24	<b>194.840</b>	56 00 594 914	0130	6	194.910	56 00 594 910	0120	6
189.627	50 01 846 323	0025	24	<b>194.840</b>	56 00 594 914	0140	6	194.910	56 00 594 910	0130	6
189.628	50 10 372 044	0015	24	<b>194.840</b>	56 00 594 914	0150	6	194.910	56 00 594 910	0140	6
189.628	50 10 372 044	0025	24	<b>194.896</b>	74 20 366 524	0110	5	194.910	56 00 594 910	0150	6
190.245	50 00 673 117	0020	5	194.897	74 85 102 436	0110	5	<b>194.911</b>	56 00 594 915	0070	6
<b>190.246</b>	50 00 673 696	0020	14	<b>194.905</b>	56 00 594 918	0070	6	<b>194.911</b>	56 00 594 915	0080	6
<b>190.247</b>	50 00 673 694	0010	2	<b>194.905</b>	56 00 594 918	0080	6	<b>194.911</b>	56 00 594 915	0090	6
190.266	56 00 106 749	0020	42	<b>194.905</b>	56 00 594 918	0090	6	<b>194.911</b>	56 00 594 915	0120	6
190.369	50 00 653 716	0010	2	<b>194.905</b>	56 00 594 918	0120	6	<b>194.911</b>	56 00 594 915	0130	6
190.370	50 00 653 856	0010	2	<b>194.905</b>	56 00 594 918	0130	6	<b>194.911</b>	56 00 594 915	0140	6
190.371	50 00 673 991	0010	2	<b>194.905</b>	56 00 594 918	0140	6	<b>194.911</b>	56 00 594 915	0150	6
190.372	50 00 653 988	0015	2	<b>194.905</b>	56 00 594 918	0150	6	<b>194.915</b>	56 00 594 920	0070	6
190.372	50 00 653 988	0025	2	<b>194.906</b>	56 00 594 916	0070	6	<b>194.915</b>	56 00 594 920	0080	6
190.373	50 00 673 139	0015	2	<b>194.906</b>	56 00 594 916	0080	6	<b>194.915</b>	56 00 594 920	0090	6
190.373	50 00 673 139	0025	2	<b>194.906</b>	56 00 594 916	0090	6	<b>194.915</b>	56 00 594 920	0120	6
190.374	50 10 242 741	0015	2	<b>194.906</b>	56 00 594 916	0120	6	<b>194.915</b>	56 00 594 920	0130	6
190.374	50 10 242 741	0025	2	<b>194.906</b>	56 00 594 916	0130	6	<b>194.915</b>	56 00 594 920	0140	6
190.375	50 00 673 054	0015	2	<b>194.906</b>	56 00 594 916	0140	6	<b>194.915</b>	56 00 594 920	0150	
190.375	50 00 673 054	0025	2	<b>194.906</b>	56 00 594 916	0150	6	194.916	56 00 594 911	0070	6
190.376	50 10 372 327	0020	5	<b>194.907</b>	56 00 594 917	0070	6	194.916	56 00 594 911	0080	6
190.377	50 00 669 277	0020	14	<b>194.907</b>	56 00 594 917	0080	6	194.916	56 00 594 911	0090	6
190.379	50 00 690 035	0020	43	<b>194.907</b>	56 00 594 917	0090	6	194.916	56 00 594 911	0120	6
<b>194.597</b>	56 00 584 855	0100	11	<b>194.907</b>	56 00 594 917	0120	6	194.916	56 00 594 911	0130	6
<b>194.667</b>	56 00 584 421	0070	6	<b>194.907</b>	56 00 594 917	0130	6	194.916	56 00 594 911	0140	6
<b>194.667</b>	56 00 584 421	0080	6	<b>194.907</b>	56 00 594 917	0140	6	194.916	56 00 594 911	0150	6
<b>194.667</b>	56 00 584 421	0090	6	<b>194.907</b>	56 00 594 917	0150	6	<b>194.917</b>	56 00 594 913	0070	6
<b>194.667</b>	56 00 584 421	0120	6	<b>194.908</b>	56 00 594 919	0070	6	<b>194.917</b>	56 00 594 913	0080	6
<b>194.667</b>	56 00 584 421	0130	6	<b>194.908</b>	56 00 594 919	0080	6	<b>194.917</b>	56 00 594 913	0090	6
<b>194.667</b>	56 00 584 421	0140	6	<b>194.908</b>	56 00 594 919	0090	6	<b>194.917</b>	56 00 594 913	0120	6
<b>194.667</b>	56 00 584 421	0150	6	<b>194.908</b>	56 00 594 919	0120	6	<b>194.917</b>	56 00 594 913	0130	6
<b>194.670</b>	56 00 594 924	0100	11	<b>194.908</b>	56 00 594 919	0130	6	<b>194.917</b>	56 00 594 913	0140	6
<b>194.671</b>	56 00 594 926	0100	11	<b>194.908</b>	56 00 594 919	0140	6	<b>194.917</b>	56 00 594 913	0150	6
<b>194.672</b>	56 00 584 418	0100	11	<b>194.908</b>	56 00 594 919	0150	6	194.946	50 00 675 752	0030	14
<b>194.673</b>	56 00 594 921	0100	11	<b>194.909</b>	56 00 594 912	0070	6	194.947	50 00 675 755	0030	14
<b>194.674</b>	56 00 594 923	0100	11	<b>194.909</b>	56 00 594 912	0080	6	194.948	50 00 675 758	0030	14
<b>194.675</b>	56 00 594 925	0100	11	<b>194.909</b>	56 00 594 912	0090	6	194.949	50 00 675 723	0030	14
<b>194.676</b>	56 00 584 417	0100	11	<b>194.909</b>	56 00 594 912	0120	6	194.950	50 10 443 560	0040	21
194.839	50 10 443 562	0040	21	<b>194.909</b>	56 00 594 912	0130	6	194.950	50 10 443 560	0060	21
194.839	50 10 443 562	0060	21	<b>194.909</b>	56 00 594 912	0140	6	194.951	50 10 443 787	0040	21

Date

06 / 2008

Table

Index

All original equipment manufacturers numbers, symbols, pictures, models and description used in this catalogue are for reference only, and it is not implied that any part listed is the product of these manufacturers. Tutti i nostri particolari non sono originali ma con essi intercambiabili. I riferimenti originali, le figure, i modelli sono esposti a semplice titolo indicativo. La nostra produzione riporta il nostro marchio.

# CEI Index

CEI no.	R.V.I. no.	Tab.	Fig.	CEI no.	R.V.I. no.	Tab.	Fig.	CEI no.	R.V.I. no.	Tab.	Fig.
194.951	50 10 443 787	0060	21	194.974	56 00 594 908	0130	6	196.347	50 00 653 858	0010	8
194.952	50 10 443 558	0040	21	194.974	56 00 594 908	0140	6	196.347	50 00 653 858	0020	20
194.952	50 10 443 558	0060	21	194.974	56 00 594 908	0150	6	197.142	50 10 319 577	0030	2
194.953	50 10 443 865	0040	21	194.975	56 00 594 909	0090	6	197.143	50 10 443 703	0040	16
194.953	50 10 443 865	0060	21	194.976	74 20 546 068	0110	5	197.143	50 10 443 703	0060	16
194.954	50 10 443 869	0040	21	194.977	74 85 102 438	0110	5	197.144	50 00 685 869	0050	2
194.954	50 10 443 869	0060	21	194.978	74 85 102 439	0110	5	197.145	50 10 319 581	0050	16
194.955	50 10 443 564	0040	21	194.979	74 85 102 440	0110	5	197.146	50 10 241 998	0070	2
194.955	50 10 443 564	0060	21	194.980	74 85 102 441	0110	5	197.146	50 10 241 998	0080	2
194.956	50 10 443 581	0040	21	194.981	74 85 102 442	0110	5	197.146	50 10 241 998	0085	2
194.957	50 10 534 703	0050	21	194.984	50 10 534 538	0045	22	197.146	50 10 241 998	0090	2
194.958	50 00 682 307	0050	21	194.985	50 10 534 530	0045	22	197.146	50 10 241 998	0115	2
194.959	50 10 241 049	0050	21	194.986	50 10 534 534	0045	22	197.146	50 10 241 998	0120	2
194.960	50 00 682 301	0050	21	194.987	50 10 534 542	0045	22	197.146	50 10 241 998	0130	2
194.961	50 00 682 286	0050	21	194.988	50 10 534 546	0045	22	197.146	50 10 241 998	0140	2
194.962	50 00 682 280	0050	21	194.989	50 10 534 550	0045	22	197.146	50 10 241 998	0150	2
194.963	50 00 682 353	0050	21	194.990	50 10 534 554	0045	22	197.147	50 10 319 124	0100	3
194.964	50 00 682 274	0050	21	194.991	50 10 534 558	0045	22	197.148	74 20 366 546	0110	3
194.965	50 00 682 350	0050	21	194.992	50 10 534 562	0045	22	197.149	50 10 534 791	0045	2
194.966	50 00 682 265	0050	21	194.993	50 10 534 566	0045	22	197.150	74 20 832 467	0095	2
194.967	50 00 682 033	0050	21	194.994	50 10 534 518	0045	22	197.151	50 10 319 588	0115	2
194.968	50 10 534 022	0060	21	194.995	50 10 534 510	0045	22	<b>198.662</b>	50 00 690 124	0015	11
194.969	50 10 443 556	0060	21	194.996	50 10 534 514	0045	22	<b>198.662</b>	50 00 690 124	0025	11
194.970	50 10 443 551	0060	21	194.997	50 10 534 522	0045	22	<b>198.742</b>	CEI 198742	0015	26
194.971	50 10 319 912	0060	21	194.998	50 10 534 526	0045	22	<b>198.742</b>	CEI 198742	0025	26
194.972	56 00 594 907	0070	6	194.999	56 00 664 970	0085	6	<b>198.753</b>	50 00 793 762	0010	54
194.972	56 00 594 907	0080	6	194.999	56 00 664 970	0115	6	<b>198.753</b>	50 00 793 762	0015	27
194.972	56 00 594 907	0090	6	<b>196.203</b>	50 00 653 879	0010	31	<b>198.754</b>	50 00 793 763	0020	70
194.972	56 00 594 907	0120	6	<b>196.203</b>	50 00 653 879	0020	47	<b>198.754</b>	50 00 793 763	0025	27
194.972	56 00 594 907	0130	6	<b>196.204</b>	50 00 690 026	0015	12	<b>198.964</b>	50 01 854 473	0100	23
194.972	56 00 594 907	0140	6	<b>196.204</b>	50 00 690 026	0025	12	<b>199.254</b>	50 10 241 942	0100	15
194.972	56 00 594 907	0150	6	<b>196.218</b>	50 00 673 356	0020	8	199.268	74 20 366 530	0110	7
194.973	56 00 594 906	0070	6	<b>196.219</b>	50 00 673 429	0010	14	199.269	74 08 172 945	0095	6
194.973	56 00 594 906	0080	6	<b>196.219</b>	50 00 673 429	0020	26	269.001	50 00 673 226	0010	33
194.973	56 00 594 906	0090	6	<b>196.220</b>	50 00 673 430	0010	7	269.001	50 00 673 226	0020	49
194.973	56 00 594 906	0120	6	<b>196.220</b>	50 00 673 430	0020	19	269.002	50 00 673 279	0010	34
194.973	56 00 594 906	0130	6	<b>196.226</b>	50 00 690 174	0010	32	269.002	50 00 673 279	0020	50
194.973	56 00 594 906	0140	6	<b>196.226</b>	50 00 690 174	0020	48	<b>269.017</b>	50 10 534 114	0030	23
194.973	56 00 594 906	0150	6	<b>196.234</b>	50 00 673 692	0010	8	<b>269.017</b>	50 10 534 114	0040	28
194.974	56 00 594 908	0070	6	<b>196.234</b>	50 00 673 692	0020	20	<b>269.017</b>	50 10 534 114	0045	30
194.974	56 00 594 908	0080	6	196.278	50 00 673 267	0010	31	<b>269.017</b>	50 10 534 114	0050	28
194.974	56 00 594 908	0090	6	196.278	50 00 673 267	0020	47	<b>269.017</b>	50 10 534 114	0060	28
194.974	56 00 594 908	0120	6	196.346	50 00 653 797	0010	8	<b>269.017</b>	50 10 534 114	0070	16

Date

06 / 2008

Table

Index

CEI no.	R.V.I. no.	Tab.	Fig.	CEI no.	R.V.I. no.	Tab.	Fig.	CEI no.	R.V.I. no.	Tab.	Fig.
269.017	50 10 534 114	0080	16	269.090	50 10 319 505	0050	41	280.621	50 10 242 648	0025	20
269.017	50 10 534 114	0085	13	269.090	50 10 319 505	0060	42	280.622	50 00 850 271	0015	21
269.017	50 10 534 114	0090	16	269.090	50 10 319 505	0080	24	280.622	50 00 850 271	0025	21
269.017	50 10 534 114	0115	15	269.090	50 10 319 505	0085	26	280.623	56 00 106 884	0015	22
269.017	50 10 534 114	0120	16	269.090	50 10 319 505	0090	31	280.623	56 00 106 884	0025	22
269.017	50 10 534 114	0130	16	269.090	50 10 319 505	0115	26	280.624	50 01 823 541	0015	25
269.017	50 10 534 114	0140	16	269.090	50 10 319 505	0130	26	280.624	50 01 823 541	0025	25
269.017	50 10 534 114	0150	16	269.090	50 10 319 505	0140	26	280.633	56 00 584 810	0100	1
269.018	50 00 671 226	0030	21	269.090	50 10 319 505	0150	26	280.634	56 00 584 805	0100	1
269.018	50 00 671 226	0040	27	269.091	09 48 361 064	0040	43	280.635	56 00 584 811	0100	1
269.018	50 00 671 226	0045	28	269.091	09 48 361 064	0045	45	280.638	56 00 584 809	0100	1
269.018	50 00 671 226	0050	27	269.091	09 48 361 064	0050	42	280.640	56 00 584 808	0100	1
269.018	50 00 671 226	0060	27	269.091	09 48 361 064	0060	43	280.642	56 00 584 807	0100	1
269.018	50 00 671 226	0070	14	269.091	09 48 361 064	0080	25	280.643	56 00 584 806	0100	1
269.018	50 00 671 226	0080	14	269.091	09 48 361 064	0085	27	280.645	56 00 584 804	0100	1
269.018	50 00 671 226	0085	14	269.091	09 48 361 064	0090	32	280.686	74 20 701 293	0110	1
269.018	50 00 671 226	0090	14	269.091	09 48 361 064	0115	27	280.687	74 20 701 294	0110	1
269.018	50 00 671 226	0115	13	269.091	09 48 361 064	0130	27	280.688	74 20 701 295	0110	1
269.018	50 00 671 226	0120	14	269.091	09 48 361 064	0140	27	280.689	74 20 701 296	0110	1
269.018	50 00 671 226	0130	14	269.091	09 48 361 064	0150	27	280.690	74 20 701 297	0110	1
269.018	50 00 671 226	0140	14	269.092	50 10 319 517	0050	44	280.691	74 20 701 298	0110	1
269.018	50 00 671 226	0150	14	269.092	50 10 319 517	0060	42	280.692	74 20 701 299	0110	1
269.020	50 10 241 287	0100	9	269.092	50 10 319 517	0090	25	287.003	50 10 319 149	0040	17
269.021	50 10 241 288	0100	9	269.092	50 10 319 517	0115	33	287.003	50 10 319 149	0050	17
269.022	50 10 241 289	0100	9	269.092	50 10 319 517	0130	33	287.003	50 10 319 149	0060	17
269.023	50 10 319 042	0100	8	269.092	50 10 319 517	0140	33	287.004	50 00 664 043	0050	18
269.024	50 10 319 043	0100	8	269.092	50 10 319 517	0150	33	287.004	50 00 664 043	0060	18
269.025	CEI 269025	0100	8	269.093	50 03 065 128	0050	45	287.004	50 00 664 043	0070	1
269.026	CEI 269026	0100	9	269.093	50 03 065 128	0060	43	287.004	50 00 664 043	0080	1
269.027	CEI 269027	0100	9	269.093	50 03 065 128	0090	26	287.004	50 00 664 043	0090	1
269.030	50 10 319 102	0100	13	269.093	50 03 065 128	0115	34	287.004	50 00 664 043	0120	1
269.037	50 10 534 727	0100	31	269.093	50 03 065 128	0130	34	287.004	50 00 664 043	0130	1
269.048	50 10 319 562	0100	30	269.093	50 03 065 128	0140	34	287.004	50 00 664 043	0140	1
269.077	50 10 319 044	0100	8	269.093	50 03 065 128	0150	34	287.004	50 00 664 043	0150	1
269.078	50 10 319 045	0100	8	269.096	50 10 241 890	0090	31	287.005	74 08 171 088	0095	7
269.079	50 10 319 046	0100	8	269.097	74 08 171 096	0110	11	287.005	74 08 171 088	0110	8
269.080	50 10 319 047	0100	8	269.098	74 08 171 094	0110	13	287.006	74 20 366 534	0095	1
269.081	50 10 319 048	0100	8	269.099	50 10 534 881	0045	7	287.006	74 20 366 534	0110	2
269.089	50 00 685 989	0040	7	280.500	50 00 690 188	0015	25	287.007	50 10 534 648	0045	19
269.089	50 00 685 989	0050	7	280.500	50 00 690 188	0025	25	287.007	50 10 534 648	0085	1
269.089	50 00 685 989	0060	7	280.620	50 00 850 164	0015	20	287.007	50 10 534 648	0115	1
269.090	50 10 319 505	0040	42	280.620	50 00 850 164	0025	20	287.008	50 10 534 307	0045	25
269.090	50 10 319 505	0045	44	280.621	50 10 242 648	0015	20	287.008	50 10 534 307	0085	8

Date

06 / 2008

Table

Index

All original equipment manufacturers numbers, symbols, pictures, models and description used in this catalogue are for reference only, and it is not implied that any part listed is the product of these manufactures.  
Tutti i nostri particolari non sono originali ma con essi intercambiabili. I riferimenti originali, le figure, i modelli sono esposti a semplice titolo indicativo. La nostra produzione riporta il nostro marchio.

# CEI Index

CEI no.	R.V.I. no.	Tab.	Fig.	CEI no.	R.V.I. no.	Tab.	Fig.	CEI no.	R.V.I. no.	Tab.	Fig.
287.008	50 10 534 307	0115	8	298.006	56 00 106 920	0020	57	298.109	50 00 849 420	0150	24
287.009	50 10 534 364	0045	33	298.007	56 00 538 683	0010	42	298.110	50 00 849 667	0090	29
287.009	50 10 534 364	0085	10	298.008	50 00 655 301	0015	11	298.116	CEI 298116	0045	15
287.009	50 10 534 364	0115	10	298.008	50 00 655 301	0025	11	298.117	50 10 611 251	0045	42
287.010	50 10 534 384	0045	36	298.009	56 00 106 840	0020	57	298.117	50 10 611 251	0085	24
287.010	50 10 534 384	0085	18	298.010	56 00 538 684	0020	58	298.118	74 20 584 009	0095	12
287.010	50 10 534 384	0115	18	298.037	50 00 794 101	0030	24	298.119	74 20 568 621	0095	10
287.011	50 10 534 400	0045	35	298.037	50 00 794 101	0040	30				
294.001	56 00 664 969	0085	6	298.037	50 00 794 101	0050	30				
294.001	56 00 664 969	0115	6	298.037	50 00 794 101	0070	13				
294.002	56 00 664 968	0085	6	298.037	50 00 794 101	0080	13				
294.002	56 00 664 968	0115	6	298.037	50 00 794 101	0090	13				
294.003	56 00 664 967	0085	6	298.037	50 00 794 101	0120	13				
294.003	56 00 664 967	0115	6	298.037	50 00 794 101	0140	13				
294.004	56 00 664 966	0085	6	298.044	50 01 857 599	0040	30				
294.004	56 00 664 966	0115	6	298.044	50 01 857 599	0060	30				
294.005	56 00 664 965	0085	6	298.044	50 01 857 599	0080	13				
294.005	56 00 664 965	0115	6	298.044	50 01 857 599	0130	13				
294.006	56 00 664 964	0085	6	298.044	50 01 857 599	0150	13				
294.006	56 00 664 964	0115	6	298.056	50 01 864 600	0100	32				
294.007	56 00 664 963	0085	6	298.057	50 01 864 601	0100	32				
294.007	56 00 664 963	0115	6	298.071	50 01 863 200	0040	12				
294.008	56 00 664 962	0085	6	298.071	50 01 863 200	0060	12				
294.008	56 00 664 962	0115	6	298.072	50 01 863 408	0050	12				
294.009	56 00 664 961	0085	6	298.077	74 85 100 855	0110	14				
294.009	56 00 664 961	0115	6	298.079	50 01 865 510	0045	31				
294.010	56 00 664 960	0085	6	298.079	50 01 865 510	0085	12				
294.010	56 00 664 960	0115	6	298.079	50 01 865 510	0115	12				
294.011	56 00 664 959	0085	6	298.080	50 00 849 555	0050	38				
294.011	56 00 664 959	0115	6	298.080	50 00 849 555	0060	38				
294.012	56 00 664 958	0085	6	298.080	50 00 849 555	0090	22				
294.012	56 00 664 958	0115	6	298.080	50 00 849 555	0115	30				
294.013	56 00 664 957	0085	6	298.080	50 00 849 555	0130	30				
294.013	56 00 664 957	0115	6	298.080	50 00 849 555	0140	30				
294.014	56 00 664 956	0085	6	298.080	50 00 849 555	0150	30				
294.014	56 00 664 956	0115	6	298.109	50 00 849 420	0040	38				
294.015	74 20 508 644	0095	4	298.109	50 00 849 420	0050	38				
294.016	74 20 508 645	0095	4	298.109	50 00 849 420	0060	38				
294.017	74 20 508 646	0095	4	298.109	50 00 849 420	0080	21				
294.018	74 20 508 647	0095	4	298.109	50 00 849 420	0090	29				
294.019	74 20 593 224	0095	4	298.109	50 00 849 420	0115	24				
298.005	56 00 106 851	0010	41	298.109	50 00 849 420	0130	24				
298.006	56 00 106 920	0010	41	298.109	50 00 849 420	0140	24				

Date

06 / 2008

Table

Index



**Ai Clienti / Importatori / Distributori prodotti C.E.I. S.p.A.:**

**“CONFORMITA’ A LEGGI E/O REGOLAMENTI SPECIFICI DELLA NAZIONE IMPORTATRICE”**

*C.E.I. S.p.A. assicura che i propri prodotti sono conformi alle Leggi e Regolamenti del Mercato Europeo e declina ogni responsabilità per applicazioni soggette a Leggi e Regolamenti specifici del Paese importatore, lasciando allo stesso la responsabilità di verificare la conformità del prodotto C.E.I. S.p.A. ai vincoli cogenti di Leggi e/o Regolamenti locali.*

*C.E.I. S.p.A. si dichiara disponibile, su richiesta del cliente, a valutare la possibilità di adeguare i propri prodotti ad eventuali specifiche esigenze che ci venissero sottoposte.*

**To Customer / Importers / Distributors of CEI Spa products :**

**“COMPLIANCE WITH LAWS AND/OR SPECIFIC REGULATIONS OF THE IMPORT COUNTRY”**

*C.E.I. S.p.A. ensures that its products conform to the laws and regulations of the European Community and declines any responsibility for applications subject to specific laws and regulations of the import country which is responsible to ascertain the conformity of CEI S.p.A. products to the local laws and/or regulations in force.*

*C.E.I. S.p.A. is available to evaluate the possibility of adapting its products for specific applications on request, should the need arise from any customer.*

**Aux clients / importateurs / distributeurs produits C.E.I. S.p.A.**

**“CONFORMITE AUX LOIS ET/OU REGLEMENTS SPECIFIQUES DU PAYS IMPORTATEUR “**

*La maison C.E.I. S.p.A. assure que ses produits sont conformes aux lois et règlements de la Communauté Européenne et décline toute responsabilité pour d'applications assujetties aux lois et règlements spécifiques du pays importateur , en laissant aux mêmes la responsabilité de vérifier la conformité du produit CEI aux obligations de lois et/ou règlements en vigueur propres du pays .*

*La maison C.E.I. S.p.A. se déclare disposée, sur requête du client, à évaluer la possibilité de conformer ses produits à d'éventuelles exigences spécifiques qui soient demandées.*

**A los clientes/importadores/distribuidores del los productos CEI S.p.A.**

**“CONFORMIDAD A LAS LEYES Y/O LAS REGLAMENTACIONES ESPECIFICAS DE LA NACION IMPORTADORA “**

*CEI S.p.A certifica que sus productos están conformes con la leyes y las reglamentaciones del Mercado Europeo y declina cada responsabilidad por aplicaciones sujetas a leyes y reglamentaciones específicos del país importador, dejando al mismo la responsabilidad de averiguar la conformidad del producto CEI con los vinculos en vigencia de leyes y/o reglamentaciones locales.*

*CEI está disponible, bajo petición del cliente a evaluar la posibilidad de conformar sus productos con eventuales exigencias específicas.*



E' vietato a chiunque utilizzare le immagini ed i dati di questo catalogo per fini diversi dalla semplice consultazione. CEI perseguirà penalmente, nelle opportuni sedi giudiziarie, chi dovesse utilizzare servilmente, anche tramite semplice fotocopiatura, scanner ecc., le immagini di questo catalogo per propri fini.

It is forbidden to use pictures and data contained in this catalogue for aims other than reference purpose. CEI will prosecute those using the imaging contained here in for one's own purpose, even by means of photocopier or scanner, in the appropriate forum.

Il est interdit à quiconque d'utiliser les images et les informations de ce catalogue dans un but autre qu'une simple consultation. CEI poursuivra civilement et pénalement, dans les sièges juridiques opportuns, tous ceux qui utiliseront servilement, y compris par simple photocopie, scannage, etc. (même à simple titre d'exemple), les images de ce catalogue pour des objectifs autres que ceux prévus par Cei spa.

Queda prohibido a toda persona utilizar las imágenes y los datos de este catálogo con otra finalidad que no sea la de consulta. CEI perseguirá civil y penalmente, ante la jurisdicción que corresponda, a toda persona que incurra en imitación servil, incluso mediante el simple fotocopiado, escaneado, etc. (la indicación vale sólo a título de ejemplo), de las imágenes de este catálogo, con finalidades ajenas a las de CEI S.p.a.

Die Anwendung der Bilder und Daten dieses Katalogs für andere Zwecke als die des Nachschlagens ist verboten. CEI behält sich vor, gegen diejenigen bei den entsprechend zuständigen Gerichtsstellen zivil- und strafrechtlich vorzugehen, die die Bilder dieses Katalogs auch nur durch einfaches Kopieren, Einscannen, usw. für andere Zwecke als die der Firma Cei spa verwenden sollten.

---

**Edizione Giugno 2008**  
**Pagine nr. 98**

Stampa  
Poligrafico ARTIOLI

**C.E.I.  
COSTRUZIONE  
EMILIANA  
INGRANAGGI S.P.A.**



VIA EMILIA 239  
P.O. BOX 180  
40011 ANZOLA EMILIA  
BOLOGNA  
ITALY

TEL. +39 051 6506200 (r.a.)  
FAX +39 051 733832  
EXPORT FAX +39 051 734128

**INTERNET**

<http://www.cei.it>

**E-MAIL**

Informazioni: [cei@cei.it](mailto:cei@cei.it)  
Commerciale Italia: [italia@cei.it](mailto:italia@cei.it)  
Export: [export@cei.it](mailto:export@cei.it)  
Acquisti: [purchasingdept@cei.it](mailto:purchasingdept@cei.it)  
Amministrazione: [accountdept@cei.it](mailto:accountdept@cei.it)



H I G H F I D E L I T Y