

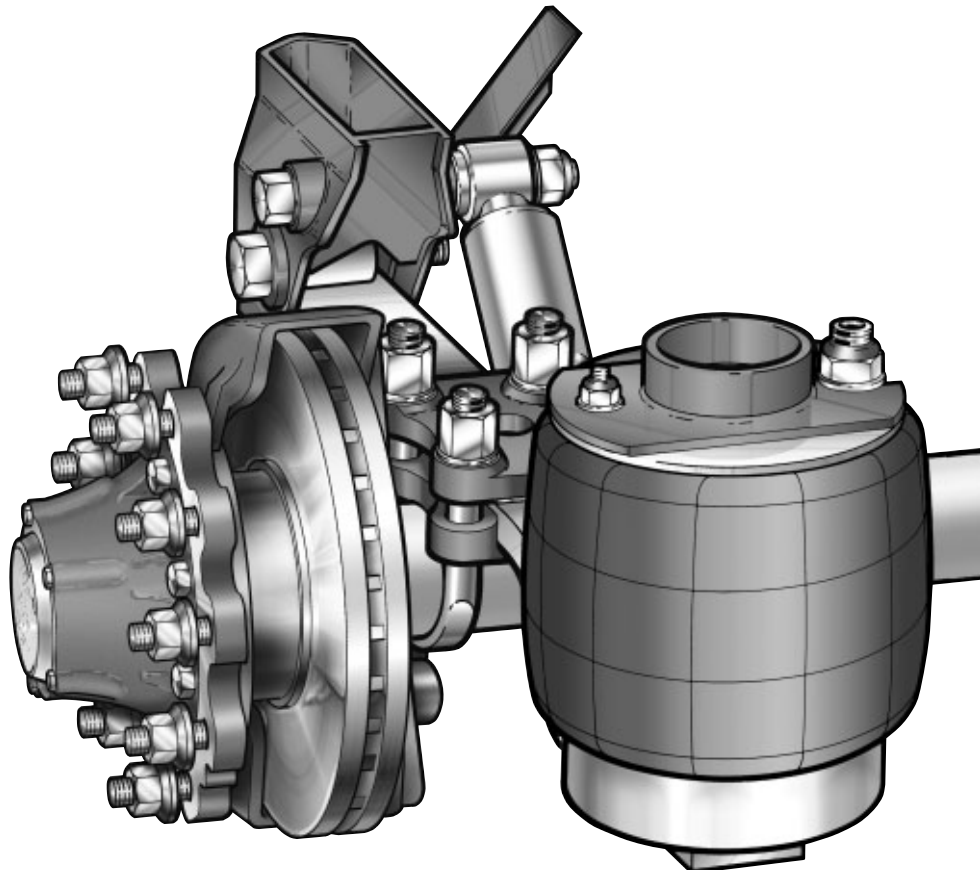
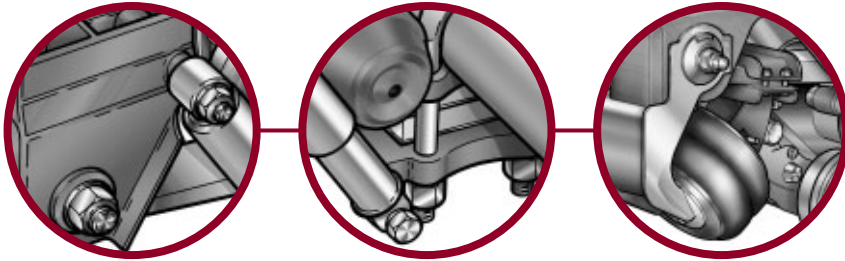


MERITOR™

ROR Trailer Products

Air Suspension Parts List

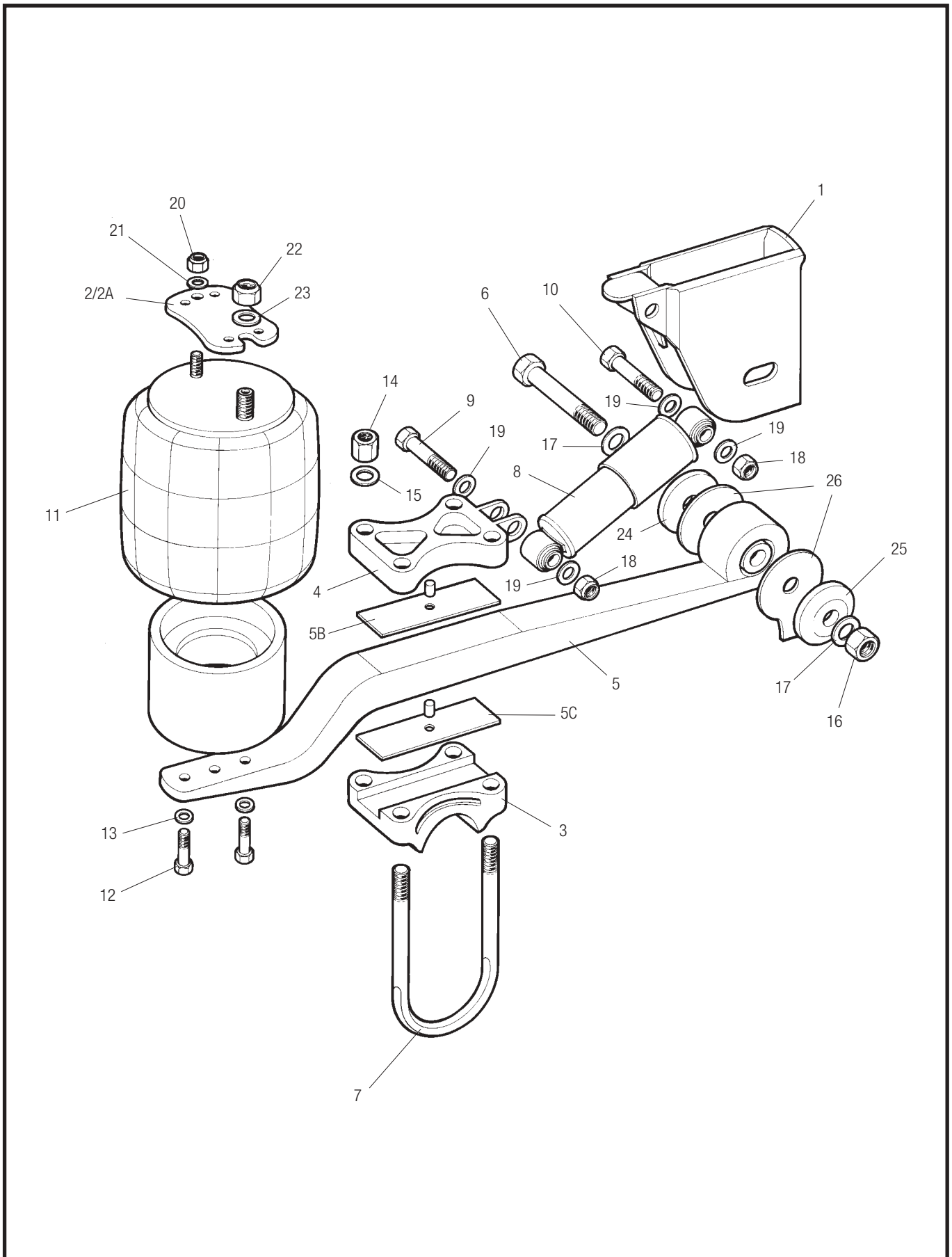
Flexlite XL9000, Flexair FL9000 & FL11000



ArvinMeritor™

Air Suspension Parts List

Flexlite XL9000



Air Suspension Parts List

Flexlite XL9000

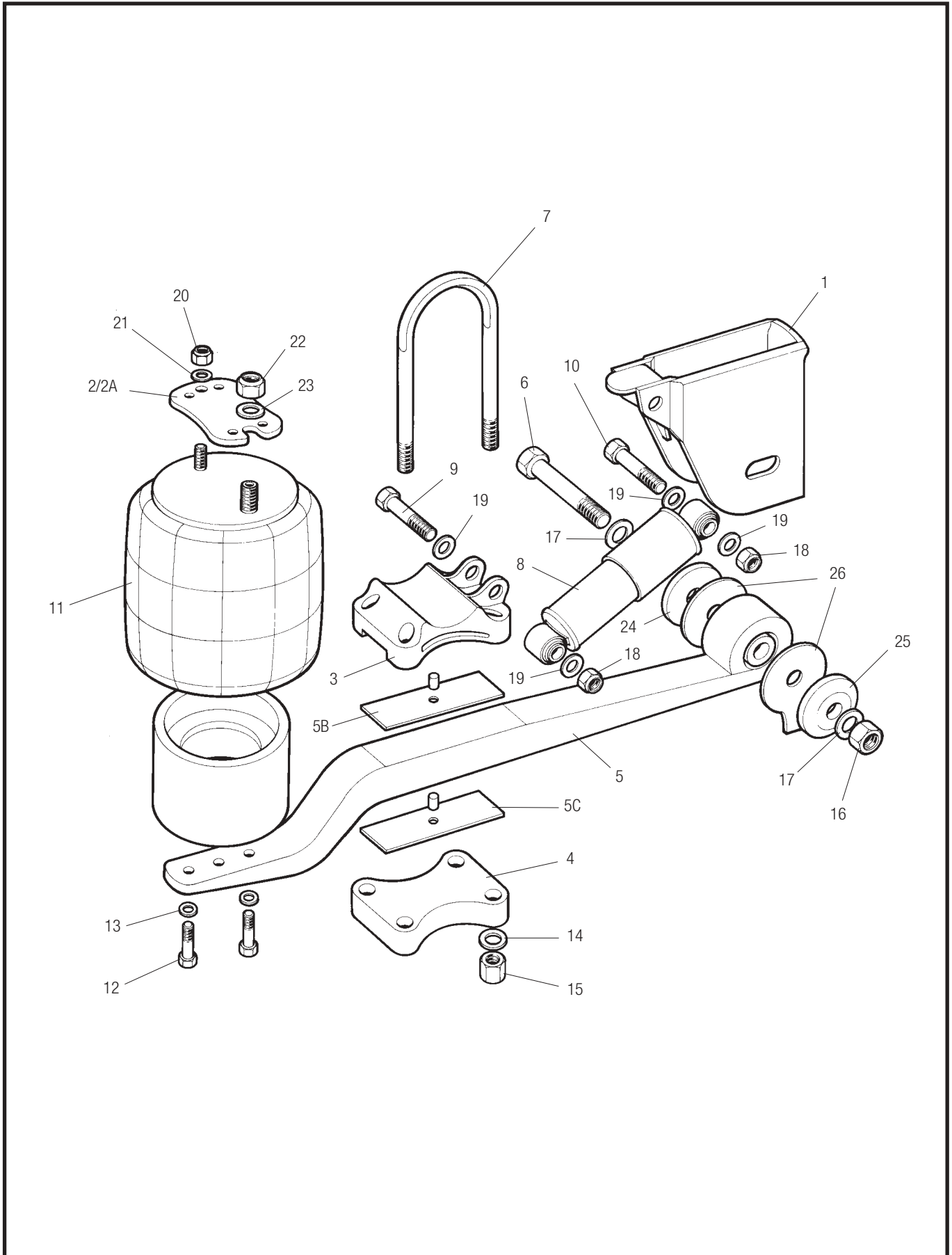


MERITOR™

Item	Description	Part Number
1A	Frame mounting bracket, tracked L/H, (ride height mm)	21225133L-36L (375-450)
1A	Frame mounting bracket, tracked R/H, (ride height mm)	21225133R-36R (375-450)
2	Airspring pedestal plate, (ride height mm)	21222582 (375)
2A	Airspring pedestal assembly, (ride height mm)	21222583-85 (400-450)
3	Spring seat	21225055
4	U bolt plate	21225057
5	Trailing arm assembly, c/w bush, M24	21225102
5A	Pivot bush, M24	21225103
5B	Shim	21225152
5C	Shim	21225170
6	Pivot bolt, M24	21225155
7	U bolt, M24	21225151
8	Damper	21225104
9	Damper bolt - bottom, M16	21225154
10	Damper bolt - top, M16	21225154
11	Airspring	21222442FS
12	Bolt, M12 x 55	99526002
13	Spring washer, M12	99510003
14	U bolt nut, M24	21222243
15	U bolt washer, M24	21222923
16	Pivot nut, M24	99527004
17	Pivot washer, M24	99513007
18	Damper nut, M16	21225159
19	Damper washer, M16	21224978
20	Nut, M12	99527000
21	Washer, M12	99513006
22	Nut, M22	99528001
23	Washer, M22	99510004
24	Tracking bush, eccentric, M24	21228663
25	Tracking bush, concentric, M24	21228664
26	Wear plate, tracked, M24	21225162

Air Suspension Parts List

Flexlite XL9000L



Air Suspension Parts List

Flexlite XL9000L

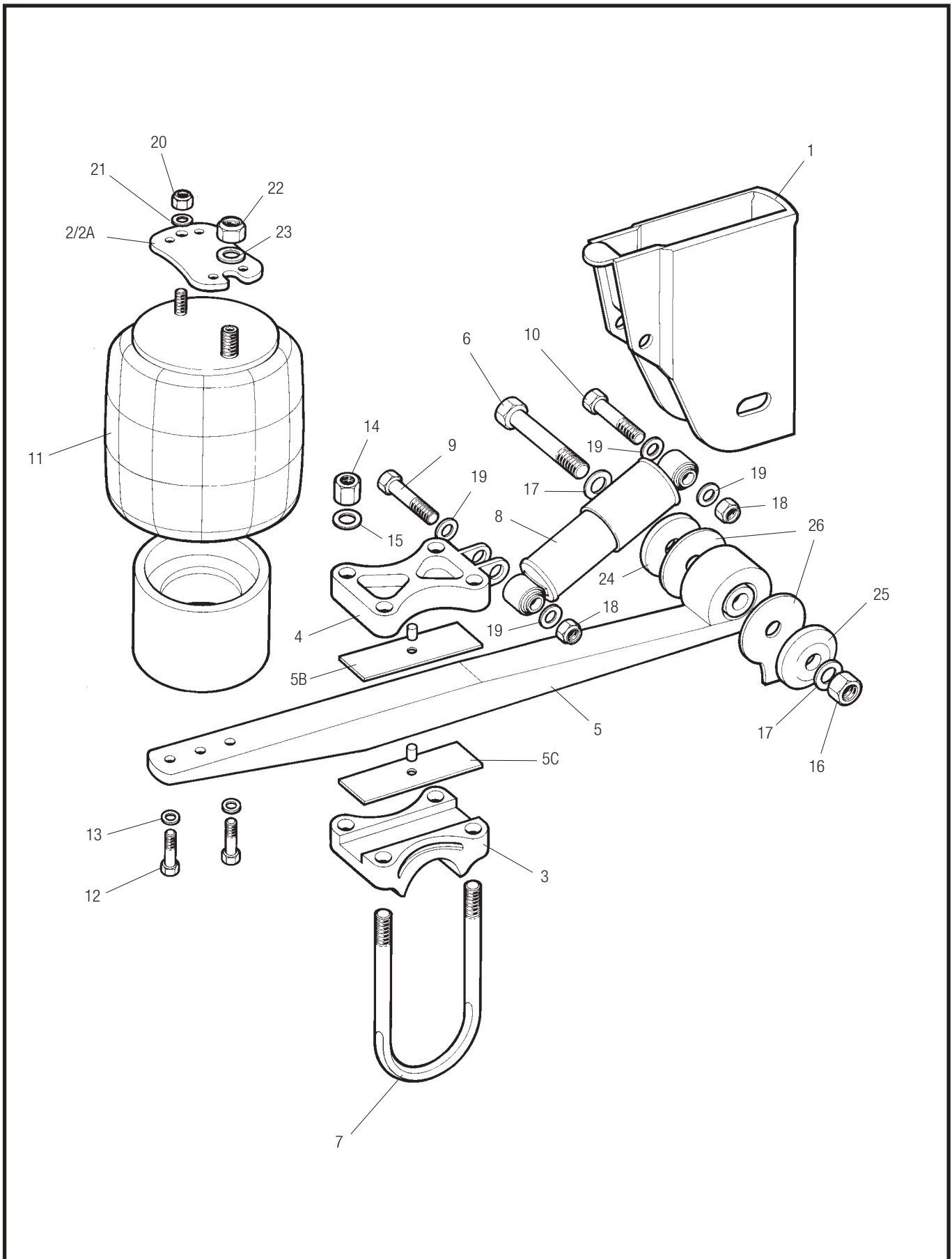


MERITOR™

Item	Description	Part Number
1A	Frame mounting bracket, tracked L/H, (ride height mm)	21225133L-37L (150-250)
1A	Frame mounting bracket, tracked R/H, (ride height mm)	21225133R-37R (150-250)
2	Airspring pedestal plate, (ride height mm)	21222582 (150)
2A	Airspring pedestal assembly, (ride height mm)	21222583-86 (175-250)
3	Spring seat	21225054
4	U bolt plate	21225056
5	Trailing arm assembly, c/w bush, M24	21225102
5A	Pivot bush, M24	21225103
5B	Shim	21225152
5C	Shim	21225170
6	Pivot bolt, M24	21225155
7	U bolt, M24	21225151
8	Damper	21225104
9	Damper bolt - bottom, M16	21225154
10	Damper bolt - top, M16	21225154
11	Airspring	21222442FS
12	Bolt, M12 x 55	99526002
13	Spring washer, M12	99510003
14	U bolt nut, M24	21222243
15	U bolt washer, M24	21222923
16	Pivot nut, M24	99527004
17	Pivot washer, M24	99513007
18	Damper nut, M16	21225159
19	Damper washer, M16	21224978
20	Nut, M12	99527000
21	Washer, M12	99513006
22	Nut, M22	99528001
23	Washer, M22	99510004
24	Tracking bush, eccentric, M24	21228663
25	Tracking bush, concentric, M24	21228664
26	Wear plate, tracked, M24	21225162

Air Suspension Parts List

Flexlite XL9000H



Air Suspension Parts List

Flexlite XL9000H

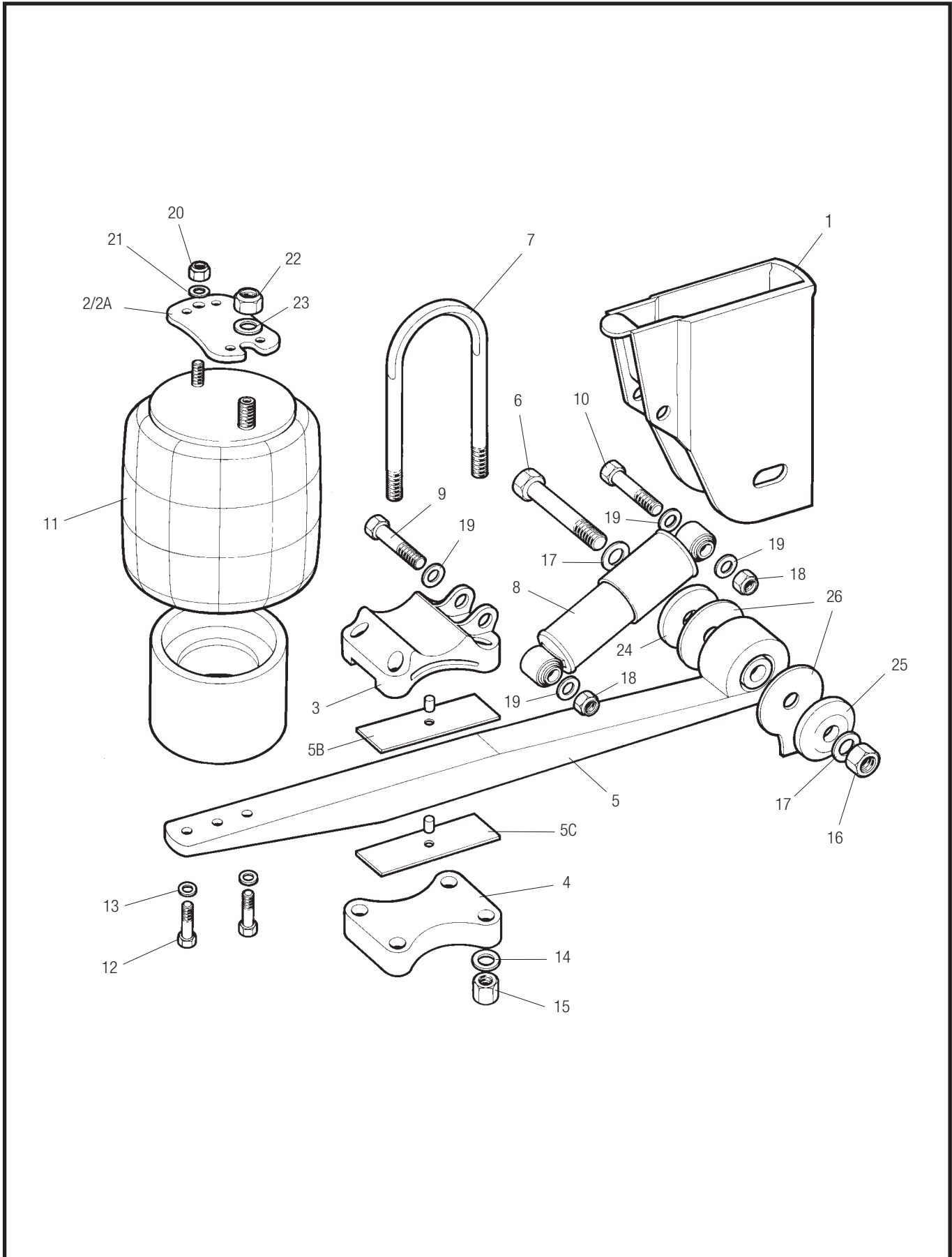


MERITOR™

Item	Description	Part Number
1A	Frame mounting bracket, tracked L/H, (ride height mm)	21225137L-40L (475-550)
1A	Frame mounting bracket, tracked R/H, (ride height mm)	21225137R-40R (475-550)
2	Airspring pedestal plate, (ride height mm)	21222582 (475)
2A	Airspring pedestal assembly, (ride height mm)	21222583-85 (500-550)
3	Spring seat	21225055
4	U bolt plate	21225057
5	Trailing arm assembly, c/w bush, M24	21225354
5A	Pivot bush, M24	21225103
5B	Shim	21225152
5C	Shim	21225170
6	Pivot bolt, M24	21225155
7	U bolt, M24	21225151
8	Damper	21225104
9	Damper bolt - bottom, M16	21225154
10	Damper bolt - top, M16	21225154
11	Airspring	21222442FS
12	Bolt, M12 x 55	99526002
13	Spring washer, M12	99510003
14	U bolt nut, M24	21222243
15	U bolt washer, M24	21222923
16	Pivot nut, M24	99527004
17	Pivot washer, M24	99513007
18	Damper nut, M16	21225159
19	Damper washer, M16	21224978
20	Nut, M12	99527000
21	Washer, M12	99513006
22	Nut, M22	99528001
23	Washer, M22	99510004
24	Tracking bush, eccentric, M24	21228663
25	Tracking bush, concentric, M24	21228664
26	Wear plate, tracked, M24	21224386

Air Suspension Parts List

Flexlite XL9000HL



Air Suspension Parts List

Flexlite XL9000HL

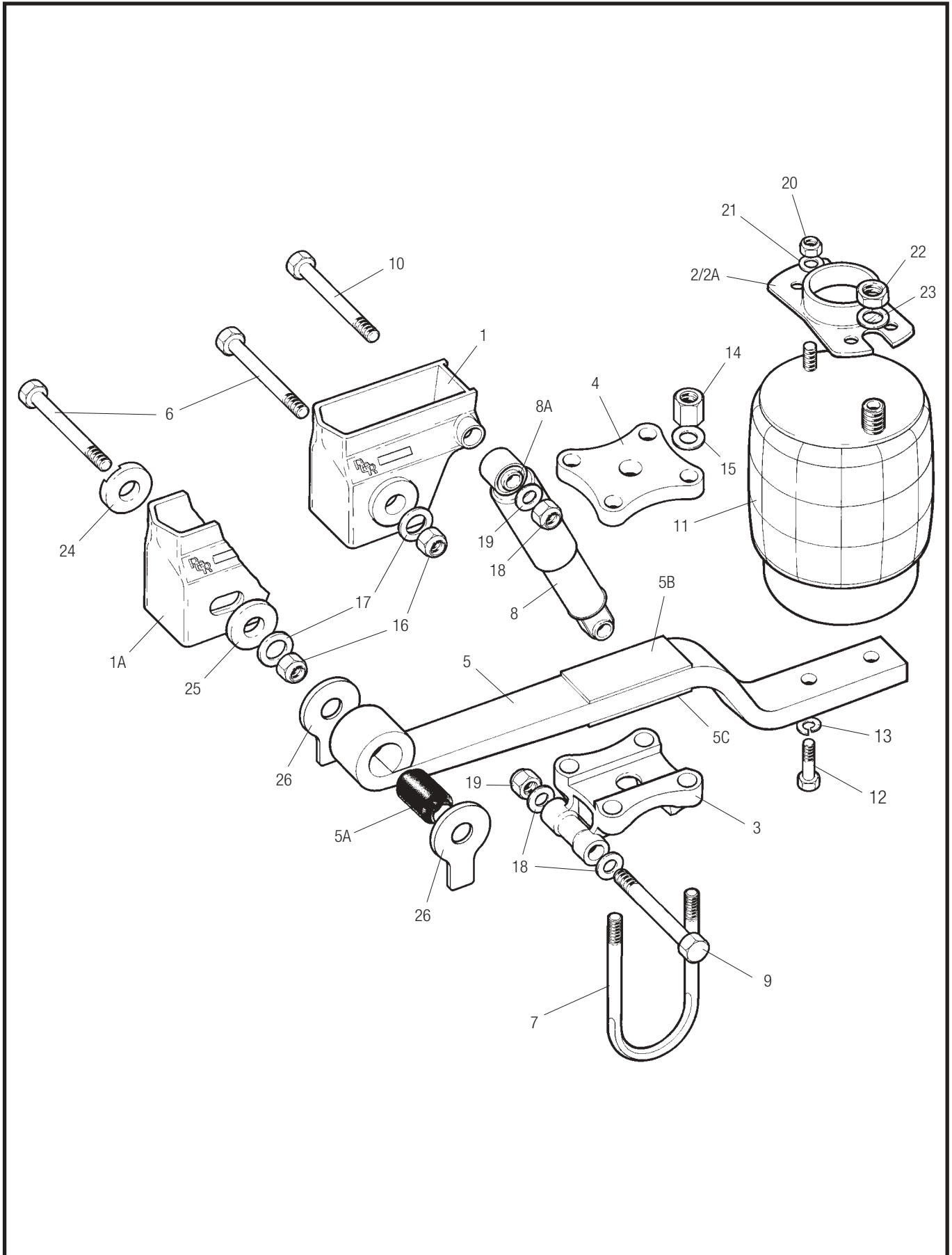


MERITOR™

Item	Description	Part Number
1A	Frame mounting bracket, tracked L/H, (ride height mm)	21225133L-37L (250-350)
1A	Frame mounting bracket, tracked R/H, (ride height mm)	21225133R-37R (250-350)
2	Airspring pedestal plate, (ride height mm)	21222582 (250)
2A	Airspring pedestal assembly, (ride height mm)	21222583-86 (275-350)
3	Spring seat	21225054
4	U bolt plate	21225056
5	Trailing arm assembly, c/w bush, M24	21224664
5A	Pivot bush, M24	21225103
5B	Shim	21225152
5C	Shim	21225170
6	Pivot bolt, M24	21225155
7	U bolt, M24	21225151
8	Damper	21225104
9	Damper bolt - bottom, M16	21225154
10	Damper bolt - top, M16	21225154
11	Airspring	21222442FS
12	Bolt, M12 x 55	99526002
13	Spring washer, M12	99510003
14	U bolt nut, M24	21222243
15	U bolt washer, M24	21222923
16	Pivot nut, M24	99527004
17	Pivot washer, M24	99513007
18	Damper nut, M16	21225159
19	Damper washer, M16	21224978
20	Nut, M12	99527000
21	Washer, M12	99513006
22	Nut, M22	99528001
23	Washer, M22	99510004
24	Tracking bush, eccentric, M24	21228663
25	Tracking bush, concentric, M24	21228664
26	Wear plate, tracked, M24	21225162

Air Suspension Parts List

Flexair FL9000NB



Air Suspension Parts List

Flexair FL9000NB



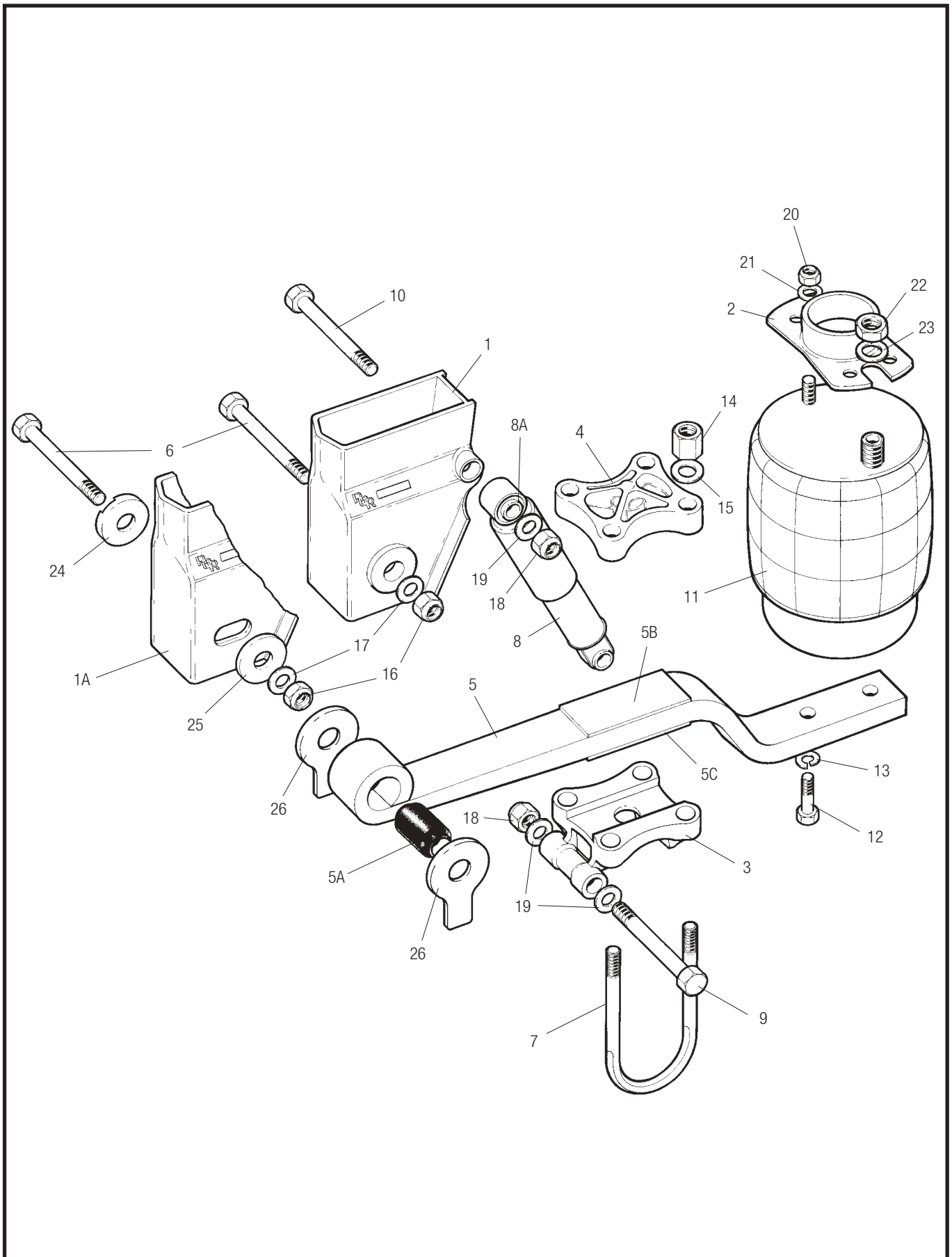
MERITOR™

Item	Description	Part Number
1	Frame mounting bracket, untracked, (ride height mm)	21224781-83 (310-350)
1A	Frame mounting bracket, tracked L/H, (ride height mm)	21224781L-83L (310-350)
1A	Frame mounting bracket, tracked R/H, (ride height mm)	21224781R-83R (310-350)
1	Frame mounting bracket, untracked, (ride height mm)	21226414-16 (375-425)
1A	Frame mounting bracket, tracked L/H, (ride height mm)	21226414L-16L (375-425)
1A	Frame mounting bracket, tracked R/H, (ride height mm)	21226414R-16R (375-425)
1	Frame mounting bracket, untracked, (ride height mm)	21227231-32 (450-475)
1A	Frame mounting bracket, tracked L/H, (ride height mm)	21227231L-32L (450-475)
1A	Frame mounting bracket, tracked R/H, (ride height mm)	21227231R-32R (450-475)
2	Airspring pedestal plate, (ride height mm)	21224614 (350)
2A	Airspring pedestal assembly, (ride height mm)	21226421-23 (375-425)
2A	Airspring pedestal assembly, (ride height mm)	21227233-34 (450-475)
3	Spring seat	21222399
4	U bolt plate	21222395N
5	Trailing arm assembly, c/w bush, M24	21224664
5A	Pivot bush, M24	21224663
5B	Shim	21222330
5C	Shim	21222329
6	Pivot bolt, M24 x 195	21222230
7	U bolt, M24 x 269	21223928
8	Damper	21224778
8A	Damper bush	DBK2
9	Damper bolt - bottom, M24 x 250	21222231
10	Damper bolt - top, M24 x 250	21222231
11	Airspring	21222442FS
12	Bolt, M12 x 55	99526002
13	Spring washer, M12	99510003
14	U bolt nut, M24	21222243
15	U bolt washer, M24	21222923
16	Pivot nut, M24	99527004
17	Pivot washer, M24	99513007
18	Damper nut, M24	99527004
19	Damper washer, M24	99513007
20	Nut, M12	99512007
21	Washer, M12	99513006
22	Nut, M22	99528001
23	Washer, M22	99510004
24	Tracking bush, eccentric*, M24	21228663
25	Tracking bush, concentric*, M24	21228664
26	Wear plate, tracked, M24	21224386

* If the pivot eye tracking is not fitted then tracking bushes are not supplied as they are prewelded to the frame mounting brackets.

Air Suspension Parts List

Flexair FL9000



Air Suspension Parts List

Flexair FL9000



MERITOR™

Item	Description	Part Number
1	Frame mounting bracket, untracked, (ride height mm)	21222370-74 (375-475) ⁽¹⁾
1A	Frame mounting bracket, tracked L/H, (ride height mm)	21222370L-74L (375-475) ⁽¹⁾
1A	Frame mounting bracket, tracked R/H, (ride height mm)	21222370R-74R (375-475) ⁽¹⁾
1	Frame mounting bracket, untracked, (ride height mm)	21222735-42 (375-550) ⁽²⁾
1A	Frame mounting bracket, tracked L/H, (ride height mm)	21222735L-42L (375-550) ⁽²⁾
1A	Frame mounting bracket, tracked R/H, (ride height mm)	21222735R-42R (375-550) ⁽²⁾
1	Frame mounting bracket, untracked, (ride height mm)	21224634-41 (375-550) ⁽³⁾
1A	Frame mounting bracket, tracked L/H, (ride height mm)	21224634L-41L (375-550) ⁽³⁾
1A	Frame mounting bracket, tracked R/H, (ride height mm)	21224634R-41R (375-550) ⁽³⁾
2A	Airspring pedestal assembly, (ride height mm)	21222582-89 (375-550)
3	Spring seat	21222399
4	U bolt plate	21222395
5	Trailing arm assembly, c/w bush, M30	21222247
5	Trailing arm assembly, c/w bush, M24	21224664 ⁽³⁾
5A	Pivot bush, M30	21222609
5A	Pivot bush, M24	21224663 ⁽³⁾
5B	Shim	21222330
5C	Shim	21222329
6	Pivot bolt, M30 x 200	21222234
6	Pivot bolt, M24 x 195	21222230 ⁽³⁾
7	U bolt, M24 x 280	21223928
8	Damper	21224745
8A	Damper bush	DBK2
9	Damper bolt - bottom, M24 x 250	21222231
10	Damper bolt - top, M24 x 250	21222231
11	Airspring	21222442FS
12	Bolt, M12 x 55	99526002
13	Spring washer, M12	99510003
14	U bolt nut, M24	21222243
15	U bolt washer, M24	21222923
16	Pivot nut, M30	99527003
16	Pivot nut, M24	99527004 ⁽³⁾
17	Pivot washer, M30	99513008
17	Pivot washer, M24	99513007 ⁽³⁾
18	Damper nut, M24	99527004
19	Damper washer, M24	99513007
20	Nut, M12	99527000
21	Washer, M12	99513006
22	Nut, M22	99528001
23	Washer, M22	99510004
24	Tracking bush, eccentric*, M30	21222221
24	Tracking bush, eccentric*, M24	21228663 ⁽³⁾
25	Tracking bush, concentric*, M30	21222287
25	Tracking bush, concentric*, M24	21228664 ⁽³⁾
26	Wear plate, tracked, M30	21222223
26	Wear plate, untracked, M30	21222690
26	Wear plate, tracked, M24	21224386 ⁽³⁾

⁽¹⁾ Before April 1993

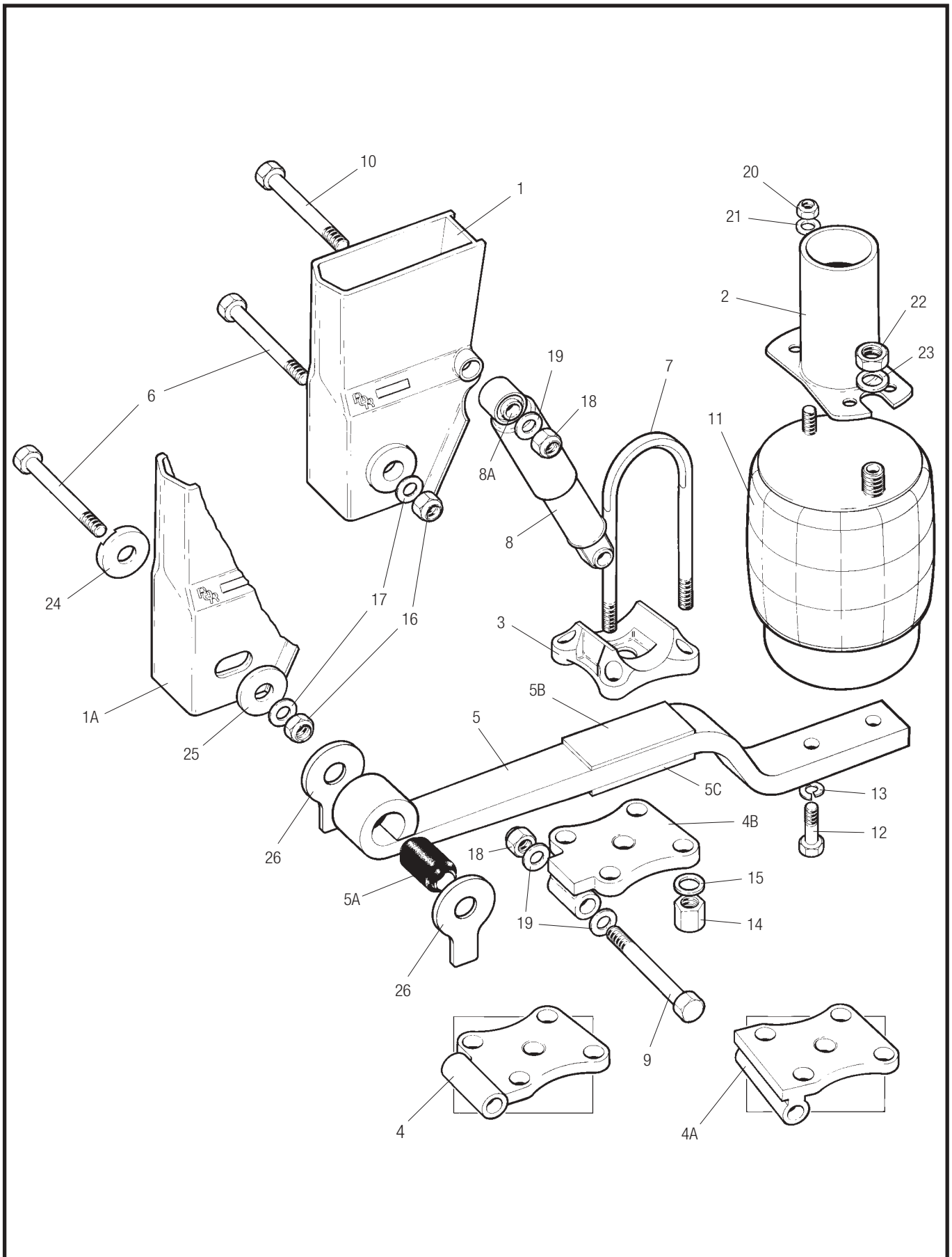
⁽²⁾ After April 1993

⁽³⁾ After December 2000

* If the pivot eye tracking is not fitted then tracking bushes are not supplied as they are prewelded to the frame mounting brackets.

Air Suspension Parts List

Flexair FL9000L



Air Suspension Parts List

Flexair FL9000L



MERITOR™

Item	Description	Part Number
1	Frame mounting bracket, untracked, (ride height mm)	21221981-88 (200-375) ⁽¹⁾
1A	Frame mounting bracket, tracked L/H, (ride height mm)	21221981L-88L (200-375) ⁽¹⁾
1A	Frame mounting bracket, tracked R/H, (ride height mm)	21221981R-88R (200-375) ⁽¹⁾
1	Frame mounting bracket, untracked, (ride height mm)	21222736-43 (200-375) ⁽²⁾
1A	Frame mounting bracket, tracked L/H, (ride height mm)	21222736L-43L (200-375) ⁽²⁾
1A	Frame mounting bracket, tracked R/H, (ride height mm)	21222736R-43R (200-375) ⁽²⁾
1	Frame mounting bracket, untracked, (ride height mm)	21224635-42 (200-375) ⁽³⁾
1A	Frame mounting bracket, tracked L/H, (ride height mm)	21224635L-42L (200-375) ⁽³⁾
1A	Frame mounting bracket, tracked R/H, (ride height mm)	21224635R-42R (200-375) ⁽³⁾
2A	Airspring pedestal assembly, (ride height mm)	21222584-91 (200-375)
3	Spring seat	21222262
4	U bolt plate	21222580
4	U bolt plate	21223646L or R ⁽²⁾
4	U bolt plate, L/H	21223646L
4	U bolt plate, R/H	21223646R
5	Trailing arm assembly, c/w bush, M30	21222247
5	Trailing arm assembly, c/w bush, M24	21224664 ⁽³⁾
5A	Pivot bush, M30	21222609
5A	Pivot bush, M24	21224663 ⁽³⁾
5B	Shim	21222906
5C	Shim	21222329
6	Pivot bolt, M30 x 200	21222234
6	Pivot bolt, M24 x 195	21222230 ⁽³⁾
7	U bolt, M24 x 280	21223928
8	Damper	21224745
8A	Damper bush	DBK2
9	Damper bolt - bottom, M24 x 195	21222230
10	Damper bolt - top, M24 x 250	21222231
11	Airspring	21222442FS
12	Bolt, M12 x 55	99526002
13	Spring washer, M12	99510003
14	U bolt nut, M24	21222243
15	U bolt washer, M24	21222923
16	Pivot nut, M30	99527003
16	Pivot nut, M24	99527004 ⁽³⁾
17	Pivot washer, M30	99513008
17	Pivot washer, M24	99513007 ⁽³⁾
18	Damper nut, M24	99527004
19	Damper washer, M24	99513007
20	Nut, M12	99527000
21	Washer, M12	99513006
22	Nut, M22	99528001
23	Washer, M22	99510004
24	Tracking bush, eccentric*, M30	21222221
24	Tracking bush, eccentric*, M24	21228663 ⁽³⁾
25	Tracking bush, concentric*, M30	21222287
25	Tracking bush, concentric*, M24	21228664 ⁽³⁾
26	Wear plate, tracked, M30	21222223
26	Wear plate, untracked, M30	21222690
26	Wear plate, tracked, M24	21224386 ⁽³⁾

⁽¹⁾ Before April 1993

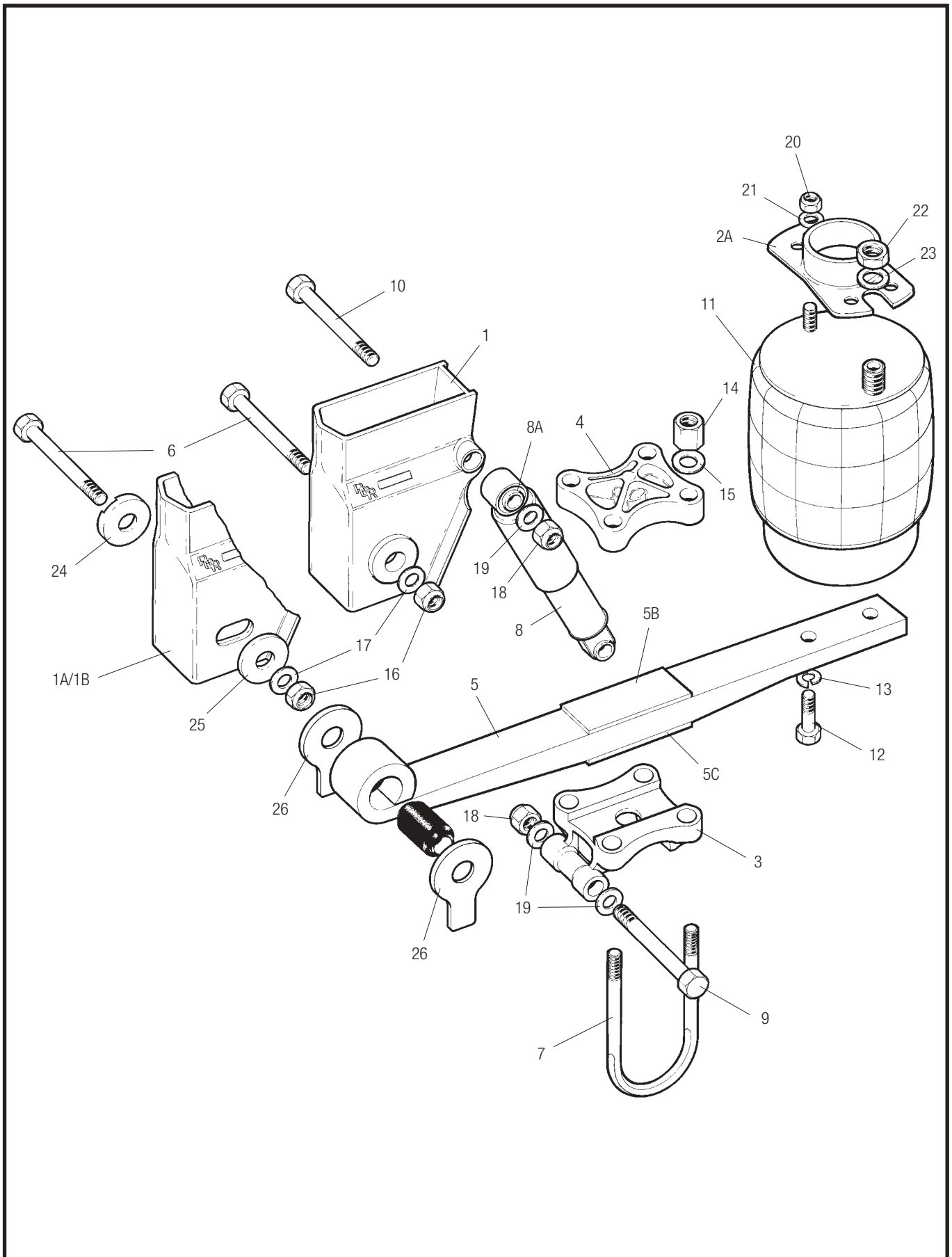
⁽²⁾ After April 1993

⁽³⁾ After December 2000

* If the pivot eye tracking is not fitted then tracking bushes are not supplied as they are prewelded to the frame mounting brackets.

Air Suspension Parts List

Flexair FL9000H



Air Suspension Parts List

Flexair FL9000H



MERITOR™

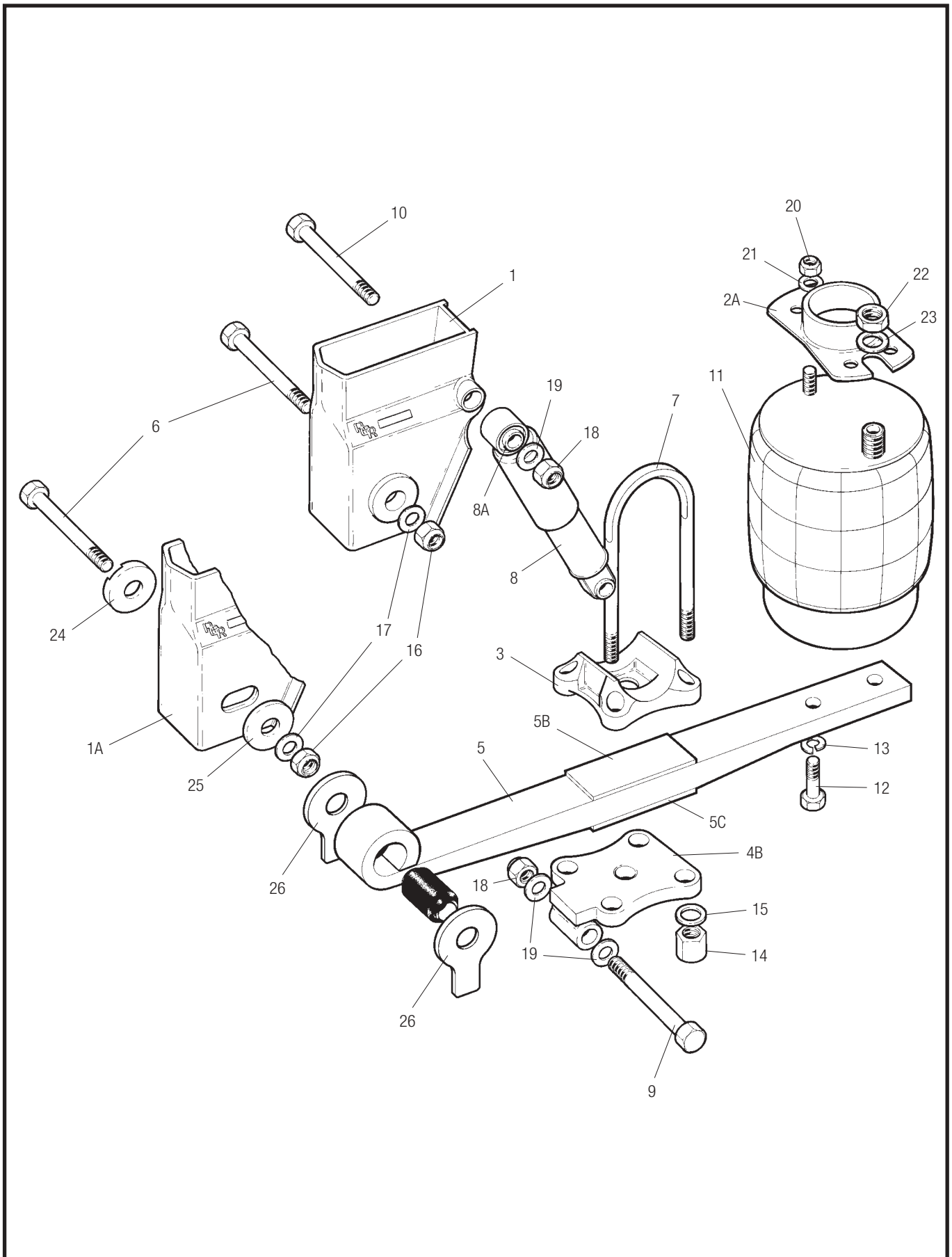
Item	Description	Part Number
1	Frame mounting bracket, untracked, (ride height mm)	21224639-41 (500-550)
1A	Frame mounting bracket, tracked L/H, (ride height mm)	21224639L-41L (500-550)
1A	Frame mounting bracket, tracked R/H, (ride height mm)	21224639R-41R (500-550)
2A	Airspring pedestal assembly, (ride height mm)	21222582-84 (500-550)
3	Spring seat	21222399
4	U bolt plate	21222395
5	Trailing arm assembly, c/w bush, M30	21224376
5	Trailing arm assembly, c/w bush, M24	21227324 ⁽³⁾
5B	Shim	21222330
5C	Shim	21222906
6	Pivot bolt, M30 x 200	21222234
6	Pivot bolt, M24 x 195	21222230 ⁽³⁾
7	U bolt, M24 x 280	21223928
8	Damper	21224745
8A	Damper bush	DBK2
9	Damper bolt - bottom, M24 x 250	21222231
10	Damper bolt - top, M24 x 250	21222231
11	Airspring	21222442FS
12	Bolt, M12 x 55	99526002
13	Spring washer, M12	99510003
14	U bolt nut, M24	21222243
15	U bolt washer, M24	21222923
16	Pivot nut, M30	99527003
16	Pivot nut, M24	99527004 ⁽³⁾
17	Pivot washer, M30	99513008
17	Pivot washer, M24	99513007 ⁽³⁾
18	Damper nut, M24	99527004
19	Damper washer, M24	99513007
20	Nut, M12	99527000
21	Washer, M12	99513006
22	Nut, M22	99528001
23	Washer, M22	99510004
24	Tracking bush, eccentric*, M30	21222221
24	Tracking bush, eccentric*, M24	21228663 ⁽³⁾
25	Tracking bush, concentric*, M30	21222287
25	Tracking bush, concentric*, M24	21228664 ⁽³⁾
26	Wear plate, tracked, M30	21222223
26	Wear plate, untracked, M30	21222690
26	Wear plate, tracked, M24	21224386 ⁽³⁾

⁽³⁾ After December 2000

* If the pivot eye tracking is not fitted then tracking bushes are not supplied as they are prewelded to the frame mounting brackets.

Air Suspension Parts List

Flexair FL9000HL



Air Suspension Parts List

Flexair FL9000HL



MERITOR™

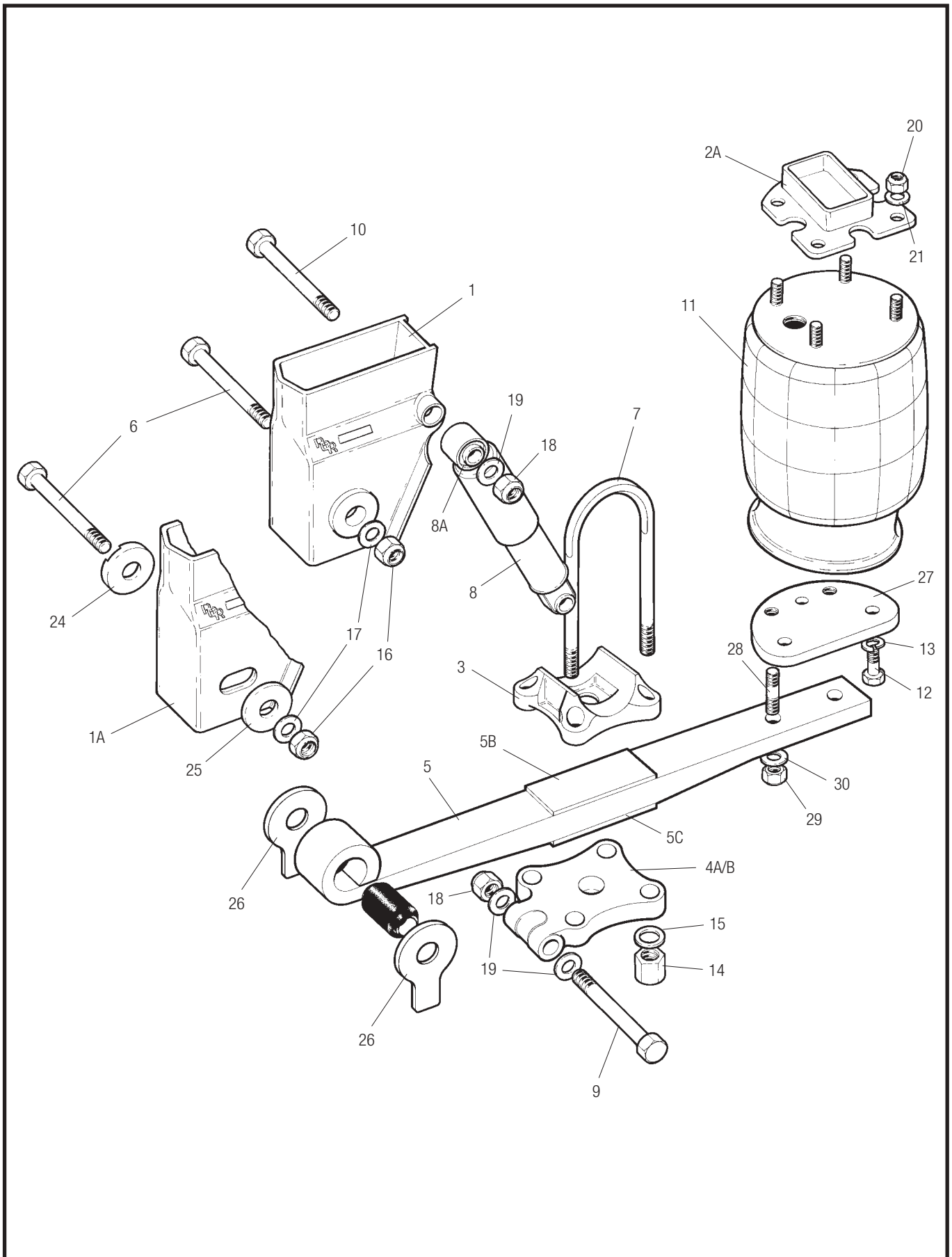
Item	Description	Part Number
1	Frame mounting bracket, untracked, (ride height mm)	21224637-41 (275-375)
1A	Frame mounting bracket, tracked L/H, (ride height mm)	21224637L-41L (275-375)
1A	Frame mounting bracket, tracked R/H, (ride height mm)	21224637R-41R (275-375)
2A	Airspring pedestal assembly, (ride height mm)	21222582-86 (275-375)
3	Spring seat	21222262
4	U bolt plate, L/H	21223646L
4	U bolt plate, R/H	21223646R
5	Trailing arm assembly, c/w bush, M30	21224376
5	Trailing arm assembly, c/w bush, M24	21227324 ⁽³⁾
5B	Shim	21222330
5C	Shim	21222329
6	Pivot bolt, M30 x 200	21222234
6	Pivot bolt, M24 x 195	21222230 ⁽³⁾
7	U bolt, M24 x 280	21223928
8	Damper	21224745
8A	Damper bush	DBK2
9	Damper bolt - bottom, M24 x 195	21222230
10	Damper bolt - top, M24 x 250	21222231
11	Airspring	21222442FS
12	Bolt, M12 x 55	99526002
13	Spring washer, M12	99510003
14	U bolt nut, M24	21222243
15	U bolt washer, M24	21222923
16	Pivot nut, M30	99527003
16	Pivot nut, M24	99527004 ⁽³⁾
17	Pivot washer, M30	99513008
17	Pivot washer, M24	99513007 ⁽³⁾
18	Damper nut, M24	99527004
19	Damper washer, M24	99513007
20	Nut, M12	99527000
21	Washer, M12	99513006
22	Nut, M22	99528001
23	Washer, M22	99510004
24	Tracking bush, eccentric*, M30	21222221
24	Tracking bush, eccentric*, M24	21228663 ⁽³⁾
25	Tracking bush, concentric*, M30	21222287
25	Tracking bush, concentric*, M24	21228664 ⁽³⁾
26	Wear plate, tracked, M30	21222223
26	Wear plate, untracked, M30	21222690
26	Wear plate, tracked, M24	21224386 ⁽³⁾

⁽³⁾ After December 2000

* If the pivot eye tracking is not fitted then tracking bushes are not supplied as they are prewelded to the frame mounting brackets.

Air Suspension Parts List

Flexair FL9000HLL



Air Suspension Parts List

Flexair FL9000HLL



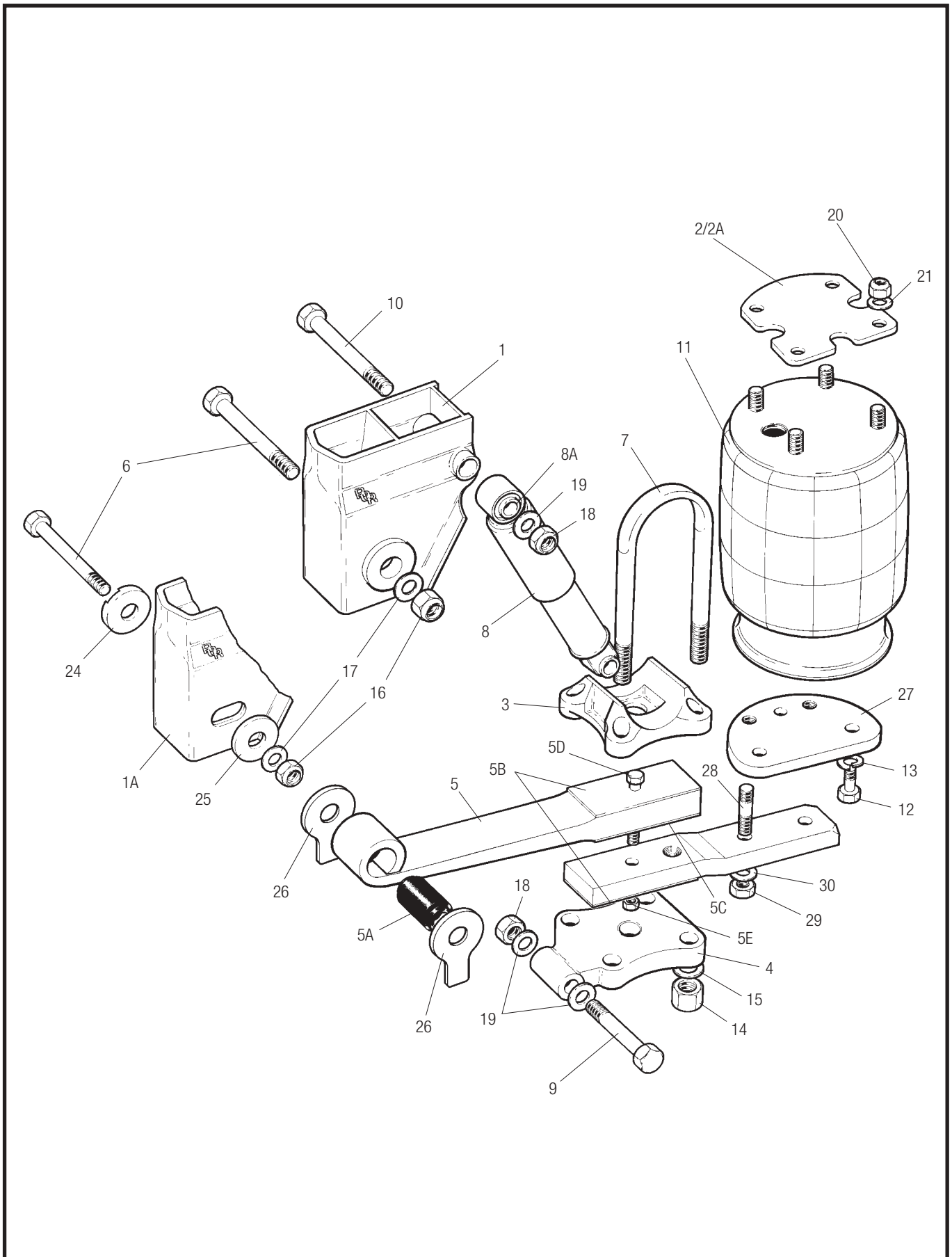
MERITOR™

Item	Description	Part Number
1	Frame mounting bracket, untracked, (ride height mm)	21224636-41 (300-425)
1A	Frame mounting bracket, tracked L/H, (ride height mm)	21224636L-41L (300-425)
1A	Frame mounting bracket, tracked R/H, (ride height mm)	21224636R-41R (300-425)
2A	Airspring pedestal assembly, (ride height mm)	21221995-00 (300-425)
3	Spring seat	21226018
4	U bolt plate, L/H	21224437L
4	U bolt plate, R/H	21224436R
5	Trailing arm assembly, c/w bush, M24	21226383
5A	Pivot bush, M24	21224663
5B	Shim	21222330
5C	Shim	21222329
6	Pivot bolt, M24 x 195	21222230
7	U bolt, M24	21223928
8	Damper	21224034
8A	Damper bush	DBK1
9	Damper bolt - bottom, M24 x 195	21222230
10	Damper bolt - top, M24 x 250	21222231
11	Airspring	21222673FS
12	Bolt, M12 x 35	99526000
13	Spring washer, M12	99510003
14	U bolt nut, M24	21222243
15	U bolt washer, M24	21222923
16	Pivot nut, M24	99527004
17	Pivot washer, M24	99513007
18	Damper nut, M24	99527004
19	Damper washer, M24	99513007
20	Nut, M12	99527000
21	Washer, M12	99513006
24	Tracking bush, eccentric*, M24	21228663
25	Tracking bush, concentric*, M24	21228664
26	Wear plate, tracked, M24	21224386
27	Offset Support Plate (offset mm)	21222251
28	Stud, M16	21222255
29	Nut, M16	99527002
30	Washer, M16	99513009

* If the pivot eye tracking is not fitted then tracking bushes are not supplied as they are prewelded to the frame mounting brackets.

Air Suspension Parts List

Flexair FL9000M



Air Suspension Parts List

Flexair FL9000M



MERITOR™

Item	Description	Part Number
1	Frame mounting bracket, untracked, (ride height mm)	21222717-18 (228-253)
1A	Frame mounting bracket, tracked L/H, (ride height mm)	21222717L-18L (228-253)
1A	Frame mounting bracket, tracked R/H, (ride height mm)	21222717R-18R (228-253)
1	Frame mounting bracket, untracked, (ride height mm)	21226520-21 (228-253) ⁽³⁾
1A	Frame mounting bracket, tracked L/H, (ride height mm)	21226520L-21L (228-253) ⁽³⁾
1A	Frame mounting bracket, tracked R/H, (ride height mm)	21226520R-21R (228-253) ⁽³⁾
2	Airspring pedestal plate, (ride height mm)	21222452 (228)
2A	Airspring pedestal assembly, (ride height mm)	21221994 (253)
3	Spring seat	21222262
4	U bolt plate	21224461 ⁽⁴⁾
5	Trailing arm assembly, c/w bush, M30	21224465 ⁽⁴⁾
5	Trailing arm assembly, c/w bush, M24	21227323 ⁽³⁾
5A	Pivot bush, M30	21222609
5A	Pivot bush, M24	21224663 ⁽³⁾
5B	Shim	21223609
5C	Shim	21222198
5D	Bolt, M16 x 126	21223606
5E	Nut	99527002
6	Pivot bolt, M30 x 200	21222234
6	Pivot bolt, M24 x 195	21222230 ⁽³⁾
7	U bolt, M24 x 315	21222326 ⁽⁴⁾
8	Damper	21224034
8A	Damper bush	DBK1
9	Damper bolt - bottom, M24 x 195	21222230
10	Damper bolt - top, M24 x 250	21222231
11	Airspring	21222673FS
12	Bolt, M12 x 55	99526000
13	Spring washer, M12	99510003
14	U bolt nut, M24	21222243
15	U bolt washer, M24	21222923
16	Pivot nut, M30	99527003
16	Pivot nut, M24	99527004 ⁽³⁾
17	Pivot washer, M30	99513008
17	Pivot washer, M24	99513007 ⁽³⁾
18	Damper nut, M24	99527004
19	Damper washer, M24	99513007
20	Nut, M12	99527000
21	Washer, M12	99513006
24	Tracking bush, eccentric*, M30	21222221
24	Tracking bush, eccentric*, M24	21228663 ⁽³⁾
25	Tracking bush, concentric*, M30	21222287
25	Tracking bush, concentric*, M24	21228664 ⁽³⁾
26	Wear plate, tracked, M30	21222223
26	Wear plate, untracked, M30	21222690
26	Wear plate, tracked, M24	21224386 ⁽³⁾
27	Offset support plate (offset mm)	21222248-52 (95,75,45,30,0)
28	Stud, M16	21222255
29	Nut, M16	99527002
30	Washer, M16	99513009

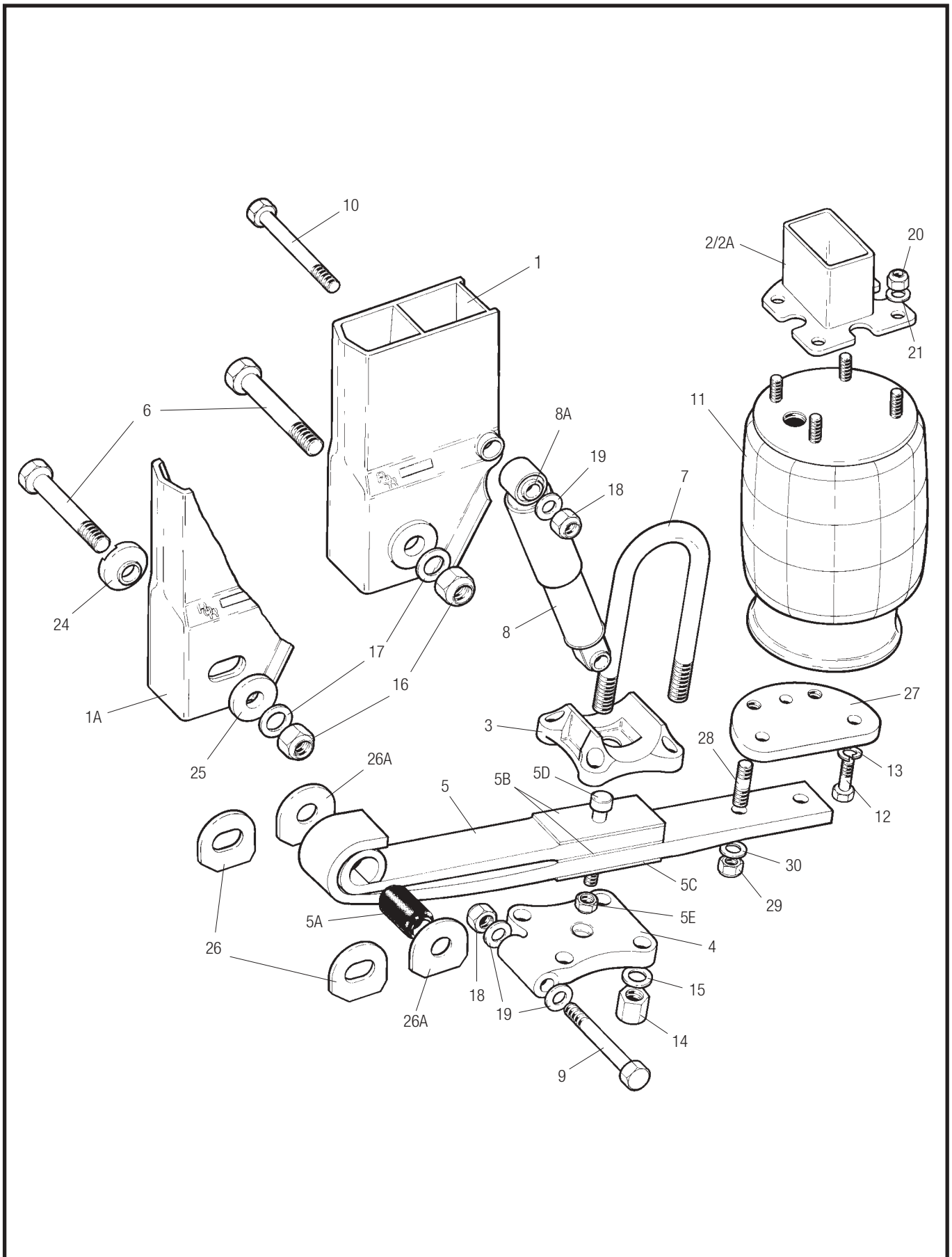
⁽³⁾ After December 2000

⁽⁴⁾ After June 1997

* If the pivot eye tracking is not fitted then tracking bushes are not supplied as they are prewelded to the frame mounting brackets.

Air Suspension Parts List

Flexair FL11000



Air Suspension Parts List

Flexair FL11000



MERITOR™

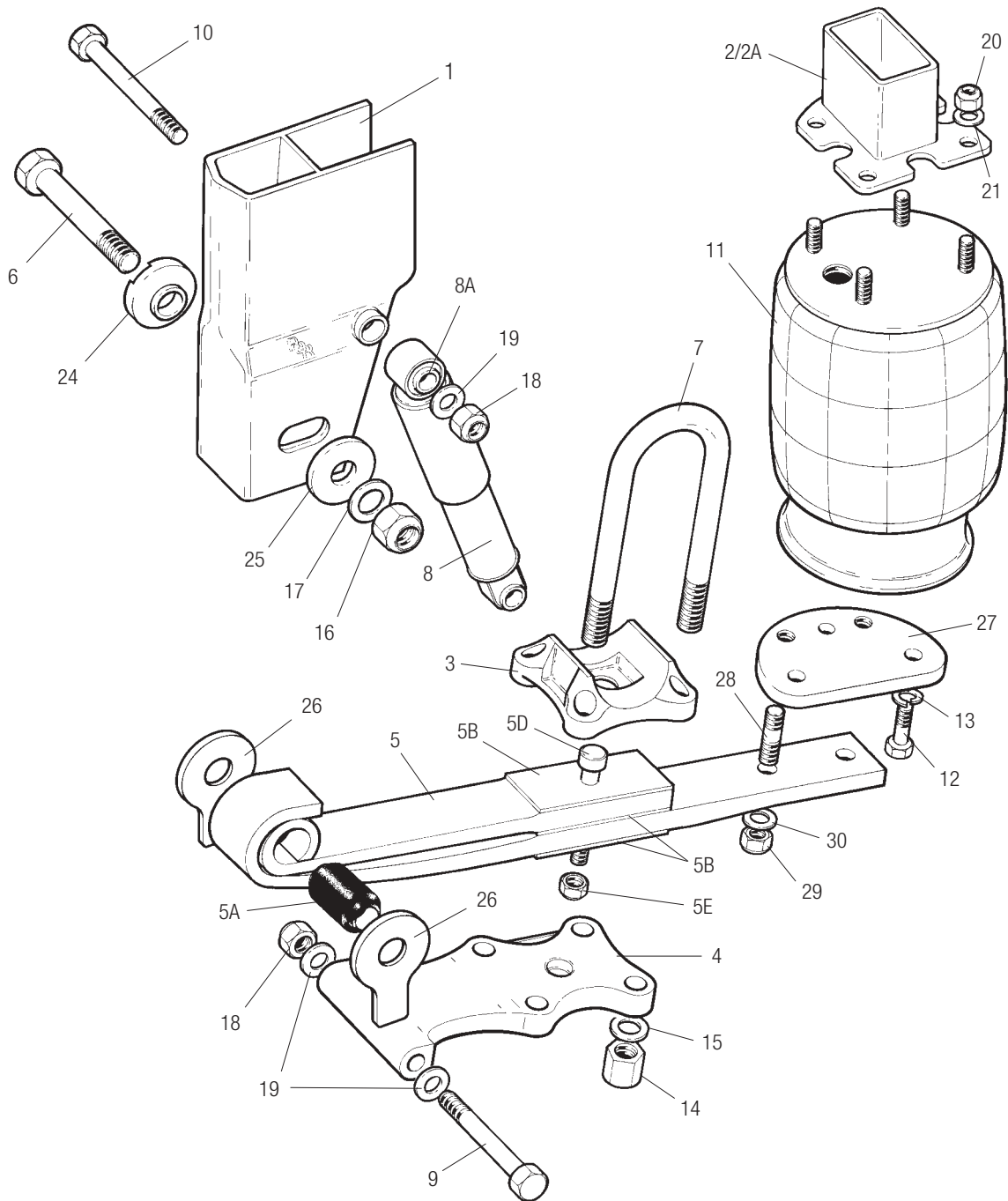
Item	Description	Part Number
1	Frame mounting bracket, untracked, (ride height mm)	21221981-90 (250-475)
1A	Frame mounting bracket, tracked L/H, (ride height mm)	21221981L-90L (250-475)
1A	Frame mounting bracket, tracked R/H, (ride height mm)	21221981R-90R (250-475)
1	Frame mounting bracket, untracked, (ride height mm)	21222716-25 (250-475) ⁽²⁾
1A	Frame mounting bracket, tracked L/H, (ride height mm)	21222716L-25L (250-475) ⁽²⁾
1A	Frame mounting bracket, tracked R/H, (ride height mm)	21222716R-25R (250-475) ⁽²⁾
2	Airspring pedestal plate, (ride height mm)	21222452 (250)
2A	Airspring pedestal assembly, (ride height mm)	21221994-2002 (275-475)
3	Spring seat	21222262
4	U bolt plate, L/H	21224436
4	U bolt plate, R/H	21224437
5	Trailing arm assembly, c/w bush, M30	21225499
5A	Pivot bush, M30	21222609
5B	Shim	21222198
5C	Shim	21222436
5D	Bolt, M16 x 121	21222196
5E	Nut, M16	99527002
6	Pivot bolt, M30 x 200	21222234
7	U bolt, M24 x 315	21222326
8	Damper	21224034
8	Damper	21224745 ⁽²⁾
8A	Damper bush	DBK1
9	Damper bolt - bottom, M24 x 195	21222230
10	Damper bolt - top, M24 x 250	21222231
11	Airspring	21222239FS
12	Bolt, M12 x 35	99526000
13	Spring washer, M12	99510003
14	U bolt nut, M24	21222243
15	U bolt washer, M24	21222923
16	Pivot nut, M30	99527003
17	Pivot washer, M30	99513008
18	Damper nut, M24	99527004
19	Damper washer, M24	99513007
20	Nut, M12	99527000
21	Washer, M12	99513006
24	Tracking bush, eccentric*, M30	21222221
25	Tracking bush, concentric*, M30	21222287
26	Wear plate, tracked, M30	21222223
26A	Wear plate, untracked, M30	21222690
27	Offset support plate (offset mm)	21222248-52 (95,75,45,30,0)
28	Stud, M16	21222255
29	Nut, M16	99527002
30	Washer, M16	99513009

⁽²⁾ After April 1993

* If the pivot eye tracking is not fitted then tracking bushes are not supplied as they are prewelded to the frame mounting brackets.

Air Suspension Parts List

Flexair FP11000



Air Suspension Parts List

Flexair FP11000

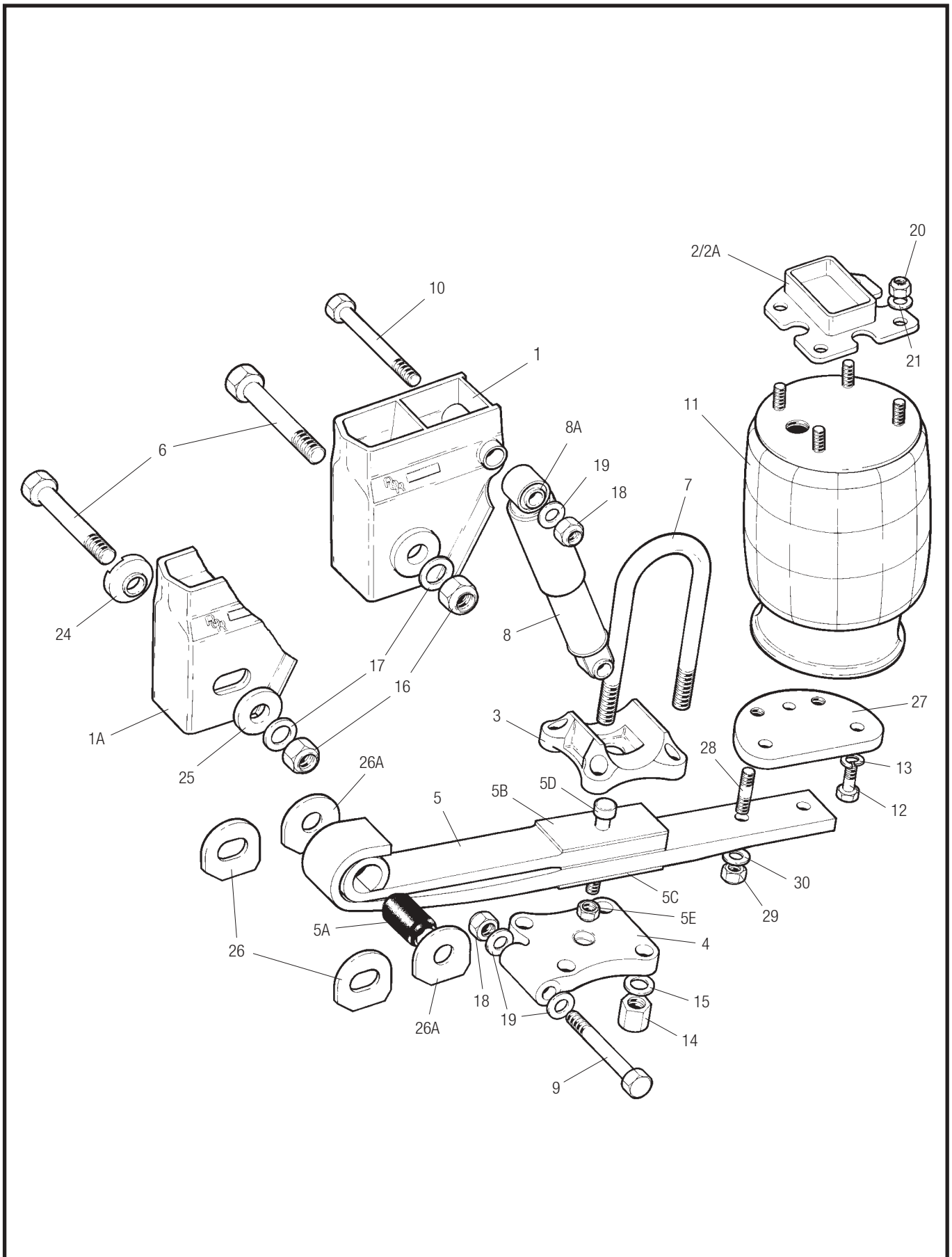


MERITOR™

Item	Description	Part Number
1A	Frame mounting bracket, tracked L/H, (ride height mm)	21226736L-41L (250-500)
1A	Frame mounting bracket, tracked R/H, (ride height mm)	21226736R-41R (250-500)
2	Airspring pedestal plate, (ride height mm)	21222452 (250)
2A	Airspring pedestal assembly, (ride height mm)	21221995 (300)
2A	Airspring pedestal assembly, (ride height mm)	21221997 (350)
2A	Airspring pedestal assembly, (ride height mm)	21221999 (400)
2A	Airspring pedestal assembly, (ride height mm)	21222001 (450)
2A	Airspring pedestal assembly, (ride height mm)	21226487 (500)
3	Spring seat	21222262
4	U bolt plate	21226999
5	Trailing arm assembly, c/w bush, M30	21225499
5A	Pivot bush, M30	21222609
5B	Shim	21222198
5C	Shim	21222198
5D	Bolt, M16 x 121	21222196
5E	Nut, M16	99527002
6	Pivot bolt, M30 x 200	21222234
7	U bolt, M24 x 315	21222326
8	Damper	21226989
9	Damper bolt - bottom, M24 x 300	21222233
10	Damper bolt - top, M24 x 300	21222233
11	Airspring	21222239FS
12	Bolt, M12 x 35	99526000
13	Spring washer, M12	99510003
14	U bolt nut, M24	21222243
15	U bolt washer, M24	21222923
16	Pivot nut, M30	99527003
17	Pivot washer, M30	99513008
18	Damper nut, M24	99527004
19	Damper washer, M24	99513007
20	Nut, M12	99527000
21	Washer, M12	99513006
24	Tracking bush, eccentric*, M30	21227374
25	Tracking bush, concentric*, M30	21227373
26	Wear plate, tracked, M30	21227262
27	Offset support plate (offset mm)	21222248-52 (95,75,45,30,0)
28	Stud, M16	21222255
29	Nut, M16	99527002
30	Washer, M16	99513009

Air Suspension Parts List

Flexair FL11000L



Air Suspension Parts List

Flexair FL11000L



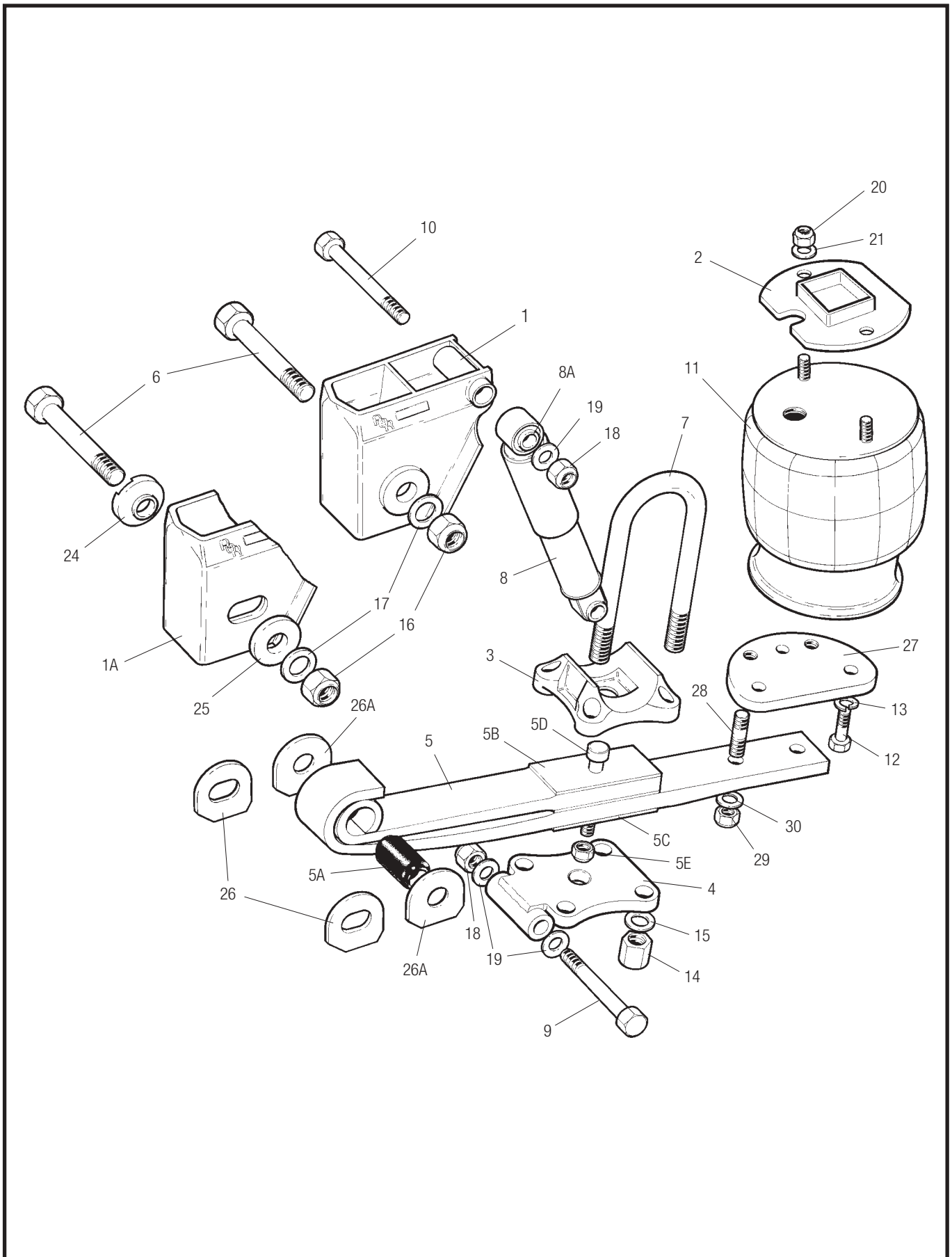
MERITOR™

Item	Description	Part Number
1	Frame mounting bracket, untracked, (ride height mm)	21222714-16 (200-250)
1A	Frame mounting bracket, tracked L/H, (ride height mm)	21222714L-16L (200-250)
1A	Frame mounting bracket, tracked R/H, (ride height mm)	21222714R-16R (200-250)
2	Airspring pedestal plate, (ride height mm)	21222452 (200)
2A	Airspring pedestal assembly, (ride height mm)	21221994-95 (225-250)
3	Spring seat	21222262
4	U bolt plate, L/H	21224436
4	U bolt plate, R/H	21224437
5	Trailing arm assembly, c/w bush, M30	21225499
5A	Pivot bush, M30	21222609
5B	Shim	21222198
5C	Shim	21222436
5D	Bolt, M16 x 121	21222196
5E	Nut, M16	99527002
6	Pivot bolt, M30 x 200	21222234
7	U bolt, M24 x 315	21222326
8	Damper	21224745
8A	Damper bush	DBK1
9	Damper bolt - bottom, M24 x 195	21222230
10	Damper bolt - top, M24 x 250	21222231
11	Airspring	21208082FS
12	Bolt, M12 x 35	99526000
13	Spring washer, M12	99510003
14	U bolt nut, M24	21222243
15	U bolt washer, M24	21222923
16	Pivot nut, M30	99527003
17	Pivot washer, M30	99513008
18	Damper nut, M24	99527004
19	Damper washer, M24	99513007
20	Nut, M12	99527000
21	Washer, M12	99513006
24	Tracking bush, eccentric*, M30	21222221
25	Tracking bush, concentric*, M30	21222287
26	Wear plate, tracked, M30	21222223
26A	Wear plate, untracked, M30	21222690
27	Offset support plate (offset mm)	21222248-52 (95,75,45,30,0)
28	Stud, M16	21222255
29	Nut, M16	99527002
30	Washer, M16	99513009

* If the pivot eye tracking is not fitted then tracking bushes are not supplied as they are prewelded to the frame mounting brackets.

Air Suspension Parts List

Flexair FL11000/150



Air Suspension Parts List

Flexair FL11000/150



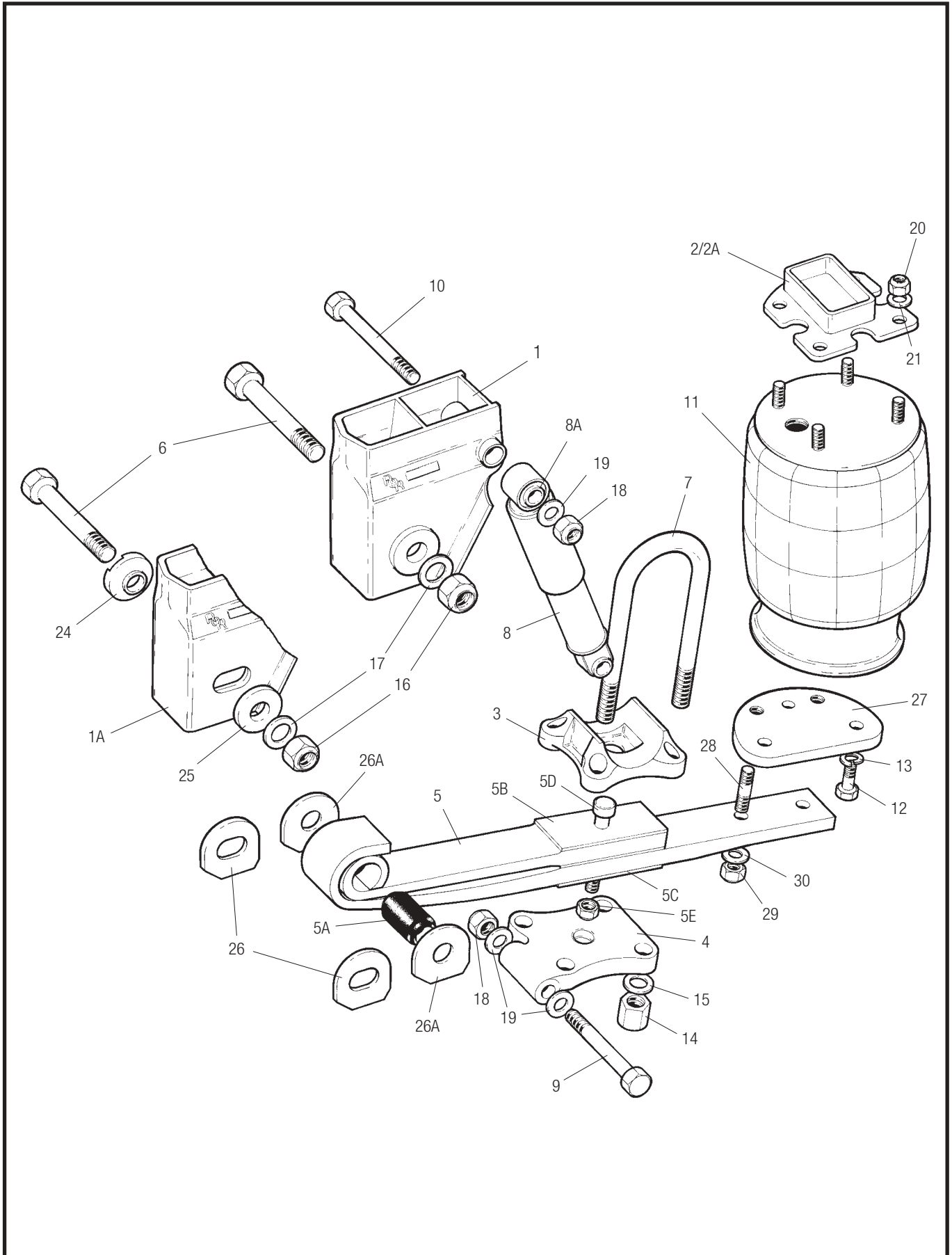
MERITOR™

Item	Description	Part Number
1	Frame mounting bracket, untracked, (ride height mm)	21222714 (150)
1A	Frame mounting bracket, tracked L/H, (ride height mm)	21222714L (150)
1A	Frame mounting bracket, tracked R/H, (ride height mm)	21222714R (150)
2	Airspring pedestal plate, (ride height mm)	21223263 (150)
3	Spring seat	21222262
4	U bolt plate	21223262
5	Trailing arm assembly, c/w bush, M30	21225499
5A	Pivot bush, M30	21222609
5B	Shim	21222198
5C	Shim	21222436
5D	Bolt, M16 x 121	21222196
5E	Nut, M16	99527002
6	Pivot bolt, M30 x 200	21222234
7	U bolt, M24 x 315	21222326
8	Damper	21224745
8A	Damper bush	DBK2
9	Damper bolt - bottom, M24 x 250	21222231
10	Damper bolt - top, M24 x 250	21222231
11	Airspring	21223269FS
12	Bolt, M12 x 25	99526001
13	Spring washer, M12	99510003
14	U bolt nut, M24	21222243
15	U bolt washer, M24	21222923
16	Pivot nut, M30	99527003
17	Pivot washer, M30	99513008
18	Damper nut, M24	99527004
19	Damper washer, M24	99513007
20	Nut, ½" UNC	93400136
21	Washer, ½"	93600072
24	Tracking bush, eccentric*, M30	21222221
25	Tracking bush, concentric*, M30	21222287
26	Wear plate, tracked, M30	21222223
26A	Wear plate, untracked, M30	21222690
27	Offset support plate (offset mm)	21222248-52 (95,75,45,30,0)
28	Stud, M16	21222255
29	Nut, M16	99527002
30	Washer, M16	99513009

* If the pivot eye tracking is not fitted then tracking bushes are not supplied as they are prewelded to the frame mounting brackets.

Air Suspension Parts List

Flexair FL11000D



Air Suspension Parts List

Flexair FL11000D



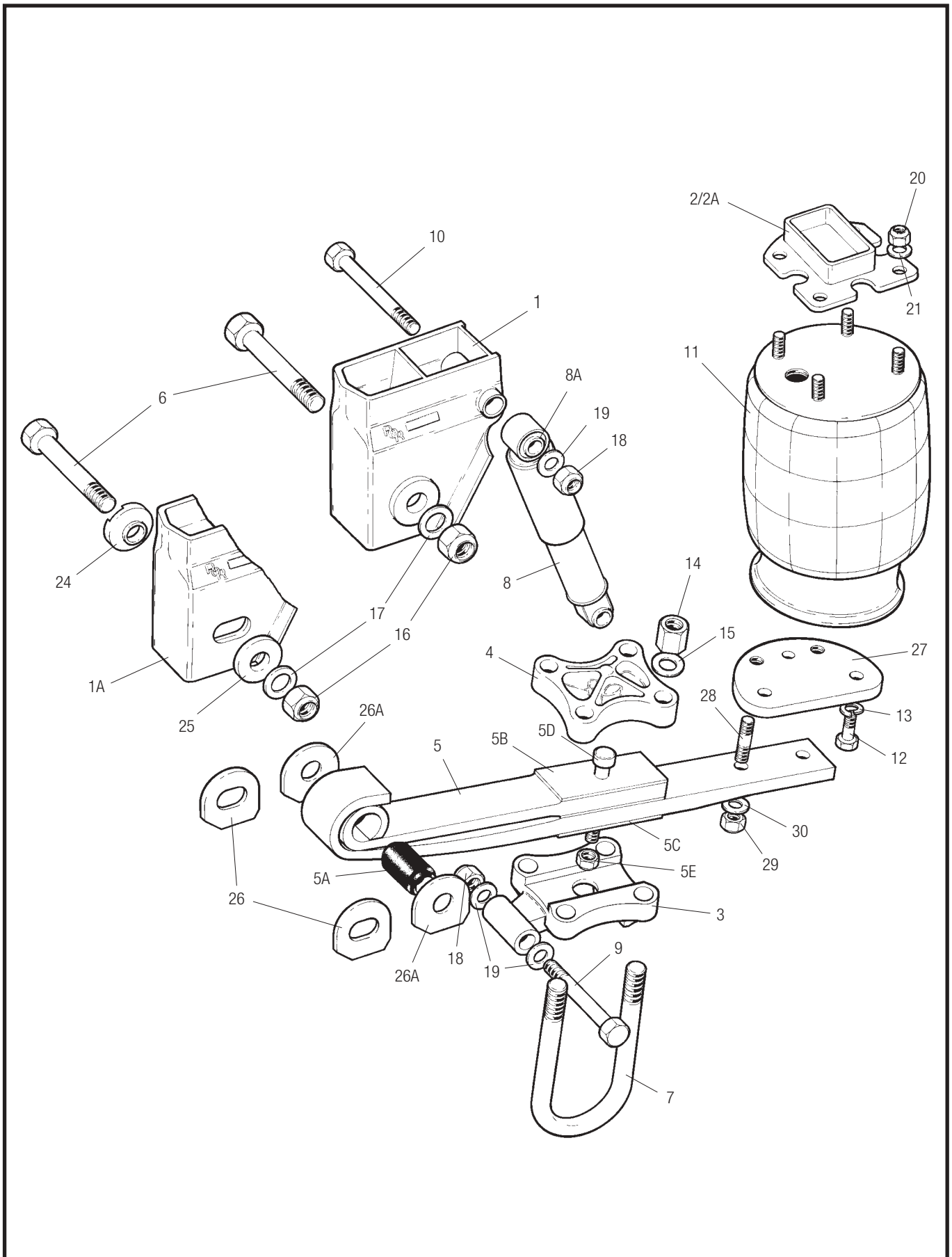
MERITOR™

Item	Description	Part Number
1	Frame mounting bracket, untracked, (ride height mm)	21222715-24 (225-450)
1A	Frame mounting bracket, tracked L/H, (ride height mm)	21222715L-24L (225-450)
1A	Frame mounting bracket, tracked R/H, (ride height mm)	21222715R-24R (225-450)
2	Airspring pedestal plate, (ride height mm)	21222452 (225)
2A	Airspring pedestal assembly, (ride height mm)	21221994-02 (250-450)
3	Spring seat	21222262
4	U bolt plate, L/H	21224436
4	U bolt plate, R/H	21224437
5	Trailing arm assembly, c/w bush, M30	21225499
5A	Pivot bush, M30	21222609
5B	Shim	21222198
5C	Shim	21222436
5D	Bolt, M16 x 121	21222196
5E	Nut, M16	99527002
6	Pivot bolt, M30 x 200	21222234
7	U bolt, M24 x 315	21222326
8	Damper	21224034
8A	Damper bush	DBK1
9	Damper bolt - bottom, M24 x 195	21222230
10	Damper bolt - top, M24 x 250	21222231
11	Airspring	21222673FS
12	Bolt, M12 x 35	99526000
13	Spring washer, M12	99510003
14	U bolt nut, M24	21222243
15	U bolt washer, M24	21222923
16	Pivot nut, M30	99527003
17	Pivot washer, M30	99513008
18	Damper nut, M24	99527004
19	Damper washer, M24	99513007
20	Nut, M12	99527000
21	Washer, M12	99513006
24	Tracking bush, eccentric*, M30	21222221
25	Tracking bush, concentric*, M30	21222287
26	Wear plate, tracked, M30	21222223
26A	Wear plate, untracked, M30	21222690
27	Offset support plate (offset mm)	21222248-52 (95,75,45,30,0)
28	Stud, M16	21222255
29	Nut, M16	99527002
30	Washer, M16	99513009

* If the pivot eye tracking is not fitted then tracking bushes are not supplied as they are prewelded to the frame mounting brackets.

Air Suspension Parts List

Flexair FL11000B



Air Suspension Parts List

Flexair FL11000B



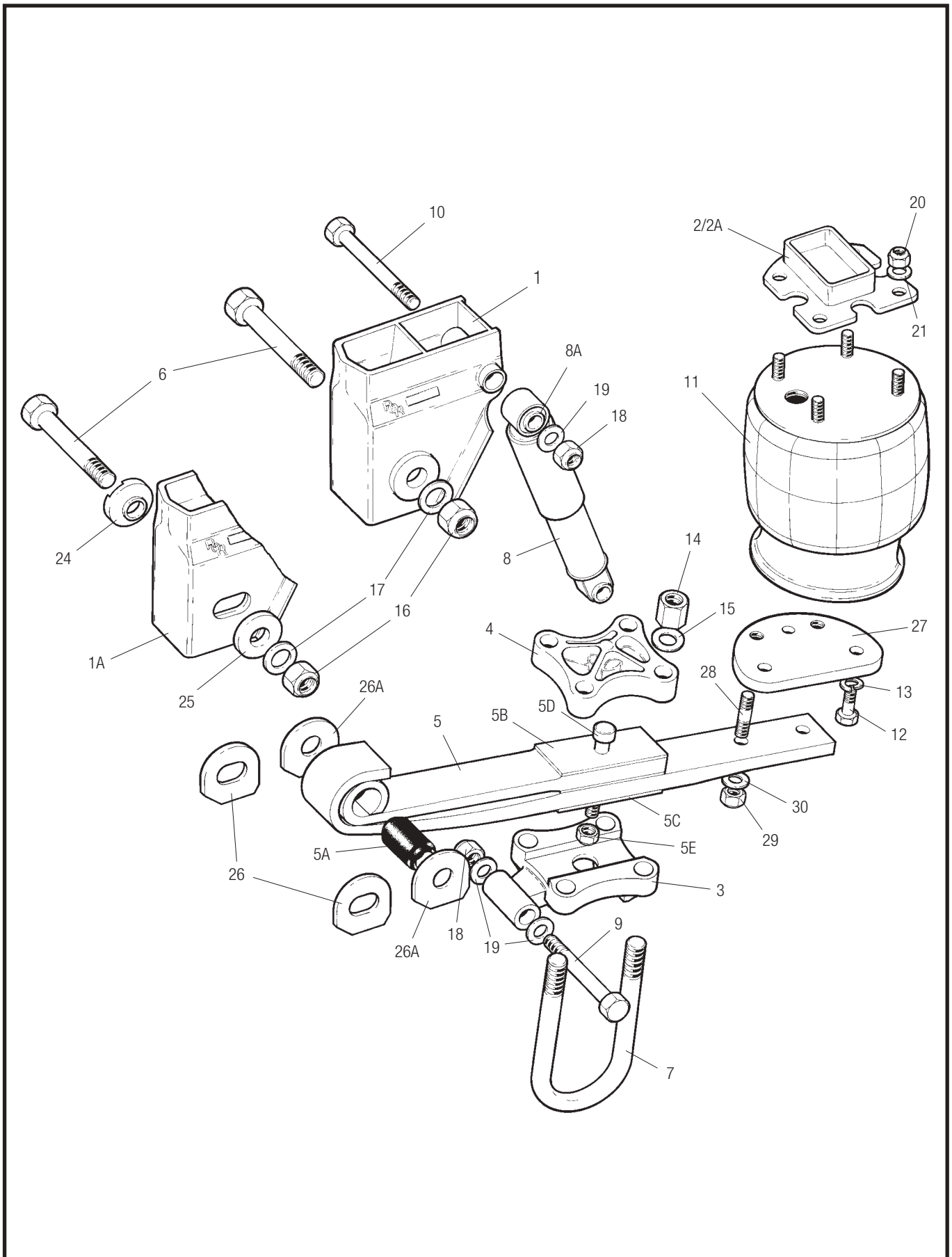
MERITOR™

Item	Description	Part Number
1	Frame mounting bracket, untracked, (ride height mm)	21222716-25 (500-725)
1A	Frame mounting bracket, tracked L/H, (ride height mm)	21222716L-25L (500-725)
1A	Frame mounting bracket, tracked R/H, (ride height mm)	21222716R-25R (500-725)
2	Airspring pedestal plate, (ride height mm)	21222452 (500)
2A	Airspring pedestal assembly, (ride height mm)	21221994-02 (525-725)
3	Spring seat, L/H	21225274L
3	Spring seat, R/H	21225274R
4	U bolt plate	21222395
5	Trailing arm assembly, c/w bush, M30	21225419
5A	Pivot bush, M30	21222609
5B	Shim	21222198
5C	Shim	21222436
5D	Bolt, M16 x 121	21222196
5E	Nut, M16	99527002
6	Pivot bolt, M30 x 200	21222234
7	U bolt, M24 x 315	21222326
8	Damper	21224745
8A	Damper bush	DBK2
9	Damper bolt - bottom, M24 x 195	21222230
10	Damper bolt - top, M24 x 250	21222231
11	Airspring	21222239FS
12	Bolt, M12 x 35	99526000
13	Spring washer, M12	99510003
14	U bolt nut, M24	21222243
15	U bolt washer, M24	21222923
16	Pivot nut, M30	99527003
17	Pivot washer, M30	99513008
18	Damper nut, M24	99527004
19	Damper washer, M24	99513007
20	Nut, M12	99527000
21	Washer, M12	99513006
24	Tracking bush, eccentric*, M30	21222221
25	Tracking bush, concentric*, M30	21222287
26	Wear plate, tracked, M30	21222223
26A	Wear plate, untracked, M30	21222690
27	Offset support plate (offset mm)	21222248-52 (95,75,45,30,0)
28	Stud, M16	21222255
29	Nut, M16	99527002
30	Washer, M16	99513009

* If the pivot eye tracking is not fitted then tracking bushes are not supplied as they are prewelded to the frame mounting brackets.

Air Suspension Parts List

Flexair FL11000LB



Air Suspension Parts List

Flexair FL11000LB



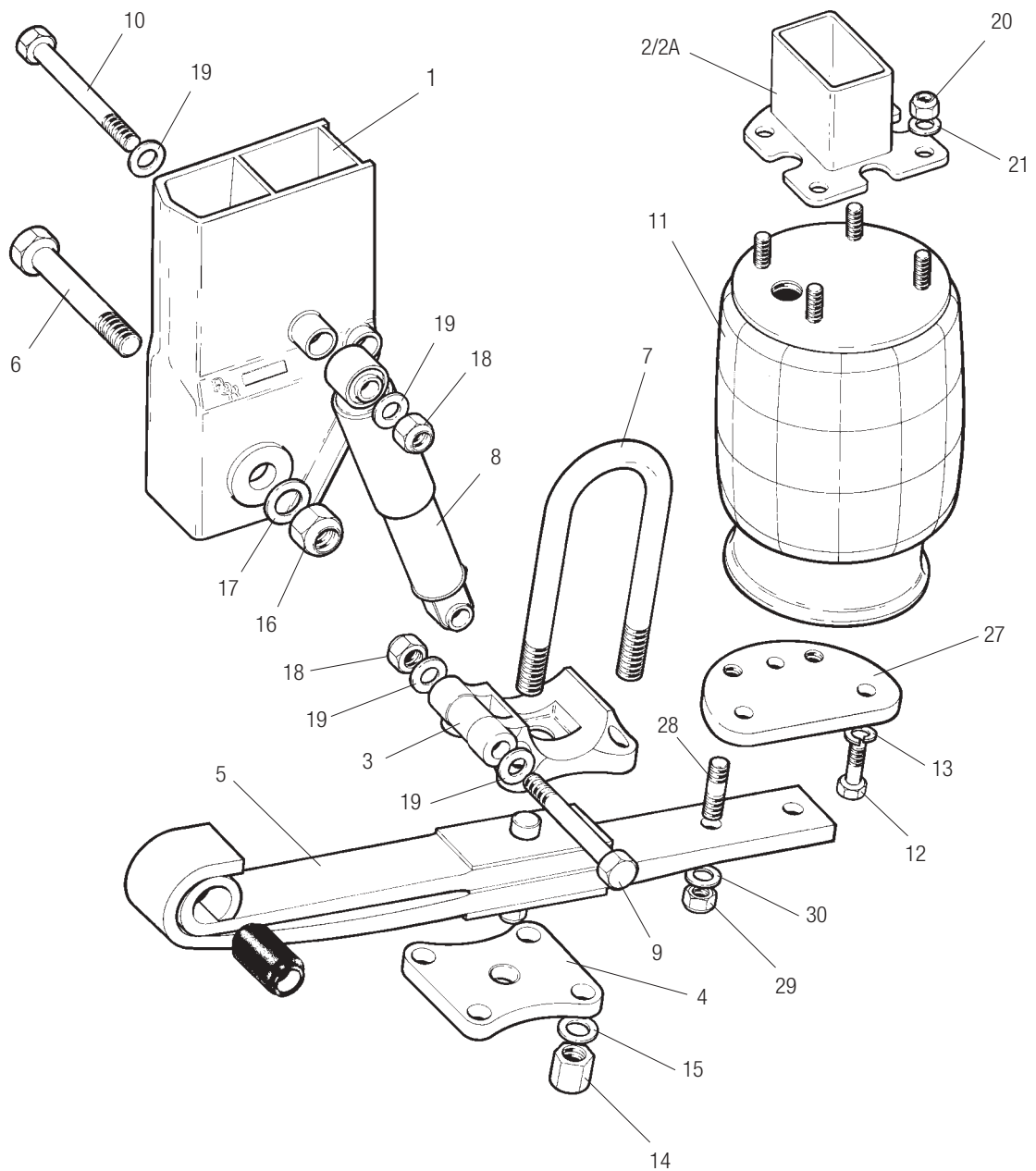
MERITOR™

Item	Description	Part Number
1	Frame mounting bracket, untracked, (ride height mm)	21222714-16 (450-500)
1A	Frame mounting bracket, tracked L/H, (ride height mm)	21222714L-16L (450-500)
1A	Frame mounting bracket, tracked R/H, (ride height mm)	21222714R-16R (450-500)
2	Airspring pedestal plate, (ride height mm)	21222452 (450)
2A	Airspring pedestal assembly, (ride height mm)	21221994-95 (475-500)
3	Spring seat, L/H	21225274L
3	Spring seat, R/H	21225274R
4	U bolt plate	21222395
5	Trailing arm assembly, c/w bush, M30	21225419
5A	Pivot bush, M30	21222609
5B	Shim	21222198
5C	Shim	21222436
5D	Bolt, M16 x 121	21222196
5E	Nut, M16	99527002
6	Pivot bolt, M30 x 200	21222234
7	U bolt, M24 x 315	21222326
8	Damper	21224745
8A	Damper bush	DBK2
9	Damper bolt - bottom, M24 x 195	21222230
10	Damper bolt - top, M24 x 250	21222231
11	Airspring	21208082FS
12	Bolt, M12 x 35	99526000
13	Spring washer, M12	99510003
14	U bolt nut, M24	21222243
15	U bolt washer, M24	21222923
16	Pivot nut, M30	99527003
17	Pivot washer, M30	99513008
18	Damper nut, M24	99527004
19	Damper washer, M24	99513007
20	Nut, M12	99527000
21	Washer, M12	99513006
24	Tracking bush, eccentric*, M30	21222221
25	Tracking bush, concentric*, M30	21222287
26	Wear plate, tracked, M30	21222223
26A	Wear plate, untracked, M30	21222690
27	Offset support plate (offset mm)	21222248-52 (95,75,45,30,0)
28	Stud, M16	21222255
29	Nut, M16	99527002
30	Washer, M16	99513009

* If the pivot eye tracking is not fitted then tracking bushes are not supplied as they are prewelded to the frame mounting brackets.

Air Suspension Parts List

Flexair FL11000CT



Air Suspension Parts List

Flexair FL11000CT

(Suitable for use with Hosta or Tridec)

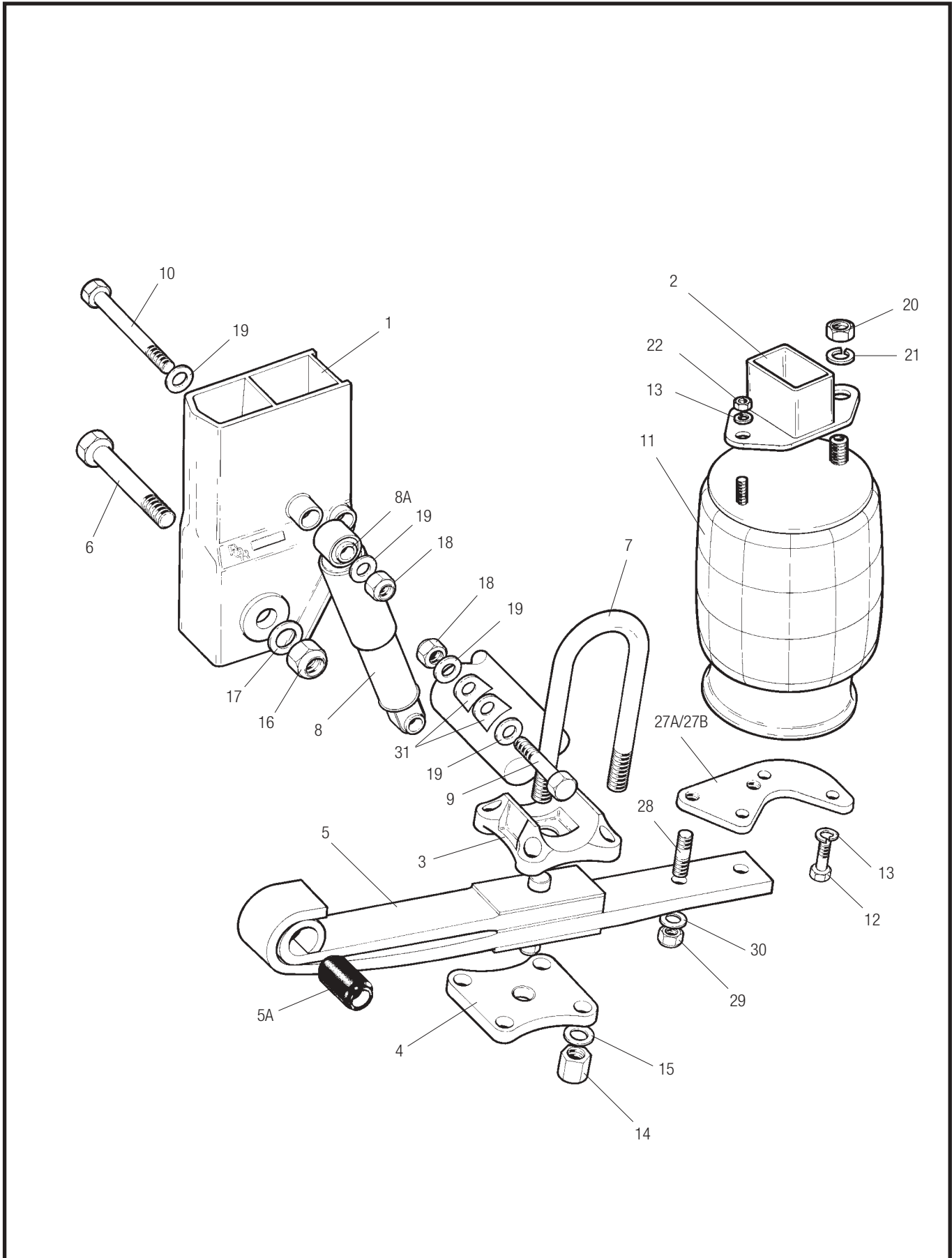


MERITOR™

Item	Description	Part Number
1	Frame mounting bracket, untracked, (ride height mm)	21221981-90 (250-475)
2	Airspring pedestal plate, (ride height mm)	21222452 (250)
2A	Airspring pedestal assembly, (ride height mm)	21221994-02 (275-475)
3	Spring seat	21222399
4	U bolt plate	21222395
5	Trailing arm assembly, c/w bush, M30	21225499
6	Pivot bolt, M30 x 200	21222234
7	U bolt, M24 x 315	21222326
8	Damper	21224745
8A	Damper bush	DBK2
9	Damper bolt - bottom, M24 x 250	21222231
10	Damper bolt - top, M24 x 250	21222231
11	Airspring	21222239FS
12	Bolt, M12 x 35	99526000
13	Spring washer, M12	99510003
14	U bolt nut, M24	21222243
15	U bolt washer, M24	21222923
16	Pivot nut, M30	99527003
17	Pivot washer, M30	99513008
18	Damper nut, M24	99527004
19	Damper washer, M24	99513007
20	Nut, M12	99527000
21	Washer, M12	99513006
27	Offset support plate (offset mm)	21222249 (75)
28	Stud, M16	21222255
29	Nut, M16	99527002
30	Washer, M16	99513009

Air Suspension Parts List

Flexair FL11000CS



Air Suspension Parts List

Flexair FL11000CS

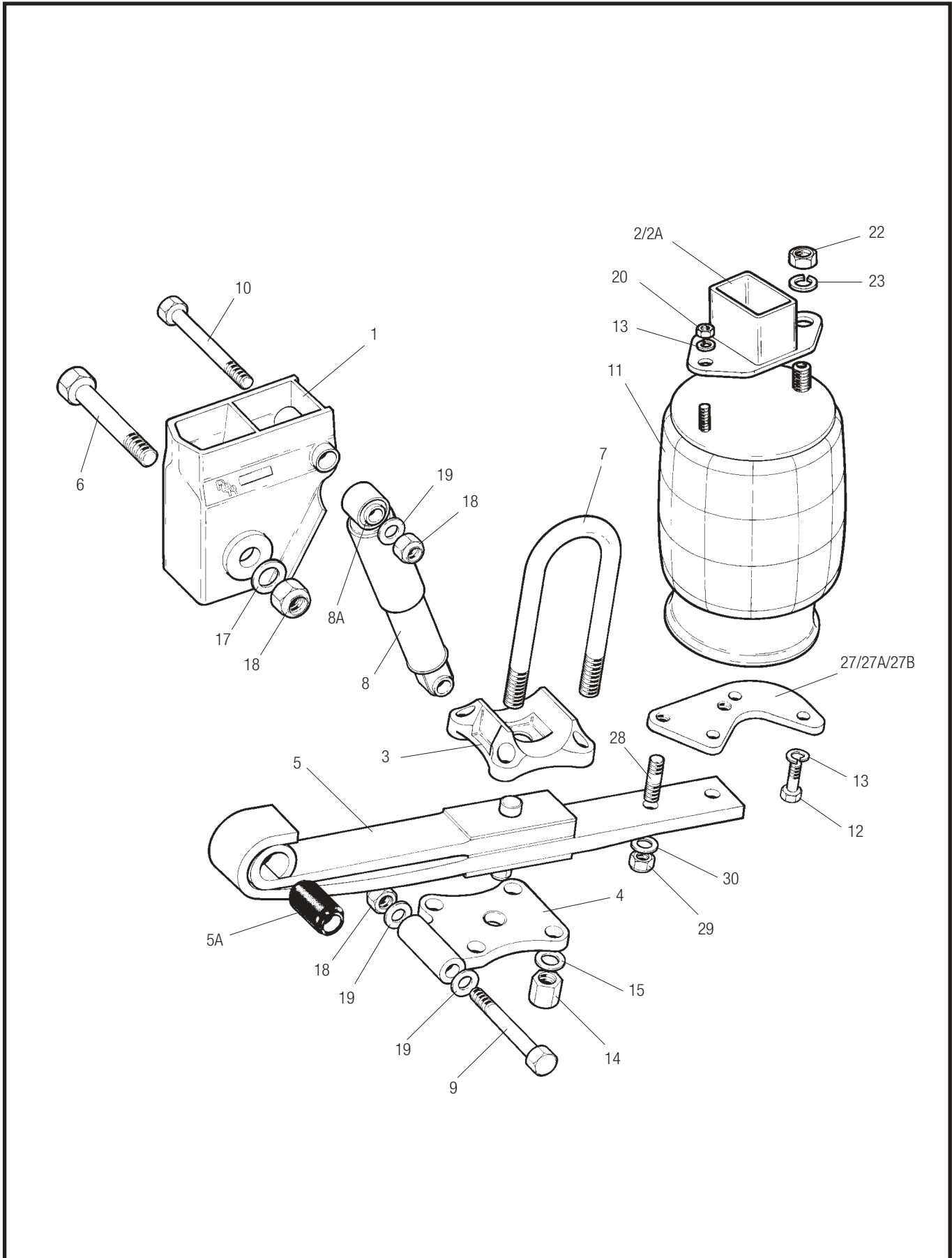


MERITOR™

Item	Description	Part Number
1	Frame mounting bracket, untracked, (ride height mm)	21223703-09 (325-475)
2A	Airspring pedestal assembly, (ride height mm)	21215776-80 (325-425)
2A	Airspring pedestal assembly, (ride height mm)	21215917-18 (450-475)
3	Spring seat	21222262
4	U bolt plate	21222395
5	Trailing arm assembly, c/w bush, M30	21225499
5A	Pivot bush, M30	21222609
6	Pivot bolt, M30 x 200	21222234
7	U bolt, M24 x 315	21222326
8	Damper	21224745
8A	Damper bush	DBK2
9	Damper bolt - bottom, M24 x 110	21208315
10	Damper bolt - top, M24 x 300	21222233
11	Airspring	21215891FS
12	Bolt, M12 x 35	99526000
13	Spring washer, M12	99510003
14	U bolt nut, M24	21222243
15	U bolt washer, M24	21222923
16	Pivot nut, M30	99527003
17	Pivot washer, M30	99513008
18	Damper nut, M24	99527004
19	Damper washer, M24	99513007
20	Nut, M12	99512007
22	Nut, M22	99528001
23	Washer, M22	99510004
27A	Offset support plate, L/H (offset mm)	21215796 (75)
27B	Offset support plate, R/H (offset mm)	21215795 (75)
28	Stud, M16	21222255
29	Nut, M16	99527002
30	Washer, M16	99513009
31	Damper bracket, welded to axle beam	21223701

Air Suspension Parts List

Flexair FL11000LS



Air Suspension Parts List

Flexair FL11000LS

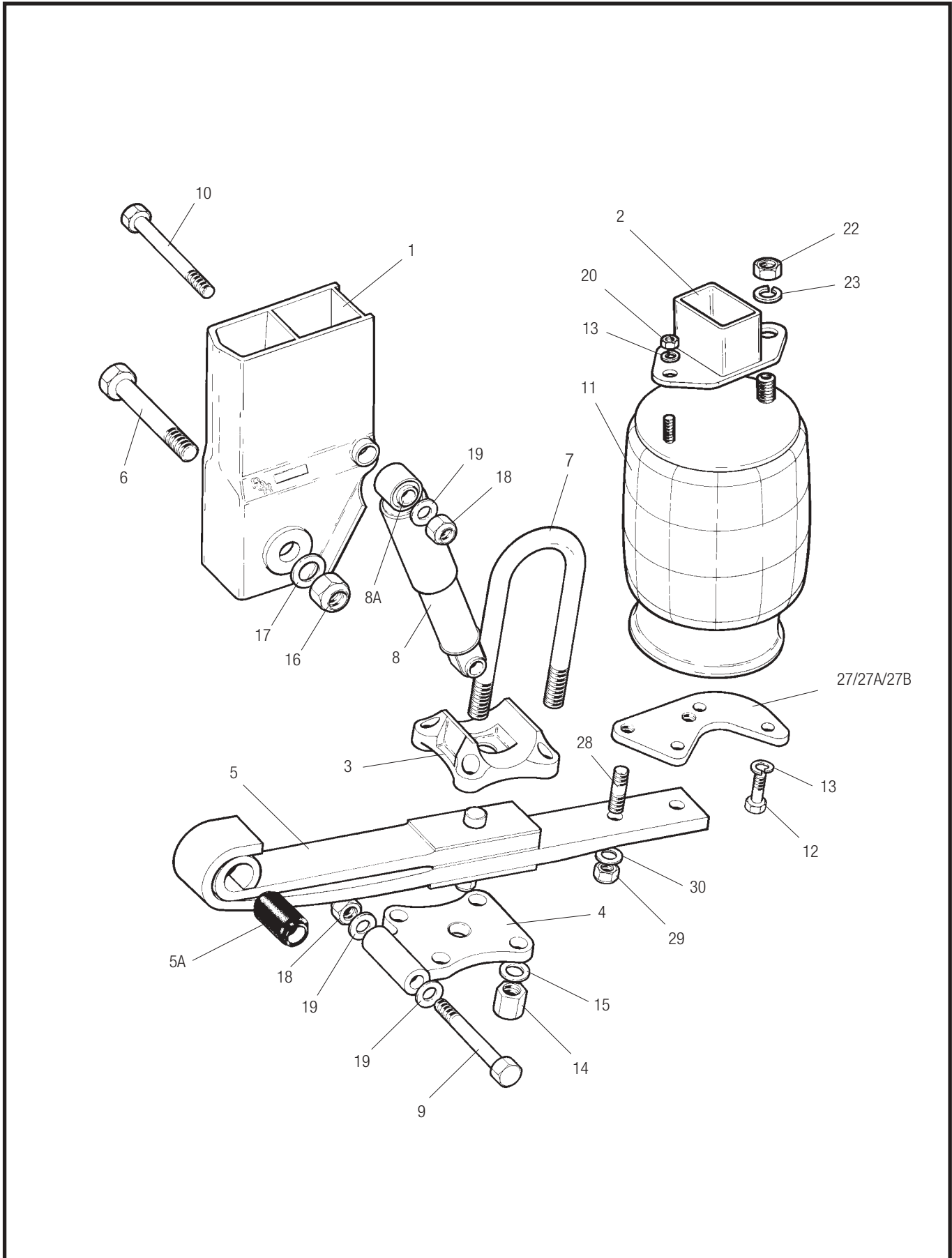


MERITOR™

Item	Description	Part Number
1	Frame mounting bracket, untracked, (ride height mm)	21222714-16 (200-250)
2	Airspring pedestal plate, (ride height mm)	21208858 (200)
2A	Airspring pedestal assembly, (ride height mm)	21215773-4 (225-250)
3	Spring seat	21222262
4	U bolt plate	21224437
5	Trailing arm assembly, c/w bush, M30, UK	21225499
5	Trailing arm assembly, c/w bush, M30, Italia	21215600
6	Pivot bolt, M30 x 200	21222234
7	U bolt, M24 x 315	21222326
8	Damper	21224745
8A	Damper bush	DBK2
9	Damper bolt - bottom, M24 x 195	21222230
10	Damper bolt - top, M24 x 250	21222231
11	Airspring	21215762FS
12	Bolt, M12 x 35	99526000
13	Spring washer, M12	99510003
14	U bolt nut, M24	21222243
15	U bolt washer, M24	21222923
16	Pivot nut, M30	99527003
17	Pivot washer, M30	99513008
18	Damper nut, M24	99527004
19	Damper washer, M24	99513007
20	Nut, M12	99512007
22	Nut, M22	99528001
23	Washer, M22	99510004
27	Offset support plate, UK, (offset mm)	21225420 (0)
27A	Offset support plate, UK, L/H (offset mm)	21215796 (75)
27B	Offset support plate, UK, R/H (offset mm)	21215795 (75)
27	Offset support plate, Italia, (offset mm)	21215794 (0)
27A	Offset support plate, Italia, L/H (offset mm)	21212481D (75)
27B	Offset support plate, Italia, R/H (offset mm)	21212481S (75)
28	Stud, M16	21222255
29	Nut, M16	99527002
30	Washer, M16	99513009

Air Suspension Parts List

Flexair FL11000S



Air Suspension Parts List

Flexair FL11000S



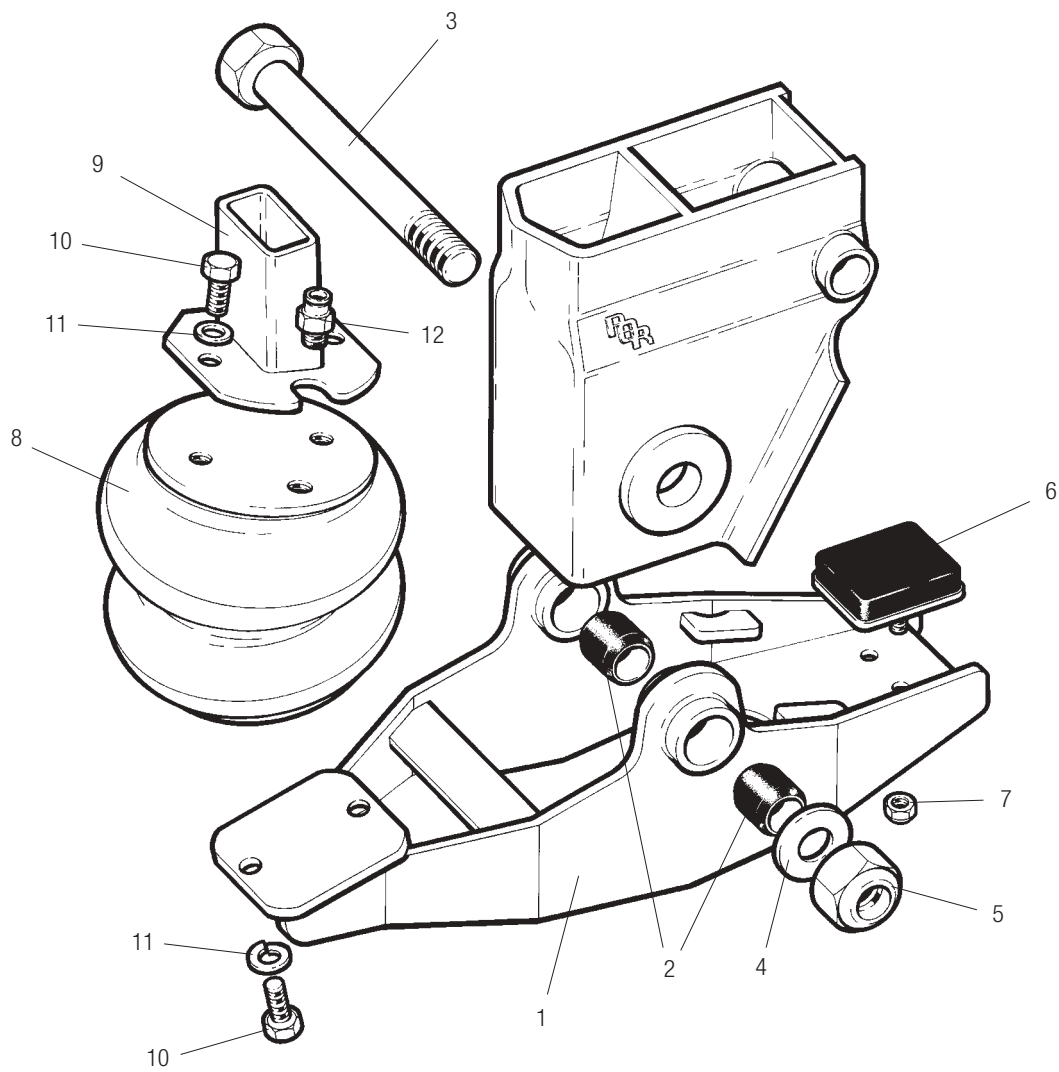
MERITOR™

Item	Description	Part Number
1	Frame mounting bracket, untracked, (ride height mm)	21222716-25 (250-475)
2A	Airspring pedestal assembly, (ride height mm)	21215917-8 (450-475)
3	Spring seat	21222262
4	U bolt plate	21224437
5	Trailing arm assembly, c/w bush, M30, UK	21225499
5	Trailing arm assembly, c/w bush, M30, Italia	21215600
6	Pivot bolt, M30 x 200	21222234
7	U bolt, M24 x 315	21222326
8	Damper	21224745
8A	Damper bush	DBK2
9	Damper bolt - bottom, M24 x 195	21222230
10	Damper bolt - top, M24 x 250	21222231
11	Airspring	21215891FS
12	Bolt, M12 x 35	99526000
13	Spring washer, M12	99510003
14	U bolt nut, M24	21222243
15	U bolt washer, M24	21222923
16	Pivot nut, M30	99527003
17	Pivot washer, M30	99513008
18	Damper nut, M24	99527004
19	Damper washer, M24	99513007
20	Nut, M12	99512007
22	Nut, M22	99528001
23	Washer, M22	99510004
27	Offset support plate, UK, (offset mm)	21225420 (0)
27A	Offset support plate, UK, L/H (offset mm)	21215796 (75)
27B	Offset support plate, UK, R/H (offset mm)	21215795 (75)
27	Offset support plate, Italia, (offset mm)	21215794 (0)
27A	Offset support plate, Italia, L/H (offset mm)	21212481D (75)
27B	Offset support plate, Italia, R/H (offset mm)	21212481S (75)
28	Stud, M16	21222255
29	Nut, M16	99527002
30	Washer, M16	99513009

Air Suspension Parts List

Flexair Axle Lift

Suitable for use with FL9000M and FL11000 suspensions



Air Suspension Parts List

Flexair Axle Lift

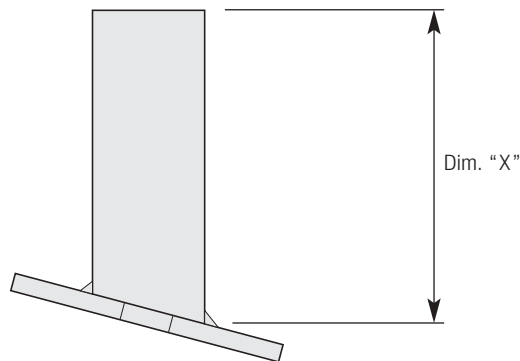
Suitable for use with FL9000M and FL11000 suspensions
 M30 Kit No. 75223971, M24 Kit No. 75223971M24



MERITOR™

Item	Description	Part Number
1	Lift arm, c/w bush, M30	21223968
1	Lift arm, c/w bush, M24	21227215
2	Pivot bush, M30	21223742
2	Pivot bush, M24	21227205
3	Pivot bolt, M30	21223744
3	Pivot bolt, M24	21222233
4	Pivot washer, M30	99513008
4	Pivot washer, M24	99513007
5	Pivot nut, M30	99527003
5	Pivot nut, M24	99527004
6	Rubber pad	21223749
7	Nut, M8	21208424
8	Airspring	21221356
9	Airspring pedestal assy	see table
10	Top/lower airspring screw, M10	99518001
11	Top/lower airspring washer, M10	99510006
12	Stud coupling	21224037

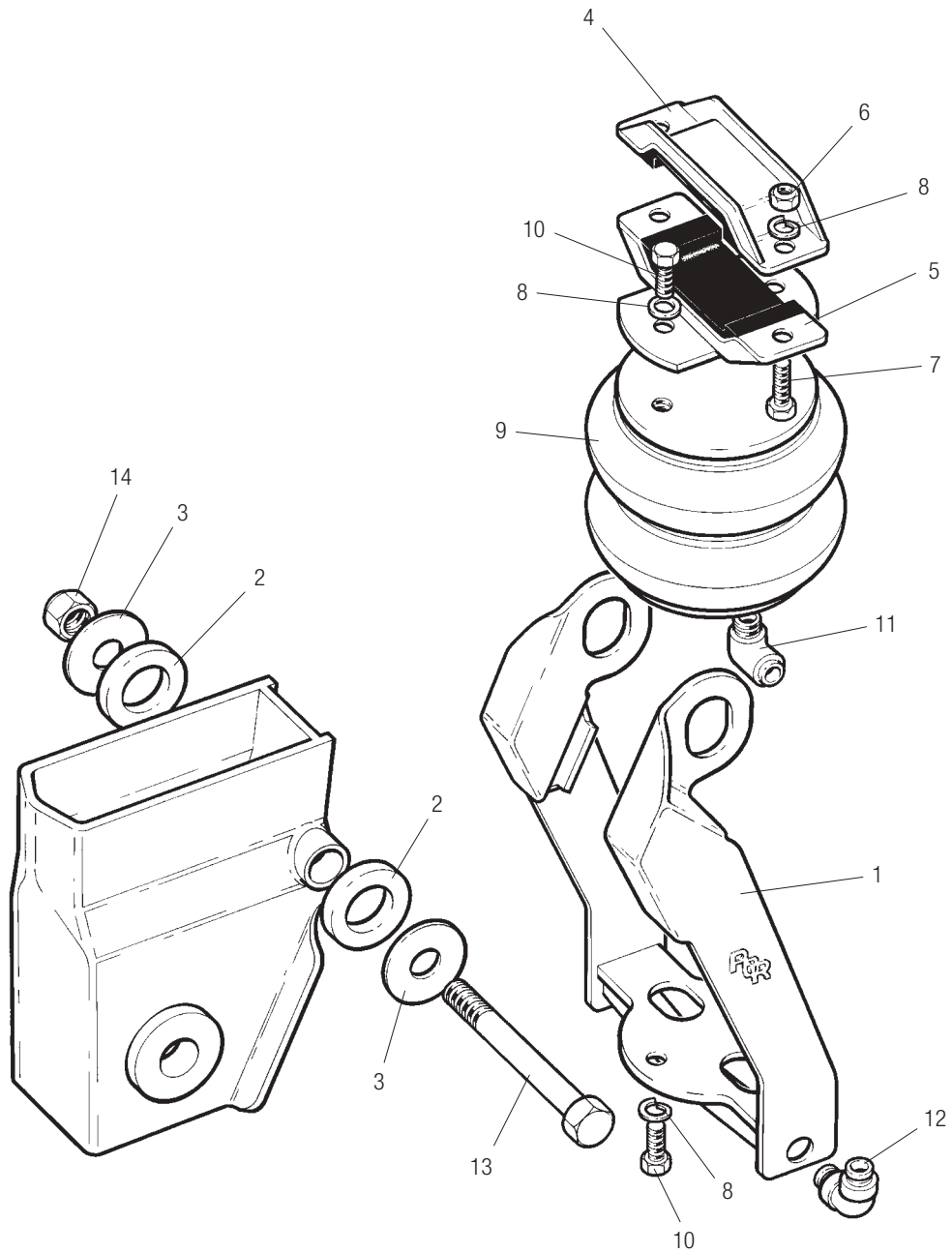
AIR PEDESTAL HEIGHTS						
FL9000M Ride Height	FL9000M L/H Ped Assy Part Number	FL9000M R/H Ped Assy Part Number	FL11000 Ride Height	FL11000 L/H Ped Assy Part Number	FL11000 R/H Ped Assy Part Number	Dim. "X"
—	—	—	200	21224017	21223999	43.0
—	—	—	225	21224018	21224000	68.0
—	—	—	250	21224019	21224001	93.0
228	21224020	21224002	275	21224020	21224002	118.0
253	21224021	21224003	300	21224021	21224003	143.0
278	21224022	21224004	325	21224022	21224004	168.0
303	21224023	21224005	350	21224023	21224005	193.0
—	—	—	375	21224024	21224006	218.0
—	—	—	400	21224025	21224007	243.0
—	—	—	425	21224026	21224008	268.0
—	—	—	450	21224027	21224009	293.0
—	—	—	475	21224028	21224010	318.0



Air Suspension Parts List

Dual Side Cradle Lift

Suitable for use with FL9000 and FL9000L suspensions



Air Suspension Parts List

Dual Side Cradle Lift

Suitable for use with FL9000 and FL9000L suspensions
Kit No. 95223188

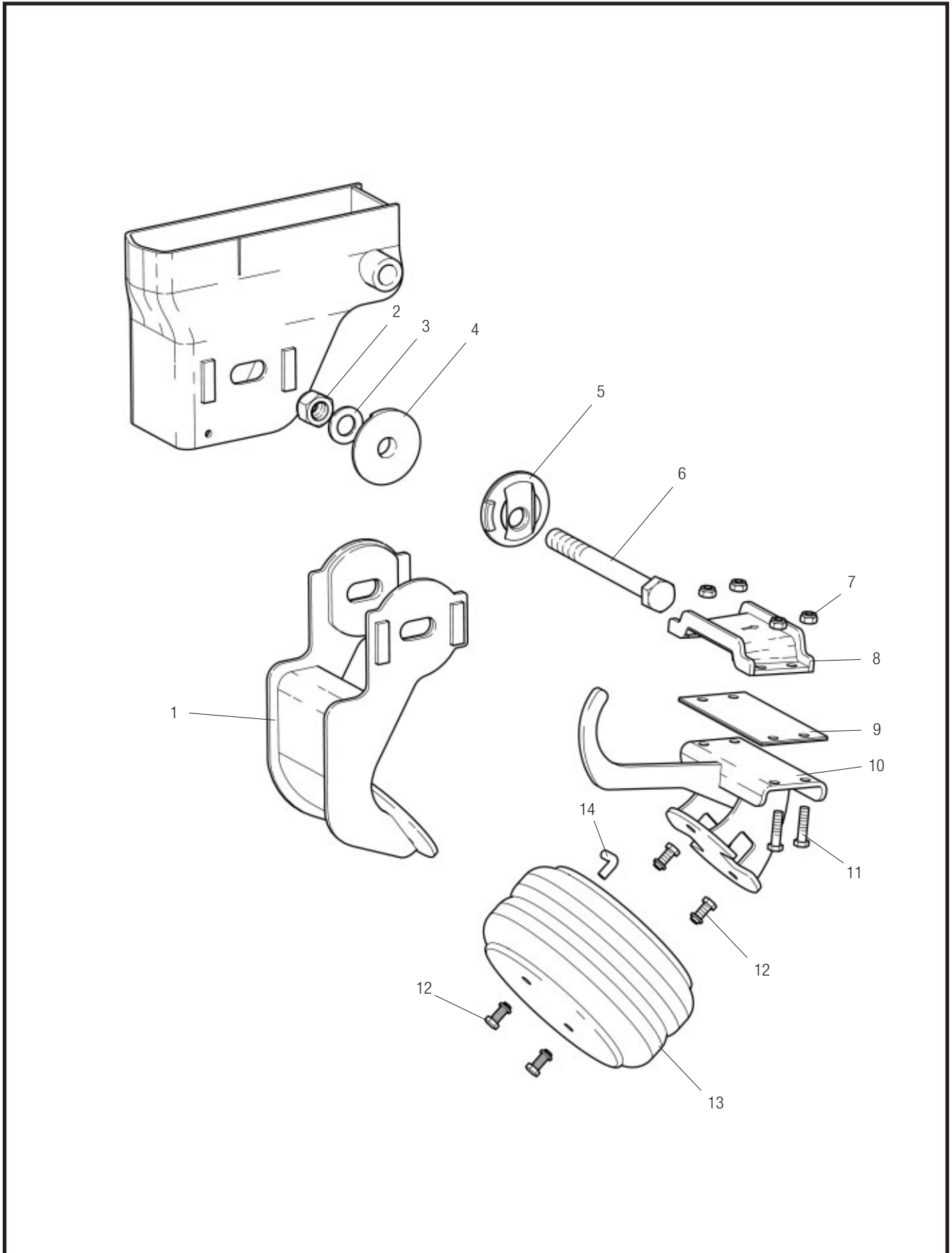


Item	Description	Part Number
1	Cradle assembly	21223183
2	Spacer tube	21223186
3	M24 Form D washer	99542001
4	Clamp (top half)	21223173
5	Clamp (bottom half)	21223172
6	Nut, M10	99527005
7	Screw, M10 x 40	99518004
8	Spring washer, M10	99510006
9	Airspring	21222663
10	Screw, M10 x 25	99518001
11	Stud elbow adaptor	21223053
12	Elbow adaptor	21223190
13	Bolt, M24 x 250	21222231
14	Nut, M24	99527006

Air Suspension Parts List

Flexair NB Axle Lift (tracked only)

Suitable for use with Flexair NB tracked type suspensions



Air Suspension Parts List

Flexair NB Axle Lift (tracked only)

Suitable for use with Flexair NB tracked type suspensions
Kit No. 75227256



Item	Description	Part Number
1	Lift welded assembly, R/H	21227251 RH
1	Lift welded assembly, L/H	21227251 LH
2	Pivot nut, M24	99527004
3	Pivot washer, M24	99513007
4	Tracking bush, eccentric*, M24	21228663
5	Tracking bush, concentric*, M24	21228664
6	Pivot bolt, M24 x 225	212161895
7	Nut, M10	99527005
8	Top clamp	21227273
9	Clamp shim	21227274
10	Clamp welded assembly	21227257
11	Bolt, M10 x 40	99518004
12	Screw, M10 x 25	99518001
13	Airspring	21222663
14	Elbow adaptor	21223190

* Not supplied

Air Suspension Parts List

Warranty

A comprehensive network of original parts distributors and service stations operate throughout Europe; this is supported internationally with agents strategically placed around the world.

All Meritor replacement parts obtained through original parts distributors are covered by a one year warranty.

For full warranty terms and conditions see 'Meritor Warranty Terms and Conditions' Publication No 4.84.1

Meritor reserve the right to make changes in specifications shown herein or add improvements at any time without notice or obligation.

PARTS SHOWN IN THIS SPARES LIST ARE MADE FROM DRAWINGS IN WHICH COPYRIGHT SUBSISTS. THE MAKING OF COPIES OF ANY OF THESE PARTS IS PROHIBITED.

© Meritor HVS Limited



The high quality assurance management systems applied by Meritor are endorsed with the awarding of ISO 9001, Lloyd's Register Quality Assurance.

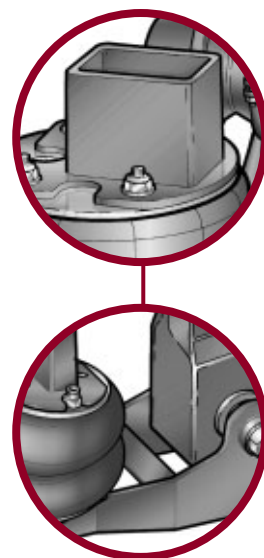
Air Suspension Parts List



Air Suspension Parts List

Air Suspension Parts List





ArvinMeritor

Commercial Vehicle Aftermarket AG
Neugutstrasse 89
8600 Dübendorf
Switzerland
Tel: +41 (0)44 824 82 00
Fax: +41 (0)44 824 82 65

ArvinMeritor

Commercial Vehicle Aftermarket Ltd.
Park Lane, Great Alne, Alcester
Warwickshire B49 6HT
U.K.
Tel: 0845 606 7733
Fax: 0845 606 8844

www.arvinmeritor.com

Descriptions and specifications were in effect at the time of publication and are subject to change without notice or liability. Meritor reserve the right to make design improvements, change or discontinue parts at any time.

© Copyright 2004
Meritor Automotive
All rights Reserved

Issued 08-04
Publication CVA-4.95.2

ArvinMeritor™