

**Z.F.**  
Gearbox

**EURO**

**95**

**CATALOGUE**  
**Z.F.**

**FILE**

**95CBM059.pdf**

**SIZE**

**2,11MB**

**No. PAGES**

**22**

**RELEASE**

**04/2007**

**MODELS**

**ECOSPLIT II 1313**

**16S150 R.13,80-0,84**

**16S150 R.16,47-1,00**

**Updated**  
**2007**

**GROUP**  
**Gearbox**

**Options**

**ONLY FOR CD-ROM CATALOGUES**



Home



Group



Back

%

Zoom  
Select



Print



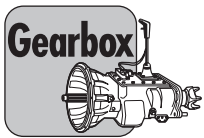
Page  
Search



Catalogue  
Search

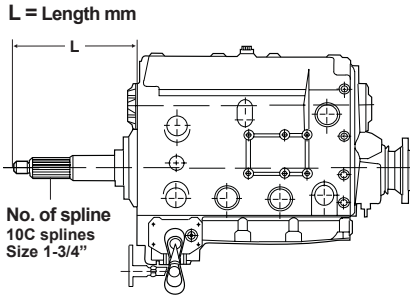


Exit

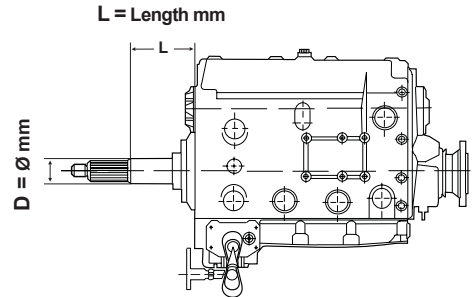


# GEARBOX: 16S150

## Input Shaft Technical Specification



## Front Cover Technical Specification

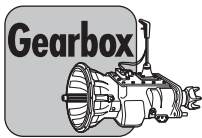


**Tab 1 - Input Shaft Table**

Our No.	TP	Input Shaft No.	Ratio	Teeth	Sizes	Cover No.	Clutch Type
95570221		1313 202 013	All	--	L=286 SAE 10C 2"	1312 302 036	
						1312 302 052	F&S MFZ430
		1313 202 014	All	--	L=310 SAE 10C 2"	1312 302 047	
						1312 302 054	VALEO 430DTE2300
95570988	■	1313 202 015	All	--	L=260 SAE 10C 2"	1312 302 096	
		1313 202 016	All	--	L=232,2 50X2X10E		
95531463	■	1313 202 017	All	--	L=320 SAE 10C 2"	1312 302 054	F&S GF2 380KR
		1313 202 018	All	--	L=320 SAE 10C 2"	1312 302 081	
		1313 202 019	Short Type	--			
		1313 202 023	All	--	L=328 SAE 10C 2"	1312 302 054	F&S GF2 380KR
		1313 221 004	All	--	L=367,6 SAE 10C 2"		
		1313 221 006	All	--	L=397,6 SAE 10C 2"		F&S GF2 380N

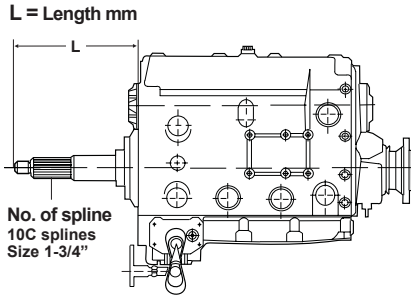
**Tab 2 - Front Cover Table**

Fig.	Our No. TP	Cover No.	Input Shaft No.	Ratio	Sizes	Clutch Type
1	95530461	1312 302 036	1313 202 013	All	L=170 D=60	
1		1312 302 047	1313 202 014	All	L=170 D=62,61	
1		1312 302 052	1313 202 013	All	L=180 D=66	F&S MFZ 430
1	95531621	1312 202 054	1313 202 014	All	L=190 D=62	VALEO 430DTE2300
			1313 202 017	All	L=190 D=62	F&S GF2 380KR
			1313 202 023	All	L=190 D=62	F&S GF2 380KR
1		1312 302 081	1313 202 018	All	L=190 D=60	
1		1312 302 096	1313 202 015	All	L=147 D=60	

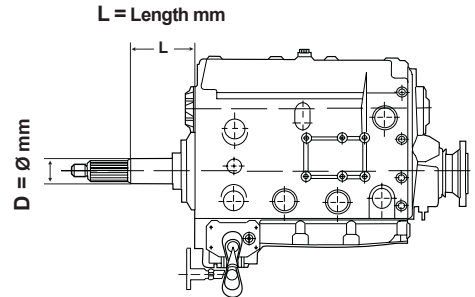


# GEARBOX: 16S150

## Input Shaft Technical Specification



## Front Cover Technical Specification

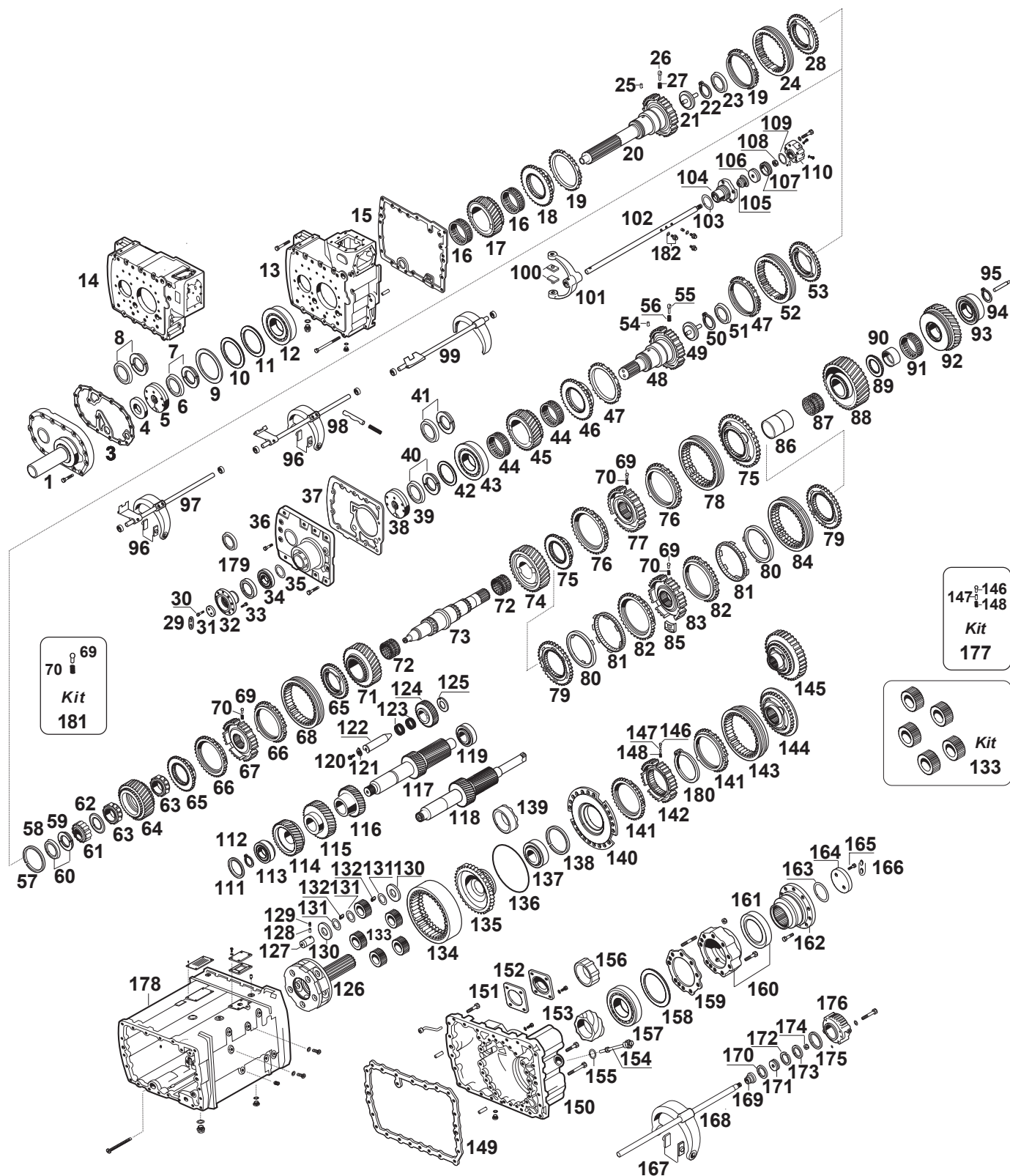
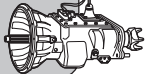


**Tab 1 - Input Shaft Table**

Our No.	TP	Input Shaft No.	Ratio	Teeth	Sizes	Cover No.	Clutch Type
95570221		1313 202 013	All	--	L=286 SAE 10C 2"	1312 302 036	
						1312 302 052	F&S MFZ430
		1313 202 014	All	--	L=310 SAE 10C 2"	1312 302 047	
						1312 302 054	VALEO 430DTE2300
95570988	■	1313 202 015	All	--	L=260 SAE 10C 2"	1312 302 096	
		1313 202 016	All	--	L=232,2 50X2X10E		
95531463	■	1313 202 017	All	--	L=320 SAE 10C 2"	1312 302 054	F&S GF2 380KR
		1313 202 018	All	--	L=320 SAE 10C 2"	1312 302 081	
		1313 202 019	Short Type	--			
		1313 202 023	All	--	L=328 SAE 10C 2"	1312 302 054	F&S GF2 380KR
		1313 221 004	All	--	L=367,6 SAE 10C 2"		
		1313 221 006	All	--	L=397,6 SAE 10C 2"		F&S GF2 380N

**Tab 2 - Front Cover Table**

Fig.	Our No. TP	Cover No.	Input Shaft No.	Ratio	Sizes	Clutch Type
1	95530461	1312 302 036	1313 202 013	All	L=170 D=60	
1		1312 302 047	1313 202 014	All	L=170 D=62,61	
1		1312 302 052	1313 202 013	All	L=180 D=66	F&S MFZ 430
1	95531621	1312 202 054	1313 202 014	All	L=190 D=62	VALEO 430DTE2300
			1313 202 017	All	L=190 D=62	F&S GF2 380KR
			1313 202 023	All	L=190 D=62	F&S GF2 380KR
1		1312 302 081	1313 202 018	All	L=190 D=60	
1		1312 302 096	1313 202 015	All	L=147 D=60	



OPTIONS



Fig.	Our No.	Part No.	Description	Note	TP	AB-R. 13,80-0,84	CD-R. 16,47-1,00													
1		SEE TAB 2 FRONT COVER																		
3	95534112	1313 302 014	GASKET		■	■	■													
4	95531973	0734 310 387	OIL SEAL 55X75X8		●	■	■													
4		0634 310 733	OIL SEAL 90X110X13	(1)		■	■													
5	95530817	1295 202 041	OIL PUMP			■	■													
6	95570167	0730 061 816	LOCK RING			■	■													
7		1295 202 046	RING			■	■													
8	95570712	0730 106 164	SPLIT RING T.4,10 MM	OLD	■	■	■													
8		1499 298 131	SPLIT RING T.4,10 MM	NEW		■	■													
8	95570714	0730 106 166	SPLIT RING T.4,20 MM	OLD	■	■	■													
8		1499 298 133	SPLIT RING T.4,20 MM	NEW		■	■													
8	95570716	0730 106 168	SPLIT RING T.4,30 MM	OLD	■	■	■													
8		1499 298 135	SPLIT RING T.4,30 MM	NEW		■	■													
9		2050 309 066	SPACER T.0,50 MM			■	■													
9		2050 309 065	SPACER T.1,00 MM			■	■													
10	95531379	0730 102 503	SPACER T.0,50 MM	(1)	■	■	■													
10		0730 103 806	SPACER T.1,00 MM	(1)		■	■													
11		0730 005 581	RING	(1)		■	■													
12	98530094	0750 117 431	BEARING 75X150X30,5		●	■	■													
13		1295 301 289	HOUSING			■	■													
13		1295 301 294	HOUSING	(2)OLD		■	■													
13		1295 301 291	HOUSING	NEW		■	■													
14		1296 301 202	HOUSING			■	■													
14		1296 301 205	FRONT HOUSING	(3)OLD		■	■													
14		1296 301 206	HOUSING	NEW		■	■													
15	95534107	1313 301 038	GASKET		■	■	■													
16	98530346	0750 115 310	NEEDLE BEARING 93X101X25		■	■	■													
17	95570222	1313 302 036	CONSTANT GEAR 34 T.	AB		■														
17	95570560	1313 302 035	CONSTANT GEAR 30 T.	CD			■													
18	95570220	1312 304 027	SYNCHRONIZER CONE			■	■													
19	95570202	1297 304 402	SYNCHRONIZER RING	OLD TYPE		■	■													
19	95531072	1297 304 484	SYNCHRONIZER RING	NEW TYPE		■	■													
20	95570221	1313 202 013	INPUT SHAFT			■	■													
20		1313 202 014	INPUT SHAFT			■	■													
20	95570988	1313 202 015	INPUT SHAFT 57 T.		■	■	■													

**Notes / Note :**

- (1) ONLY FOR INPUT SHAFT 1313 221 004 / 1313 221 006
- (2) REPLACED BY 1 PC 1295 301 291 + 1 PC 0634 801 055 (not illustrated) + 1 PC 0636 304 054 (not illustrated)
- (3) REPLACED BY 1 PC 1295 301 206 + 1 PC 0634 801 055 (not illustrated) + 1 PC 0636 304 054 (not illustrated)
- (4) ONLY FOR PNEUMATIC VERSION
- (5) REPLACED BY 1 PC 1296 301 130 + 1 PC 0636 304 049 (not illustrated) + 1 PC 0730 008 637 (not illustrated)
- (6) REPLACED BY 1 PC 1296 301 130 + 1 PC 0730 008 637 (not illustrated) + 2 PCS 0636 302 021 (not illustrated) + 2 PCS 0634 801 055 (not illustrated) + 1 PC 0636 304 049 (not illustrated)
- (\*)-(@)-(\$)-(&) TO BE COUPLED TOGETHER
- (A) SHORT TRAVEL SYNCHRO - RATIO 13,80-0,84
- (B) DOUBLE CONE SYNCHRO - RATIO 13,80-0,84
- (C) SHORT TRAVEL SYNCHRO - RATIO 16,47-1,00
- (D) DOUBLE CONE SYNCHRO - RATIO 16,47-1,00

Continued

Fig.	Our No.	Part No.	Description	Note	TP	AB-R. 13,80-0,84	CD-R. 16,47-1,00													
20		1313 202 016	INPUT SHAFT			■	■													
20	95531463	1313 202 017	INPUT SHAFT 57 T.		■	■	■													
20		1313 202 018	INPUT SHAFT			■	■													
20		1313 202 023	INPUT SHAFT			■	■													
20		1313 221 004	INPUT SHAFT			■	■													
20		1313 221 006	INPUT SHAFT			■	■													
21	95570681	1315 302 196	TUBE		NSS	■	■													
22	95570682	0630 502 027	SEEGER RING DIN472 50X2		NSS	■	■													
23	95570683	0501 314 060	DIAPHRAGM		●	■	■													
24	95570219	1310 304 202	SLIDING SLEEVE 3RD/4TH SP			■	■													
25	95531079	0635 470 012	ROLLER DIN 5402 D.7X7		●	■	■													
26	95570574	1297 304 436	SLIDE	3 pcs.		■	■													
27	95570470	0732 040 409	PRESSURE SPRING	3 pcs.		■	■													
28	95570241	1312 304 056	SYNCHRONIZER CONE			■	■													
29	95533119	1269 302 164	SHEET STEEL		■	■														
30	95532017	0636 015 226	SCREW		■	■														
31		1269 302 065	WASHER			■														
32		1297 302 288	FLANGE D.175 - 8 HOLES			■														
33	95532393	0734 300 140	OIL SEAL 70X90X10		■	■														
34		0750 117 651	BEARING 50X90X24,7			■														
35		0730 104 225	WASHER T.3,00 MM			■														
35		0730 104 819	WASHER T.3,50 MM			■														
35		0730 104 230	WASHER T.4,00 MM			■														
36		1295 302 100	HOUSING			■														
37		1313 302 044	GASKET			■														
38	95530817	1295 202 041	OIL PUMP			■														
39	95570167	0730 061 816	LOCK RING			■														
40		1295 202 046	RING			■														
41	95570712	0730 106 164	SPLIT RING T.4,10 MM	OLD	■	■														
41		1499 298 131	SPLIT RING T.4,10 MM	NEW		■														
41	95570714	0730 106 166	SPLIT RING T.4,20 MM	OLD	■	■														
41		1499 298 133	SPLIT RING T.4,20 MM	NEW		■														
41	95570716	0730 106 168	SPLIT RING T.4,30 MM	OLD	■	■														
41		1499 298 135	SPLIT RING T.4,30 MM	NEW		■														
42		2050 309 066	SPACER T.0,50 MM			■														

**Notes / Note :**

- (1) ONLY FOR INPUT SHAFT 1313 221 004 / 1313 221 006
- (2) REPLACED BY 1 PC 1295 301 291 + 1 PC 0634 801 055 (not illustrated) + 1 PC 0636 304 054 (not illustrated)
- (3) REPLACED BY 1 PC 1295 301 206 + 1 PC 0634 801 055 (not illustrated) + 1 PC 0636 304 054 (not illustrated)
- (4) ONLY FOR PNEUMATIC VERSION
- (5) REPLACED BY 1 PC 1296 301 130 + 1 PC 0636 304 049 (not illustrated) + 1 PC 0730 008 637 (not illustrated)
- (6) REPLACED BY 1 PC 1296 301 130 + 1 PC 0730 008 637 (not illustrated) + 2 PCS 0636 302 021 (not illustrated) + 2 PCS 0634 801 055 (not illustrated) + 1 PC 0636 304 049 (not illustrated)
- (\*)-(@)-(\$)-(&) TO BE COUPLED TOGETHER
- (A) SHORT TRAVEL SYNCHRO - RATIO 13,80-0,84
- (B) DOUBLE CONE SYNCHRO - RATIO 13,80-0,84
- (C) SHORT TRAVEL SYNCHRO - RATIO 16,47-1,00
- (D) DOUBLE CONE SYNCHRO - RATIO 16,47-1,00

Continued

Our Parts are not original but perfectly interchangeable with the O.E.M ones. All original equipment manufacturers' names, numbers, symbols and descriptions used in this catalogue are for reference purposes only.

Tutti i nostri particolari non sono originali ma con essi intercambiabili. Tutti i riferimenti dei costruttori originali sono usati a semplice titolo indicativo.

Fig.	Our No.	Part No.	Description	Note	TP	AB-R. 13,80-0,84	CD-R. 16,47-1,00													
42		2050 309 065	SPACER T.1,00 MM			■														
43	<b>98530094</b>	0750 117 431	BEARING 75X150X30,5		●	■														
44	98530346	0750 115 310	NEEDLE BEARING 93X101X25		■	■														
45	<b>95570222</b>	1313 302 036	CONSTANT GEAR 34 T.			■														
46	<b>95570220</b>	1312 304 027	SYNCHRONIZER CONE			■														
47	<b>95570202</b>	1297 304 402	SYNCHRONIZER RING	OLD TYPE		■														
47	<b>95531072</b>	1297 304 484	SYNCHRONIZER RING	NEW TYPE		■														
48		1313 202 019	INPUT SHAFT			■														
49	95570681	1315 302 196	TUBE		NSS	■														
50	95570682	0630 502 027	SEEGER RING DIN472 50X2		NSS	■														
51	<b>95570683</b>	0501 314 060	DIAPHRAGM		●	■														
52	<b>95570219</b>	1310 304 202	SLIDING SLEEVE 3RD/4TH SP			■														
53	<b>95570241</b>	1312 304 056	SYNCHRONIZER CONE			■														
54	<b>95531079</b>	0635 470 012	ROLLER DIN 5402 D.7X7		●	■														
55	<b>95570574</b>	1297 304 436	SLIDE	3 pcs.		■														
56	<b>95570470</b>	0732 040 409	PRESSURE SPRING	3 pcs.		■														
57	95532126	0730 005 466	LOCK RING T.3,60 MM		■	■														
57	95531552	0730 005 468	LOCK RING T.4,00 MM		■	■														
58	95531369	0730 062 781	LOCK RING		■	■														
59		1312 204 040	RING			■														
60		0730 107 019	SPLIT RING T.4,60 MM	OLD		■														
60		1499 298 023	SPLIT RING T.4,60 MM	NEW		■														
60	95531559	0730 107 023	SPLIT RING T.5,00 MM	OLD	■	■														
60		1499 298 027	SPLIT RING T.5,00 MM	NEW		■														
61	<b>98530174</b>	0750 117 232	NEEDLE BEARING 42X40,3		●	■														
62	95531554	1315 304 051	WASHER S.8,30 MM		■	■														
63	<b>98530189</b>	0750 118 198	NEEDLE BEARING 67X101X32		●	■														
64	<b>95570223</b>	1313 304 005	GEAR 4TH SPEED 30 T.	AB		■														
64	95570891	1296 304 131	GEAR 4TH SPEED 34 T.	CD	■	■														
65	<b>95570220</b>	1312 304 027	SYNCHRONIZER CONE			■														
65	<b>95531631</b>	1316 304 145	SYNCHRONIZER CONE 3RD/4TH (*)			■														
65	<b>95534409</b>	1316 304 159	SYNCHRONIZER CONE 3RD/4TH (@)			■														
66	<b>95570202</b>	1297 304 402	SYNCHRONIZER RING	OLD TYPE		■														
66	<b>95531072</b>	1297 304 484	SYNCHRONIZER RING	NEW TYPE		■														
66	<b>95531628</b>	1316 304 149	SYNCHRONIZER RING	(*)	●	■														

**Notes / Note :**

- (1) ONLY FOR INPUT SHAFT 1313 221 004 / 1313 221 006
- (2) REPLACED BY 1 PC 1295 301 291 + 1 PC 0634 801 055 (not illustrated) + 1 PC 0636 304 054 (not illustrated)
- (3) REPLACED BY 1 PC 1295 301 206 + 1 PC 0634 801 055 (not illustrated) + 1 PC 0636 304 054 (not illustrated)
- (4) ONLY FOR PNEUMATIC VERSION
- (5) REPLACED BY 1 PC 1296 301 130 + 1 PC 0636 304 049 (not illustrated) + 1 PC 0730 008 637 (not illustrated)
- (6) REPLACED BY 1 PC 1296 301 130 + 1 PC 0730 008 637 (not illustrated) + 2 PCS 0636 302 021 (not illustrated) + 2 PCS 0634 801 055 (not illustrated) + 1 PC 0636 304 049 (not illustrated)
- (\*)-(@)-(\$)-(&) TO BE COUPLED TOGETHER
- (A) SHORT TRAVEL SYNCHRO - RATIO 13,80-0,84
- (B) DOUBLE CONE SYNCHRO - RATIO 13,80-0,84
- (C) SHORT TRAVEL SYNCHRO - RATIO 16,47-1,00
- (D) DOUBLE CONE SYNCHRO - RATIO 16,47-1,00

Continued

Fig.	Our No.	Part No.	Description	Note	TP	AB-R. 13,80-0,84	CD-R. 16,47-1,00													
66	95534389	1316 304 168	SYNCHRONIZER RING	(@)	●	■	■													
67	95570839	1312 304 052	SYNCHRONIZER HUB 3RD/4TH			■	■													
67	95531633	1316 304 147	SYNCHRONIZER HUB 3RD/4TH	(*)		■	■													
67	95534410	1316 304 162	SYNCHRONIZER HUB 3RD/4TH	(@)		■	■													
68	95570219	1310 304 202	SLIDING SLEEVE 3RD/4TH SP			■	■													
68	95531632	1315 304 135	SLIDING SLEEVE	(*)		■	■													
68	95532442	1316 304 167	SLIDING SLEEVE	(@)	●	■	■													
69	95570574	1297 304 436	SLIDE	3 pcs.		■	■													
70	95570470	0732 040 409	PRESSURE SPRING	3 pcs.		■	■													
71	95570892	1313 304 080	GEAR 3RD SPEED 32 T.	AB		■														
71		1313 304 081	GEAR 3RD SPEED 34 T.	CD			■													
72	98530190	0735 321 087	NEEDLE BEARING 92X100X53W		■	■	■													
73	95531244	1315 304 130	MAIN SHAFT 24 T.			■	■													
74	95570894	1313 304 078	GEAR 2ND SPEED 37 T.	AB		■														
74		1313 304 077	GEAR 2ND SPEED 38 T.	CD			■													
75	95570224	1313 304 009	SYNCHRONIZER CONE	AC		■	■													
75	95531630	1316 304 146	SYNCHRONIZER CONE 1ST/2ND	(§)		■	■													
75	95534407	1316 304 156	SYNCHRONIZER CONE 1ST/2ND	(&)		■	■													
76	95570217	1297 304 401	SYNCHRONIZER RING	AC-OLD T.		■	■													
76	95531085	1297 304 485	SYNCHRONIZER RING	AC-NEW T.		■	■													
76	95531629	1316 304 150	SYNCHRONIZER RING RH	(§)		■	■													
76	95534388	1316 304 170	SYNCHRONIZER RING LH	(&)	●	■	■													
77	95570896	1313 304 008	SYNCHRONIZER HUB	AC		■	■													
77	95531634	1316 304 148	SYNCHRONIZER HUB 1ST/2ND	(§)		■	■													
77	95534408	1316 304 163	SYNCHRONIZER HUB 1ST/2ND	(&)		■	■													
78	95570218	1316 304 078	SLIDING SLEEVE 1ST/2ND	AC		■	■													
78	95531627	1315 304 136	SLIDING SLEEVE	(§)		■	■													
78	95534379	1316 304 169	SLIDING SLEEVE	(&)	●	■	■													
79	95570642	1312 304 106	SYNCHRONIZER CONE	BD		■	■													
80	95570599	1268 304 424	SYNCHRONIZER CONE	BD		■	■													
81	95570600	1268 304 494	SYNCHRONIZER RING	BD	●	■	■													
82	95570601	1268 304 525	SYNCHRONIZER RING	BD		■	■													
83	95570551	1312 304 158	SYNCHRONIZER HUB	BD		■	■													
84	95570555	1310 304 175	SLIDING SLEEVE	BD		■	■													
85	95570643	1312 304 159	SLIDING BLOCK	BD-3 pcs.		■	■													

**Notes / Note :**

- (1) ONLY FOR INPUT SHAFT 1313 221 004 / 1313 221 006
- (2) REPLACED BY 1 PC 1295 301 291 + 1 PC 0634 801 055 (not illustrated) + 1 PC 0636 304 054 (not illustrated)
- (3) REPLACED BY 1 PC 1295 301 206 + 1 PC 0634 801 055 (not illustrated) + 1 PC 0636 304 054 (not illustrated)
- (4) ONLY FOR PNEUMATIC VERSION
- (5) REPLACED BY 1 PC 1296 301 130 + 1 PC 0636 304 049 (not illustrated) + 1 PC 0730 008 637 (not illustrated)
- (6) REPLACED BY 1 PC 1296 301 130 + 1 PC 0730 008 637 (not illustrated) + 2 PCS 0636 302 021 (not illustrated) + 2 PCS 0634 801 055 (not illustrated) + 1 PC 0636 304 049 (not illustrated)
- (\*)-(@)-(§)-(&) TO BE COUPLED TOGETHER
- (A) SHORT TRAVEL SYNCHRO - RATIO 13,80-0,84
- (B) DOUBLE CONE SYNCHRO - RATIO 13,80-0,84
- (C) SHORT TRAVEL SYNCHRO - RATIO 16,47-1,00
- (D) DOUBLE CONE SYNCHRO - RATIO 16,47-1,00

Continued



Fig.	Our No.	Part No.	Description	Note	TP	AB-R. 13,80-0,84	CD-R. 16,47-1,00													
86	95570898	1313 304 038	BUSH			■	■													
87	98530192	0750 115 325	NEEDLE BEARING 96X104X55W		■	■	■													
88	95570899	1313 304 039	GEAR 1ST SPEED 44 T	AB		■														
88		1313 304 070	GEAR 1ST SPEED	CD			■													
89		1313 304 037	FOLLOWER RING			■	■													
90	95570974	1315 304 132	BUSH			■	■													
91	98530318	0750 115 324	NEEDLE BEARING 90X98X41		■	■	■													
92	95570975	1313 304 042	REVERSE GEAR 39 T.	AB		■														
92		1313 304 041	REVERSE GEAR 38 T.	CD			■													
93	98530170	0750 117 677	BEARING 80X130X36		●	■	■													
94		0630 501 312	SEEGER RING T.3,10 MM			■	■													
94		0630 501 316	SEEGER RING T.3,50 MM			■	■													
95	95531608	1312 304 150	PIPE		■	■	■													
96	95570365	1297 306 120	SLIDE			■	■													
97		1313 206 002	FORK			■	■													
97		1313 206 005	FORK			■	■													
97		1313 206 011	FORK	(4)		■	■													
98		1313 206 001	FORK			■	■													
98		1313 206 004	FORK			■	■													
98		1313 206 031	FORK	(4)		■	■													
99		1313 206 015	FORK			■	■													
99		1313 206 016	FORK			■	■													
99		1313 206 026	FORK	(4)		■	■													
100	95570365	1297 306 120	SLIDE			■	■													
101		1313 312 002	FORK			■	■													
102		1312 312 002	TIE ROD			■	■													
103	95531553	0634 313 671	O-RING 80X3		●	■	■													
104	95531269	1296 312 042	CYLINDER			■	■													
105	95531069	0750 112 034	GASKET 25X38X14,2		●	■	■													
106		1312 312 003	PISTON			■	■													
107	95532548	0750 112 089	RING 53X63X16,2		●	■	■													
108		0737 006 095	NUT M16X1,5			■	■													
109	95531941	0634 314 018	O-RING 59X2		■	■	■													
110	95532625	0750 132 032	CYLINDER		■	■	■													
110	95532626	0750 132 033	CYLINDER		■	■	■													

**Notes / Note :**

- (1) ONLY FOR INPUT SHAFT 1313 221 004 / 1313 221 006
- (2) REPLACED BY 1 PC 1295 301 291 + 1 PC 0634 801 055 (not illustrated) + 1 PC 0636 304 054 (not illustrated)
- (3) REPLACED BY 1 PC 1295 301 206 + 1 PC 0634 801 055 (not illustrated) + 1 PC 0636 304 054 (not illustrated)
- (4) ONLY FOR PNEUMATIC VERSION
- (5) REPLACED BY 1 PC 1296 301 130 + 1 PC 0636 304 049 (not illustrated) + 1 PC 0730 008 637 (not illustrated)
- (6) REPLACED BY 1 PC 1296 301 130 + 1 PC 0730 008 637 (not illustrated) + 2 PCS 0636 302 021 (not illustrated) + 2 PCS 0634 801 055 (not illustrated) + 1 PC 0636 304 049 (not illustrated)
- (\*)-(@)-(\$)-(&) TO BE COUPLED TOGETHER
- (A) SHORT TRAVEL SYNCHRO - RATIO 13,80-0,84
- (B) DOUBLE CONE SYNCHRO - RATIO 13,80-0,84
- (C) SHORT TRAVEL SYNCHRO - RATIO 16,47-1,00
- (D) DOUBLE CONE SYNCHRO - RATIO 16,47-1,00

Continued

Fig.	Our No.	Part No.	Description	Note	TP	AB-R. 13,80-0,84	CD-R. 16,47-1,00													
111	95532198	0730 102 072	SHIM 2,00 MM		■	■	■													
111	95532196	0730 102 062	SHIM 2,50 MM		■	■	■													
111	95532201	0730 102 099	SHIM 3,00 MM		■	■	■													
112	95530513	0630 501 147	SEEGER RING T.2,30 MM		■	■	■													
112	95530517	0630 501 148	SEEGER RING T.2,45 MM		■	■	■													
112	95530627	0630 531 064	SEEGER RING T.2,50 MM		■	■	■													
112	95530448	0630 501 114	SEEGER RING T.2,80 MM		■	■	■													
112	95530923	0630 531 065	SEEGER RING T.3,00 MM		■	■	■													
112	95531755	0630 501 151	SEEGER RING T.3,20 MM		■	■	■													
113	98530054	0750 117 010	BEARING 50,8X100X35		●	■	■													
114	95570977	1313 303 004	CONSTANT GEAR 37 T.	AB		■														
114	95570978	1296 303 037	CONSTANT GEAR 39 T.	CD	■		■													
115	95570979	1313 303 003	GEAR 4TH SPEED 39 T.	AB		■														
115	95570980	1296 303 036	GEAR 4TH SPEED 37 T.	CD	■		■													
116	95570981	1313 303 002	GEAR 3RD SPEED 28 T.	AB		■														
116		1296 303 035	GEAR 3RD SPEED 26 T.	CD			■													
117	95570983	1313 303 010	COUNTERSHAFT 19/23 T.	AB		■														
117		1313 303 011	COUNTERSHAFT 17/20 T.	CD			■													
118		1313 303 035	COUNTERSHAFT 19/23 T.	A		■														
119	98530088	0750 117 011	BEARING 50,8X104,7X39,6		●	■	■													
120		0636 900 211	SCREW M12X35			■	■													
121		1295 305 057	WASHER			■	■													
122	95570441	1295 305 056	REVERSE PIN			■	■													
123	98530035	0750 115 011	NEEDLE BEARING 45X53X21		●	■	■													
124		1313 305 002	REVERSE GEAR 21 T.	AB		■														
124		1313 305 001	REVERSE GEAR 24 T.	CD			■													
125	95530025	0730 150 064	THRUST WASHER			■	■													
126	95570897	1296 232 002	PLANET CARRIER		■	■	■													
127	95570205	1296 332 005	PIN	5 pcs.		■	■													
128	95570209	0631 329 051	LOCK PIN 5X28	5 pcs.	■	■	■													
129	95570208	0631 329 167	LOCK PIN 3X28	5 pcs.	■	■	■													
130	95570207	0501 308 981	THRUST WASHER	10 pcs.	■	■	■													
131	95570210	0730 107 168	SHIM 1,00 MM	15 pcs.	■	■	■													
132	95570211	0735 470 164	NEEDLE D.10	140 pcs.	●	■	■													
133	95570989	1313 232 003	GEAR SET (5 PCS)			■	■													

**Notes / Note :**

- (1) ONLY FOR INPUT SHAFT 1313 221 004 / 1313 221 006
- (2) REPLACED BY 1 PC 1295 301 291 + 1 PC 0634 801 055 (not illustrated) + 1 PC 0636 304 054 (not illustrated)
- (3) REPLACED BY 1 PC 1295 301 206 + 1 PC 0634 801 055 (not illustrated) + 1 PC 0636 304 054 (not illustrated)
- (4) ONLY FOR PNEUMATIC VERSION
- (5) REPLACED BY 1 PC 1296 301 130 + 1 PC 0636 304 049 (not illustrated) + 1 PC 0730 008 637 (not illustrated)
- (6) REPLACED BY 1 PC 1296 301 130 + 1 PC 0730 008 637 (not illustrated) + 2 PCS 0636 302 021 (not illustrated) + 2 PCS 0634 801 055 (not illustrated) + 1 PC 0636 304 049 (not illustrated)
- (\*)-(@)-(\$)-(&) TO BE COUPLED TOGETHER
- (A) SHORT TRAVEL SYNCHRO - RATIO 13,80-0,84
- (B) DOUBLE CONE SYNCHRO - RATIO 13,80-0,84
- (C) SHORT TRAVEL SYNCHRO - RATIO 16,47-1,00
- (D) DOUBLE CONE SYNCHRO - RATIO 16,47-1,00

Continued

Fig.	Our No.	Part No.	Description	Note	TP	AB-R. 13,80-0,84	CD-R. 16,47-1,00													
134	95570991	1295 332 086	CROWN 86 T.			■	■													
135	95570992	1313 332 020	CARRIER HUB 86 T.			■	■													
136	95570727	0730 505 056	RETAINER RING		●	■	■													
137	98530057	0750 116 165	BEARING 80X110X16		■	■	■													
138		0730 513 755	RETAINER RING T.2,50 MM			■	■													
138		0730 513 760	RETAINER RING T.2,00 MM			■	■													
139	95533565	1297 332 002	INTERMEDIATE RING		■	■	■													
140	95530682	1296 233 006	SYNCHRONIZER CONE			■	■													
141	95530648	1296 333 022	SYNCHRONIZER RING	OLD TYPE		■	■													
141	95531084	1296 333 045	SYNCHRONIZER RING	NEW TYPE		■	■													
142	95570993	1313 333 001	SYNCHRONIZER HUB			■	■													
143	95530649	1296 333 023	SLIDING SLEEVE			■	■													
144	95530886	1313 233 001	SYNCHRONIZER CONE			■	■													
145	95531469	1297 333 118	RETARDER GEAR		■	■	■													
146	95530100	1240 304 278	SLIDING BLOCK	9 pcs.		■	■													
147	95530284	0732 040 386	SPRING	9 pcs.		■	■													
148	95530270	0732 040 385	SPRING	9 pcs.		■	■													
149		1313 301 037	GASKET			■	■													
150		1296 301 129	COVER	(5)OLD		■	■													
150		1296 301 180	COVER	(5)OLD		■	■													
150		1296 301 133	COVER	(6)OLD		■	■													
150		1296 301 130	COVER	NEW		■	■													
151	95531593	1238 308 201	GASKET		●	■	■													
152	95531377	1304 301 034	COVER		■	■	■													
153		1313 338 001	SPEEDOMETER GEAR			■	■													
154	95570647	1296 235 001	SPEEDOMETER SHAFT		■	■	■													
155	95531574	0634 801 324	SPACER 30X36 DIN7603		NSS	■	■													
156		1313 238 001	PULSE DISK			■	■													
157	98530050	0750 116 002	BEARING 90X160X30		●	■	■													
158		0730 100 116	WASHER T.0,20 MM			■	■													
158	95532106	0730 003 515	WASHER T.0,60 MM		■	■	■													
159		1313 301 036	GASKET			■	■													
160		1315 231 002	COVER	OLD		■	■													
160		1315 301 220	COVER	NEW		■	■													
161	95532542	0750 111 341	OIL SEAL 105X130X12		●	■	■													

**Notes / Note :**

- (1) ONLY FOR INPUT SHAFT 1313 221 004 / 1313 221 006
- (2) REPLACED BY 1 PC 1295 301 291 + 1 PC 0634 801 055 (not illustrated) + 1 PC 0636 304 054 (not illustrated)
- (3) REPLACED BY 1 PC 1295 301 206 + 1 PC 0634 801 055 (not illustrated) + 1 PC 0636 304 054 (not illustrated)
- (4) ONLY FOR PNEUMATIC VERSION
- (5) REPLACED BY 1 PC 1296 301 130 + 1 PC 0636 304 049 (not illustrated) + 1 PC 0730 008 637 (not illustrated)
- (6) REPLACED BY 1 PC 1296 301 130 + 1 PC 0730 008 637 (not illustrated) + 2 PCS 0636 302 021 (not illustrated) + 2 PCS 0634 801 055 (not illustrated) + 1 PC 0636 304 049 (not illustrated)
- (\*)-(@)-(\$)-(&) TO BE COUPLED TOGETHER
- (A) SHORT TRAVEL SYNCHRO - RATIO 13,80-0,84
- (B) DOUBLE CONE SYNCHRO - RATIO 13,80-0,84
- (C) SHORT TRAVEL SYNCHRO - RATIO 16,47-1,00
- (D) DOUBLE CONE SYNCHRO - RATIO 16,47-1,00

Continued

Our Parts are not original but perfectly interchangeable with the O.E.M ones. All original equipment manufacturers' names, numbers, symbols and descriptions used in this catalogue are for reference purposes only.  
 Tutti i nostri particolari non sono originali ma con essi intercambiabili. Tutti i riferimenti dei costruttori originali sono usati a semplice titolo indicativo.

Fig.	Our No.	Part No.	Description	Note	TP	AB-R. 13,80-0,84	CD-R. 16,47-1,00													
162		1313 338 002	OUTPUT FLANGE			■	■													
162		1313 338 011	OUTPUT FLANGE			■	■													
163	<b>95531939</b>	0634 314 015	O-RING 68X4		●	■	■													
164	95533468	1295 332 051	THRUST WASHER		■	■	■													
165		0636 011 540	SCREW M12X60			■	■													
166	95531609	1295 332 052	SHEET STEEL		■	■	■													
167	<b>95530797</b>	1296 334 004	SLIDING BLOCK			■	■													
168		1313 234 011	SHIFT YOKE GP			■	■													
168		1313 234 012	FORK	(2)		■	■													
169	<b>95531069</b>	0750 112 034	GASKET 25X38X14,2		●	■	■													
170	<b>95532408</b>	0734 317 150	RING 80X90X4,8		●	■	■													
171	95570654	1296 334 039	PISTON		■	■	■													
172	<b>95531395</b>	0750 112 066	RING		●	■	■													
173	<b>95532408</b>	0734 317 150	RING 80X90X4,8		●	■	■													
174		0737 006 095	NUT M16X1,5			■	■													
175	<b>95531942</b>	0634 314 019	O-RING 94X3		●	■	■													
176	<b>95570227</b>	1295 334 075	CYLINDER		●	■	■													
177	<b>95531972</b>	1295 298 933	REPAIR KIT			■	■													
178		1313 301 071	HOUSING			■	■													
178		1313 301 072	HOUSING			■	■													
178		1313 301 073	HOUSING			■	■													
179		0634 310 648	OIL SEAL 70X90X10			■	■													
180		0630 501 175	SEEGER RING T.3,70 MM			■	■													
180		0630 501 061	SEEGER RING T.4,00 MM			■	■													
181	<b>95531281</b>	1295 298 956	REPAIR KIT			■	■													
182	<b>95531601</b>	1313 207 003	BRACKET		●	■	■													

**Notes / Note :**

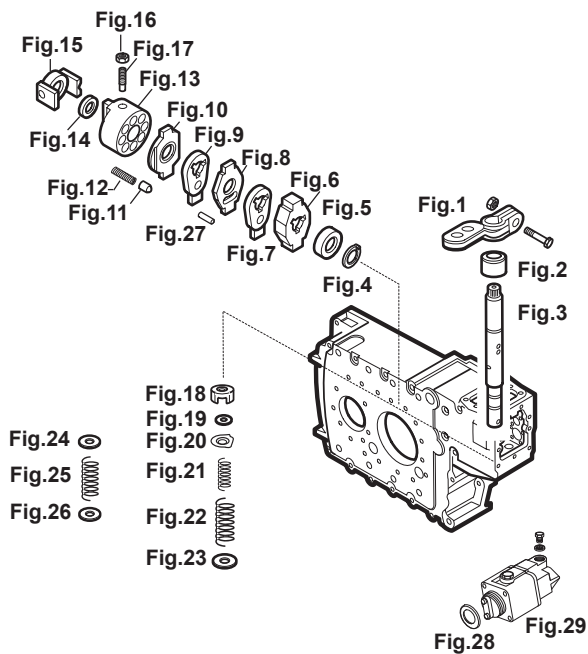
- (1) ONLY FOR INPUT SHAFT 1313 221 004 / 1313 221 006
- (2) REPLACED BY 1 PC 1295 301 291 + 1 PC 0634 801 055 (not illustrated) + 1 PC 0636 304 054 (not illustrated)
- (3) REPLACED BY 1 PC 1295 301 206 + 1 PC 0634 801 055 (not illustrated) + 1 PC 0636 304 054 (not illustrated)
- (4) ONLY FOR PNEUMATIC VERSION
- (5) REPLACED BY 1 PC 1296 301 130 + 1 PC 0636 304 049 (not illustrated) + 1 PC 0730 008 637 (not illustrated)
- (6) REPLACED BY 1 PC 1296 301 130 + 1 PC 0730 008 637 (not illustrated) + 2 PCS 0636 302 021 (not illustrated) + 2 PCS 0634 801 055 (not illustrated) + 1 PC 0636 304 049 (not illustrated)
- (\*)-(@)-(\$)-(&) TO BE COUPLED TOGETHER
- (A) SHORT TRAVEL SYNCHRO - RATIO 13,80-0,84
- (B) DOUBLE CONE SYNCHRO - RATIO 13,80-0,84
- (C) SHORT TRAVEL SYNCHRO - RATIO 16,47-1,00
- (D) DOUBLE CONE SYNCHRO - RATIO 16,47-1,00

*Our Parts are not original but perfectly interchangeable with the O.E.M ones. All original equipment manufacturers' names, numbers, symbols and descriptions used in this catalogue are for reference purposes only.*  
 Tutti i nostri particolari non sono originali ma con essi intercambiabili. Tutti i riferimenti dei costruttori originali sono usati a semplice titolo indicativo.



**16S150 Selector Mechanism**

Fig.	Our No.	Part No.	TP	Description	Note
1		1286 307 007		LEVER CONTROL ROD	
1		1250 307 666		LEVER	
2	95532736	1238 307 411	■	COVER	
3	95531264	1295 307 275		SELECTOR ROD	
3	95531263	1295 307 274		SELECTOR ROD	
3	95531258	1295 307 273		SHAFT	(*)
4	95531857	0630 532 205	■	RING	
5	95533447	1295 307 380	■	WASHER	
6	95531266	1295 307 360	■	HUB CONTROL ROD	
7	95533437	1295 307 178	■	DRIVER	
8	95533436	1295 307 176	■	HUB	
9		1295 307 174		DRIVER	
10		1295 307 627		STOP SEGMENT	
11	95570100	1295 307 243		PIN	
12	95530676	0732 040 736		SPRING	
13	95532496	1295 307 413	■	BRACKET SELECTOR ROD	
13		1295 307 591		BRACKET CONTROL ROD	(*)
14	95532104	0730 003 350	■	WASHER	
15	95531268	1295 307 265		SUPPORT CONTROL ROD	
16	95531249	0637 002 039	■	NUT M12X1,5	
17	95532373	0731 611 046	■	STUD	
18	95533455	1295 307 522	■	WASHER	
19	95532183	0730 100 214	■	WASHER	
20	95531856	0630 532 138	■	RING	
21		0732 040 392		PRESSURE SPRING	
22		0732 040 237		PRESSURE SPRING	
23	95532236	0730 104 083	■	WASHER	
24	95533455	1295 307 522	■	WASHER	(*)
25		0732 040 630		PRESSURE SPRING	(*)
26	95532236	0730 104 083	■	WASHER	(*)
27	95531862	0631 306 832	■	PIN	
28	95531009	0634 316 057	●	O-RING 36,2X3	
29	95531374	6038 202 003	■	VALVE	
29		6020 202 012		VALVE	



(\*) To be used together. Version with cover 1295 307 434

OPTIONS



## 16S150 Selector Mechanism

Fig.	Our No.	Part No.	TP	Description	Note
1	95531248	0634 307 367	●	OIL SEAL 25X35X7/10	
2	95531247	0634 300 302	●	OIL SEAL 25X35X7	
3	95570501	0730 260 330		BUSH	
4	95531870	0634 300 020	●	OIL SEAL 25X32X5	
5	95531270	1295 307 294		COVER	
5	95533445	1295 307 336	■	COVER	
6		1313 307 020		GASKET	
11	95531326	1295 307 479		COVER	
12		1313 307 003		GASKET	
13		1313 307 004		GASKET	
14	95533453	1295 307 490	■	COVER	
17		1295 307 434		COVER	

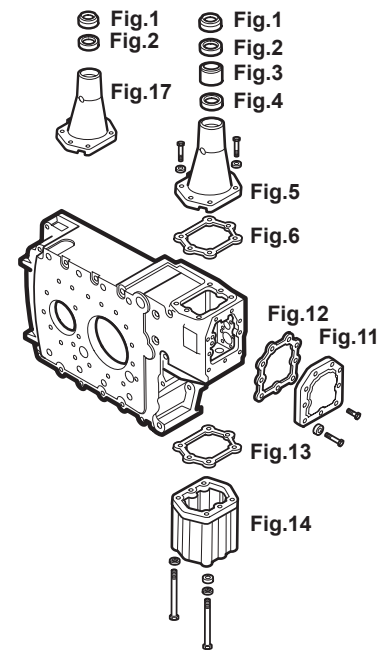
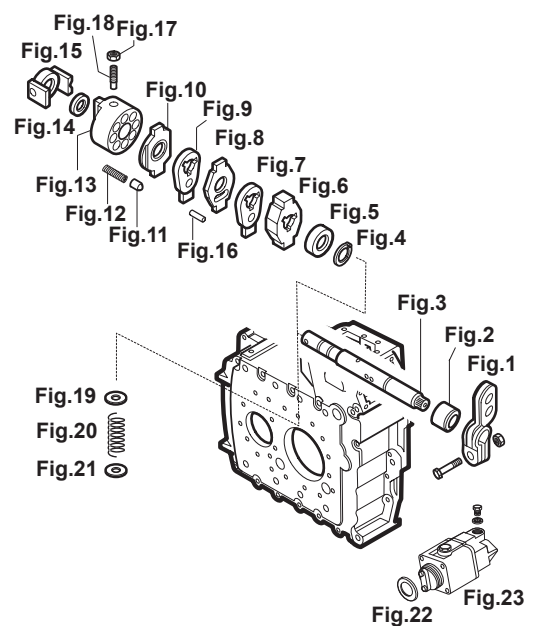
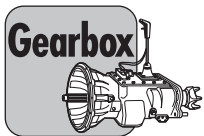


Fig.	Our No.	Part No.	TP	Description	Note
1		1250 307 666		LEVER	
2	95532736	1238 307 411	■	COVER	
3		1295 307 268		SELECTOR ROD	
4	95531857	0630 532 205	■	RING	
5	95533447	1295 307 380	■	WASHER	
6	95531266	1295 307 360	■	HUB CONTROL ROD	
7	95533437	1295 307 178	■	DRIVER	
8	95533436	1295 307 176	■	HUB	
9		1295 307 174		DRIVER	
10		1295 307 147		BRACKET	
11	95570100	1295 307 243		PIN	
12	95530676	0732 040 736		SPRING	
13		1295 307 410		BRACKET SELECTOR ROD	
14	95532104	0730 003 350	■	WASHER	
15	95531268	1295 307 265		SUPPORT CONTROL ROD	
16	95531862	0631 306 832	■	PIN	
17	95531249	0637 002 039	■	NUT M12X1,5	
18	95532373	0731 611 046	■	STUD	
19	95533455	1295 307 522	■	WASHER	
20		0732 040 237		PRESSURE SPRING	
21	95532236	0730 104 083	■	WASHER	

Fig.	Our No.	Part No.	TP	Description	Note
22	95531009	0634 316 057	●	O-RING 36,2X3	
23	95531374	6038 202 003	■	VALVE	



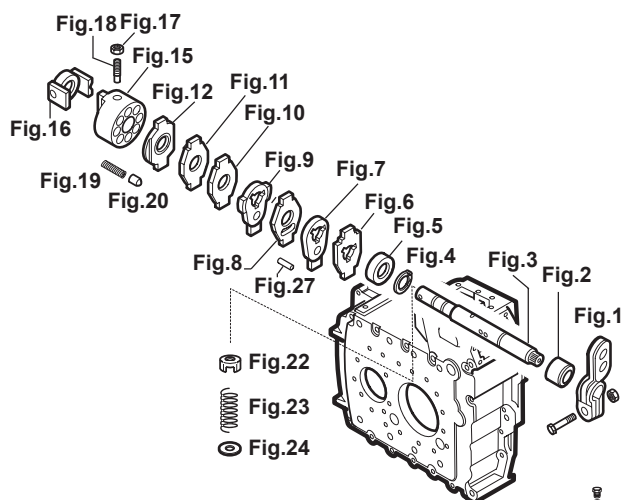


**16S150 Selector Mechanism**

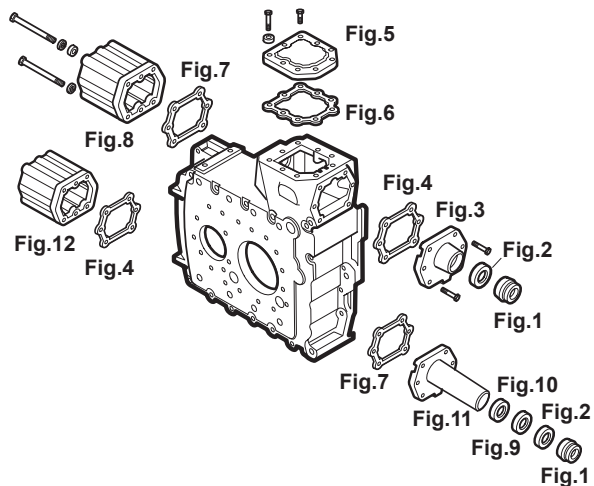
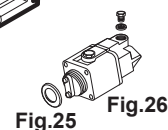
Fig.	Our No.	Part No.	TP	Description	Note
1		1297 307 076		LEVER	
1		1268 307 175		LEVER	
2	95532736	1238 307 411	■	COVER	
3		1295 307 280		SELECTOR ROD	
3	<b>95531273</b>	1295 307 278		SELECTOR ROD	(*)
4	95531857	0630 532 205	■	RING	
5		1295 307 379		WASHER	
6		1295 307 585		BRACKET	
7	95533437	1295 307 178	■	DRIVER	
8	95533436	1295 307 176	■	HUB	
9		1295 307 175		DRIVER	
10		1295 307 185		BRACKET	
11		1295 307 190		BRACKET	
12		1295 307 629		BRACKET	
15		1295 307 409		BRACKET	
16	<b>95531268</b>	1295 307 265		SUPPORT CONTROL ROD	
16		1295 307 266		SUPPORT CONTROL ROD	(*)
17	95531249	0637 002 039	■	NUT M12X1,5	
18	95532373	0731 611 046	■	STUD	
19	<b>95530676</b>	0732 040 736		SPRING	
20	<b>95570100</b>	1295 307 243		PIN	
22	95533455	1295 307 522	■	WASHER	
22		1295 307 526		WASHER	(*)
23	95532382	0732 040 765	■	PRESSURE SPRING	
24	95532236	0730 104 083	■	WASHER	
24		0730 003 740		WASHER	(*)

Fig.	Our No.	Part No.	TP	Description	Note
1	<b>95531248</b>	0634 307 367	●	OIL SEAL 25X35X7/10	
2	<b>95531247</b>	0634 300 302	●	OIL SEAL 25X35X7	
3		1295 307 434		COVER	WITH 8
4		1313 307 020		GASKET	
5	<b>95531326</b>	1295 307 479		COVER	
6		1313 307 003		GASKET	
7		1313 307 004		GASKET	
8	95533453	1295 307 490	■	COVER	
9	<b>95570501</b>	0730 260 330		BUSH	
10	<b>95531870</b>	0634 300 020	●	OIL SEAL 25X32X5	
11		1295 307 342		COVER	WITH 12
12		1295 307 440		COVER	

Fig.	Our No.	Part No.	TP	Description	Note
25	<b>95531009</b>	0634 316 057	●	O-RING 36,2X3	
26	95531374	6038 202 003	■	VALVE	
27	95531862	0631 306 832	■	PIN	

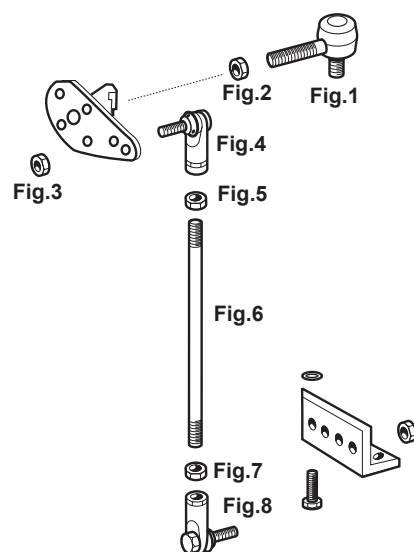


(\*) To be used together.  
Version with cover 1295 307 342



## 16S150 Selector Mechanism

Fig.	Our No.	Part No.	TP	Description	Note
1	95531280	0501 204 714	●	BALL JOINT M14X1,5 RH	L=85 MM
2		0637 006 180		NUT	M14
3		0637 011 570		NUT	M10
4	95531251	0732 107 019	●	BALL JOINT M12X1,75 LF	L=55 MM
5		0637 006 215		NUT	M12
6		0736 620 075		ROD	
7	95532037	0637 006 202	■	NUT	M12
8	95531279	0732 107 018	●	BALL JOINT M12X1,75 RH	L=55 MM



## 16S150 Kits

Fig.	Our No.	Part No.	TP	Description	Q.ty
	95531358	1297 298 955		SYNCHRONIZER KIT	
1	95570220	1312 304 027		SYNCHRONIZER CONE	1 pc.
2	95531072	1297 304 484		SYNCHRONIZER RING	2 pcs.
3	95570219	1310 304 202		SLIDING SLEEVE 3RD/4TH SP	1 pc.
4	95570241	1312 304 056		SYNCHRONIZER CONE	1 pc.
5	95570574	1297 304 436		SLIDE	3 pcs.
6	95570470	0732 040 409		PRESSURE SPRING	3 pcs.

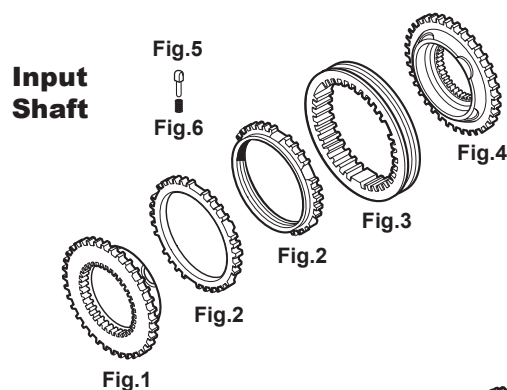


Fig.	Our No.	Part No.	TP	Description	Q.ty
	95531357	1315 298 018		SYNCHRONIZER KIT 3RD/4TH	
1	95570220	1312 304 027		SYNCHRONIZER CONE	2 pcs.
2	95531072	1297 304 484		SYNCHRONIZER RING	2 pcs.
3	95570839	1312 304 052		SYNCHRONIZER HUB 3RD/4TH	1 pc.
4	95570219	1310 304 202		SLIDING SLEEVE 3RD/4TH SP	1 pc.
5	95570574	1297 304 436		SLIDE	3 pcs.
6	95570470	0732 040 409		PRESSURE SPRING	3 pcs.

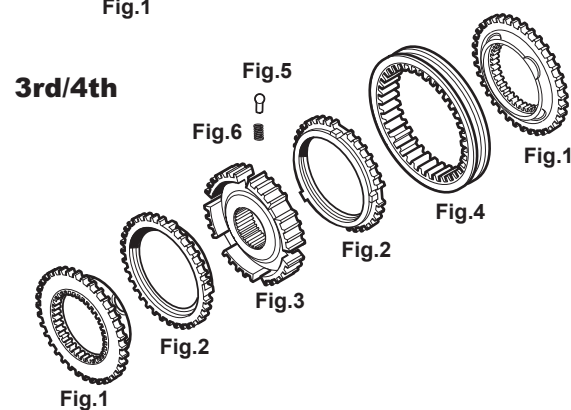
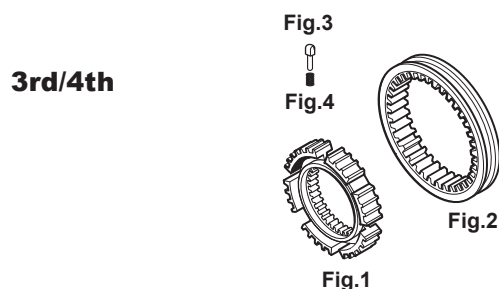
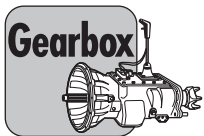


Fig.	Our No.	Part No.	TP	Description	Q.ty
	95531363	1312 204 028		SYNCHRONIZER KIT 3RD/4TH	
1	95570839	1312 304 052		SYNCHRONIZER HUB 3RD/4T	1 pc.
2	95570219	1310 304 202		SLIDING SLEEVE 3RD/4TH SP	1 pc.
3	95570574	1297 304 436		SLIDE	3 pcs.
4	95570470	0732 040 409		PRESSURE SPRING	3 pcs.







# GEARBOX: 16S150

## 16S150 Kits

Fig.	Our No.	Part No.	TP	Description	Q.ty
	<b>95531364</b>	1312 204 031		SYNCHRONIZER KIT 3RD/4TH	
1	<b>95570220</b>	1312 304 027		SYNCHRONIZER CONE	1 pc.
2	<b>95531072</b>	1297 304 484		SYNCHRONIZER RING	1 pc.

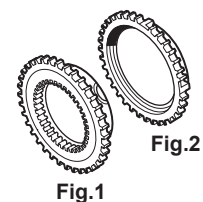
Fig.	Our No.	Part No.	TP	Description	Q.ty
	<b>95531359</b>	1313 204 003		SYNCHRONIZER KIT 1ST/2ND	
1	<b>95570217</b>	1297 304 401		SYNCHRONIZER RING	2 pcs.
2	<b>95570896</b>	1313 304 008		SYNCHRONIZER HUB	1 pc.
3	<b>95570218</b>	1316 304 078		SLIDING SLEEVE 1ST/2ND	1 pc.
4	<b>95570574</b>	1297 304 436		SLIDE	3 pcs.
5	<b>95570470</b>	0732 040 409		PRESSURE SPRING	3 pcs.

Fig.	Our No.	Part No.	TP	Description	Q.ty
		1313 298 909		SYNCHRONIZER KIT 1ST/2ND	
1	<b>95570224</b>	1313 304 009		SYNCHRONIZER CONE	2 pcs.
2	<b>95570217</b>	1297 304 401		SYNCHRONIZER RING	2 pcs.
3	<b>95570896</b>	1313 304 008		SYNCHRONIZER HUB	1 pc.
4	<b>95570218</b>	1316 304 078		SLIDING SLEEVE 1ST/2ND	1 pc.
5	<b>95570574</b>	1297 304 436		SLIDE	3 pcs.
6	<b>95570470</b>	0732 040 409		PRESSURE SPRING	3 pcs.

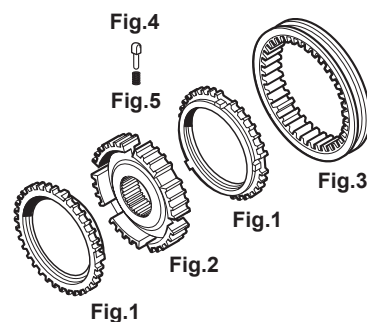
Fig.	Our No.	Part No.	TP	Description	Q.ty
	<b>95531365</b>	1313 204 008		SYNCHRONIZER KIT 1ST/2ND	
1	<b>95570896</b>	1313 304 008		SYNCHRONIZER HUB	1 pc.
2	<b>95570218</b>	1316 304 078		SLIDING SLEEVE 1ST/2ND SP	1 pc.
3	<b>95570574</b>	1297 304 436		SLIDE	3 pcs.
4	<b>95570470</b>	0732 040 409		PRESSURE SPRING	3 pcs.

Fig.	Our No.	Part No.	TP	Description	Q.ty
		1313 204 009		SYNCHRONIZER KIT 1ST/2ND	
1	<b>95570224</b>	1313 304 009		SYNCHRONIZER CONE	1 pc.
2	<b>95531085</b>	1297 304 485		SYNCHRONIZER RING	1 pc.

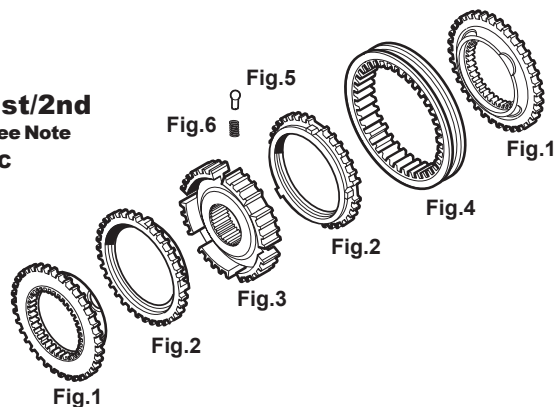
### 3rd/4th



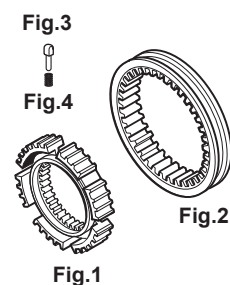
### 1st/2nd See Note AC



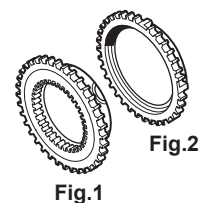
### 1st/2nd See Note AC



### 1st/2nd See Note AC

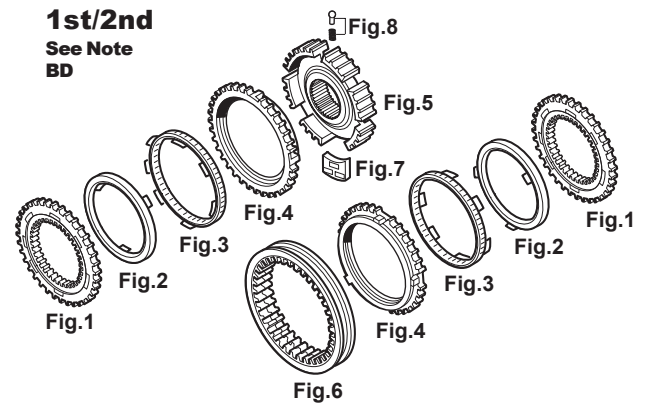


### 1st/2nd See Note AC



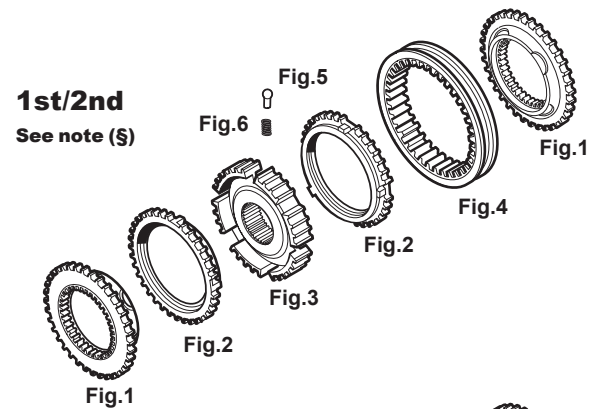
## 16S150 Kits

Fig.	Our No.	Part No.	TP	Description	Q.ty
	<b>95534365</b>	1312 298 911		SYNCHRONIZER KIT 1ST/2ND	
1	<b>95570642</b>	1312 304 106		SYNCHRONIZER CONE	2 pcs.
2	<b>95570599</b>	1268 304 424		SYNCHRONIZER CONE	2 pcs.
3	<b>95570600</b>	1268 304 494	●	SYNCHRONIZER RING	2 pcs.
4	<b>95570601</b>	1268 304 525		SYNCHRONIZER RING	2 pcs.
5	<b>95570551</b>	1312 304 158		SYNCHRONIZER HUB	1 pc.
6	<b>95570555</b>	1310 304 175		SLIDING SLEEVE	1 pc.
7	<b>95570643</b>	1312 304 159		SLIDING BLOCK	3 pcs.
8	<b>95531281</b>	1295 298 956		REPAIR KIT	1 pc.



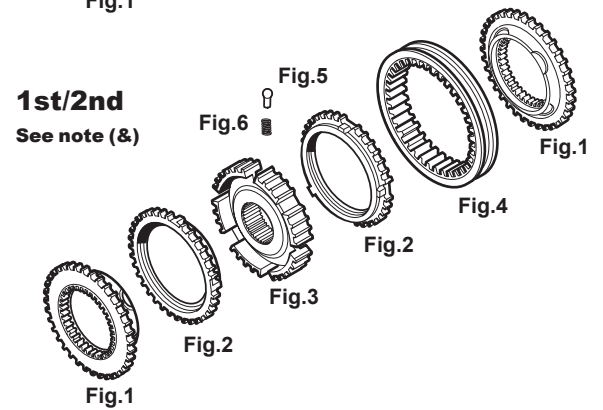
## Synchronizer Kits OLD

Fig.	Our No.	Part No.	TP	Description	Q.ty
	<b>95531705</b>	1315 298 054		SYNCHRONIZER KIT 1ST/2ND	
1	<b>95531630</b>	1316 304 146		SYNCHRONIZER CONE 1ST/2ND	2 pcs.
2	<b>95531629</b>	1316 304 150		SYNCHRONIZER RING RH	2 pcs.
3	<b>95531634</b>	1316 304 148		SYNCHRONIZER HUB 1ST/2ND	1 pc.
4	<b>95531627</b>	1315 304 136		SLIDING SLEEVE	1 pc.
5	<b>95570574</b>	1297 304 436		SLIDE	3 pcs.
6	<b>95570470</b>	0732 040 409		PRESSURE SPRING	3 pcs.



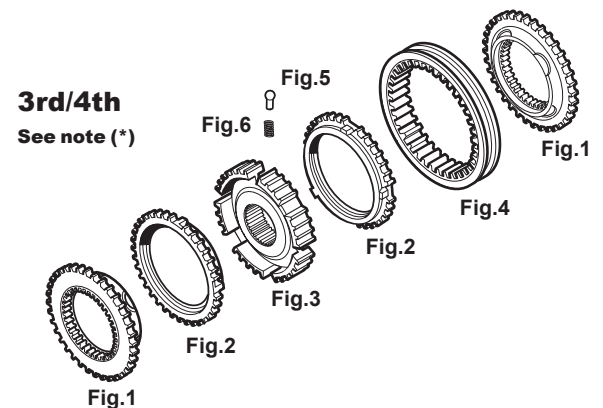
## NEW

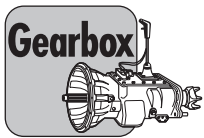
Fig.	Our No.	Part No.	TP	Description	Q.ty
	<b>95534452</b>	1315 298 060		SYNCHRONIZER KIT 1ST/2ND	
1	<b>95534407</b>	1316 304 156		SYNCHRONIZER CONE 1ST/2ND	2 pcs.
2	<b>95534388</b>	1316 304 170	●	SYNCHRONIZER RING LH	2 pcs.
3	<b>95534408</b>	1316 304 163		SYNCHRONIZER HUB 1ST/2ND	1 pc.
4	<b>95534379</b>	1316 304 169	●	SLIDING SLEEVE	1 pc.
5	<b>95570574</b>	1297 304 436		SLIDE	3 pcs.
6	<b>95570470</b>	0732 040 409		PRESSURE SPRING	3 pcs.



## OLD

Fig.	Our No.	Part No.	TP	Description	Q.ty
	<b>95531704</b>	1315 298 055		SYNCHRONIZER KIT 3RD/4TH	
1	<b>95531631</b>	1316 304 145		SYNCHRONIZER CONE 3RD/4TH	2 pcs.
2	<b>95531628</b>	1316 304 149	●	SYNCHRONIZER RING	2 pcs.
3	<b>95531633</b>	1316 304 147		SYNCHRONIZER HUB 3RD/4TH	1 pc.
4	<b>95531632</b>	1315 304 135		SLIDING SLEEVE	1 pc.
5	<b>95570574</b>	1297 304 436		SLIDE	3 pcs.
6	<b>95570470</b>	0732 040 409		PRESSURE SPRING	3 pcs.

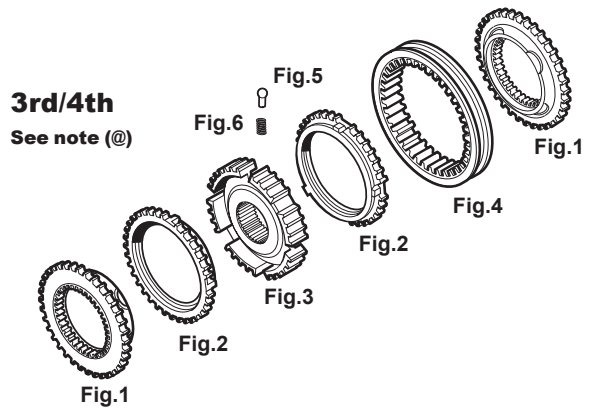




# GEARBOX: 16S150

## Synchronizer Kits NEW

Fig.	Our No.	Part No.	TP	Description	Q.ty
	<b>95534453</b>	1315 298 061		SYNCHRONIZER KIT 3RD/4TH	
1	<b>95534409</b>	1316 304 159		SYNCHRONIZER CONE 3RD/4TH	2 pcs.
2	<b>95534389</b>	1316 304 168	●	SYNCHRONIZER RING	2 pcs.
3	<b>95534410</b>	1316 304 162		SYNCHRONIZER HUB 3RD/4TH	1 pc.
4	<b>95532442</b>	1316 304 167	●	SLIDING SLEEVE	1 pc.
5	<b>95570574</b>	1297 304 436		SLIDE	3 pcs.
6	<b>95570470</b>	0732 040 409		PRESSURE SPRING	3 pcs.



## 16S150 Kits

Fig.	Our No.	Part No.	TP	Description	Q.ty
	<b>95570597</b>	1295 298 915	●	GASKET KIT	
	95534107	1313 301 038	■	GASKET	1 pc.
	95534112	1313 302 014	■	GASKET	1 pc.
		1313 306 012		GASKET	1 pc.
		1313 307 002		GASKET	1 pc.
		1313 307 020		GASKET	2 pcs.
		1313 307 003		GASKET	1 pc.
		1313 307 004		GASKET	1 pc.
		1313 307 022		GASKET	1 pc.
		1313 301 037		GASKET	1 pc.
		1313 301 036		GASKET	1 pc.
	<b>95531593</b>	1238 308 201	●	GASKET	1 pc.
		1313 307 005		GASKET	1 pc.
		1313 307 006		GASKET	1 pc.

**95570597**  
1295 298 915

Gasket Kit

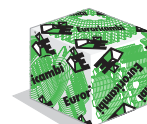


## 16S150 Kits

Fig.	Our No.	Part No.	TP	Description	Note
	95534066	1312 298 902	■	SEAL RING KIT	
	<b>95531553</b>	0634 313 671	●	O-RING 80X3	
	<b>95532548</b>	0750 112 089	●	RING 53X63X16,2	
	95531941	0634 314 018	■	O-RING 59X2	
	95531940	0634 314 017	NSS	O-RING 5,28X1,78	
	95531674	0501 310 614	NSS	GASKET	
	95532483	0634 801 013	NSS	SEAL RING	
	<b>95531069</b>	0750 112 034	●	GASKET 25X38X14,2	
	<b>95531939</b>	0634 314 015	●	O-RING 68X4	
	95531574	0634 801 324	NSS	SPACER 30X36 DIN7603	
	95532550	0750 112 097	■	RING	
		0634 313 520		O-RING	
	<b>95531943</b>	0634 314 020	●	O-RING 8X2	
	95532558	0634 801 151	NSS	WASHER 14X20	
	<b>95534377</b>	0730 008 637	●	SEAL RING 24X29	
	95531966	0634 801 250	NSS	RING 38X44	
	95531954	0634 801 074	NSS	RING 22X27	
	95532484	0634 801 028	NSS	SEAL RING 12X16	
	95531568	0634 801 062	■	SEAL RING 18X24 DIN7603	
	<b>95531009</b>	0634 316 057	●	O-RING 36,2X3	
	95531572	0634 801 205	NSS	SPACER 12X15,5 DIN7603	
	95531950	0634 801 050	■	RING 16X22	
		0634 313 805		O-RING 82X4	
	<b>95531699</b>	0501 317 536	●	RING	

95534066  
1312 298 902

Seal Ring Kit



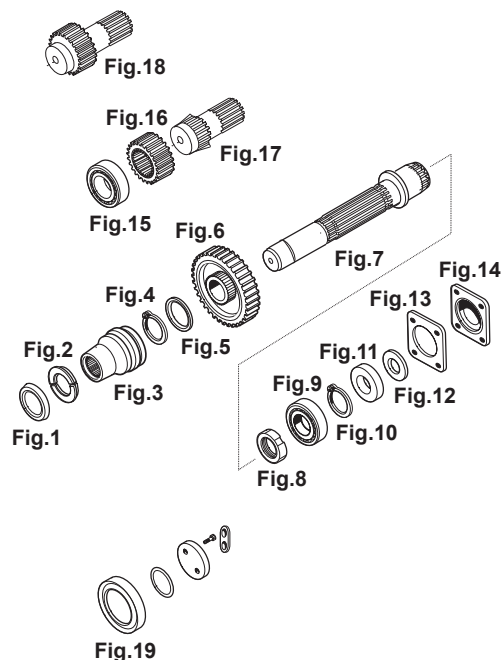


# GEARBOX: 16S150

## 16S150 P.T.O. (Power Take Off)

Fig.	Our No.	Part No.	TP	Description	Note
1		1296 313 131		RING	
2		0730 104 627		RING	
3		1296 313 238		SLEEVE	
4		0630 531 133		LOCK RING	
5		0730 104 628		WASHER	
6		1296 313 082		GEAR 33 T	(A)
6		1296 313 083		GEAR 36 T	(B)
6		1296 313 084		GEAR 38 T	(C)
6		1296 313 085		GEAR 39 T	(D)
6		1296 313 086		GEAR 46 T	(E)
7	<b>95531016</b>	1296 213 028		INPUT SHAFT 12/18 T	
8		1296 313 125		RING	
9		0735 410 139		BEARING 40X80X23	
10		0630 531 314		SEEGER RING T.2,40 MM	
10		0630 531 315		SEEGER RING T.2,30 MM	
10		0630 501 135		SEEGER RING T.2,10 MM	
10		0630 531 049		SEEGER RING T.2,00 MM	
11		7429 032 102		RING	
12		1232 304 056		SHIM 1,60 MM	
12		1232 304 054		SHIM 1,40 MM	
12		1232 304 066		SHIM 1,20 MM	
12		1232 304 062		SHIM 1,00 MM	
13		0501 315 727		GASKET	
14		1250 313 190		COVER	
15		0635 416 308		BEARING	
16		1296 313 007		GEAR 27 T	(A)
16		1296 313 008		GEAR 24 T	(B)
17		1296 313 019		SHAFT	(AB)
18		1296 313 003		SHAFT 22 T.	(C)
18		1296 313 004		SHAFT 21 T.	(D)
18		1296 313 005		SHAFT 22 T.	(E)
19	<b>95532542</b>	0750 111 341	●	OIL SEAL 105X130X12	

N130 / N220



(A-B-C-D-E) To be used together.



## 16S150 Miscellaneous

Fig.	Our No.	Part No.	TP	Description	Note
1		0501 317 403		OIL FILTER	
2	95532507	0736 305 052	■	PLUG	
3	95531966	0634 801 250	NSS	RING 38X44	

